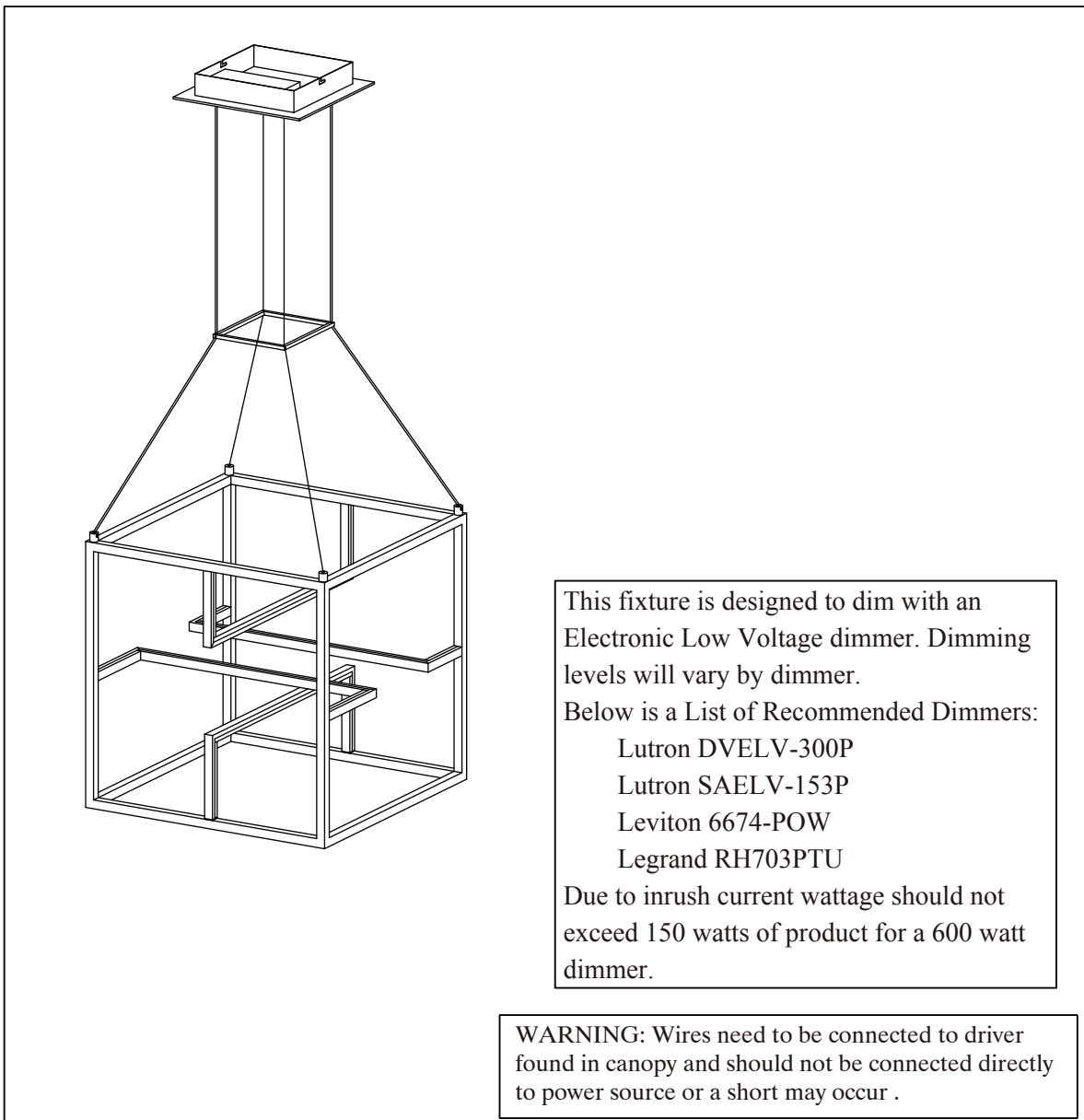




Contemporary Lighting

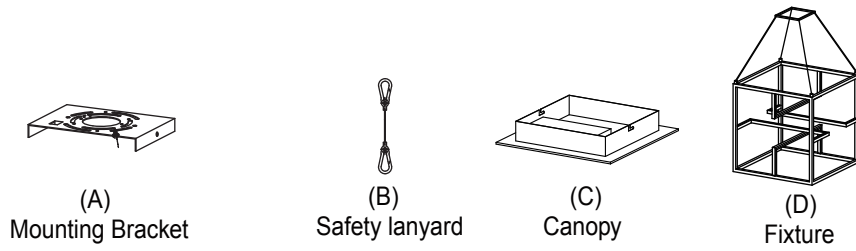
PRODUCT NAME: Chamber LED Pendant
ITEM NUMBER: E21224-BKGLD

Please consult your electrician for hanging fixture and wiring.

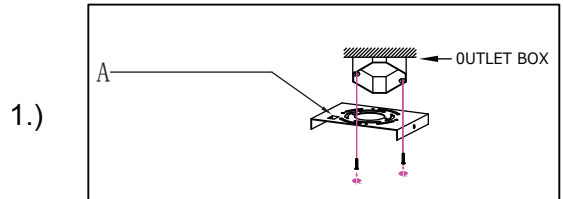
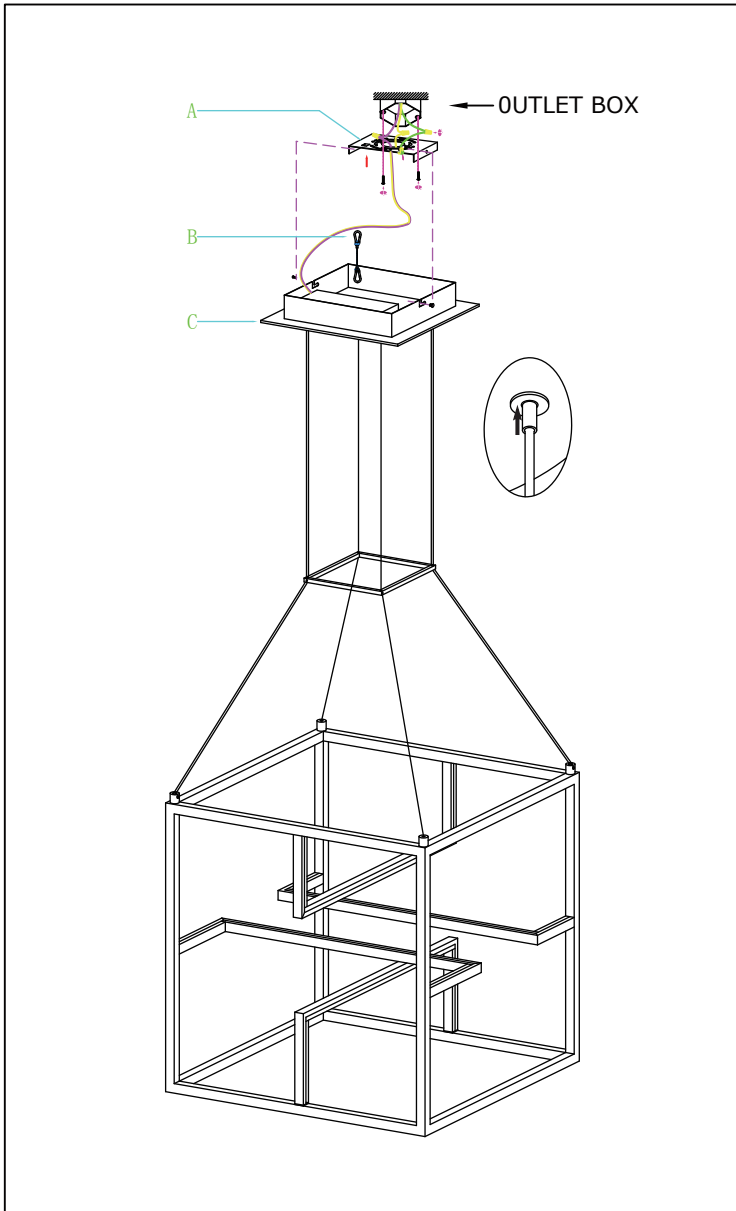


Bulbs (Integrated): LED 44W

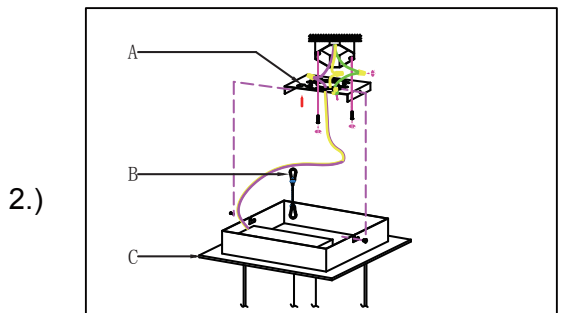
IMPORTANT: Turn off the power at the main fuse or circuit breaker box before starting installation



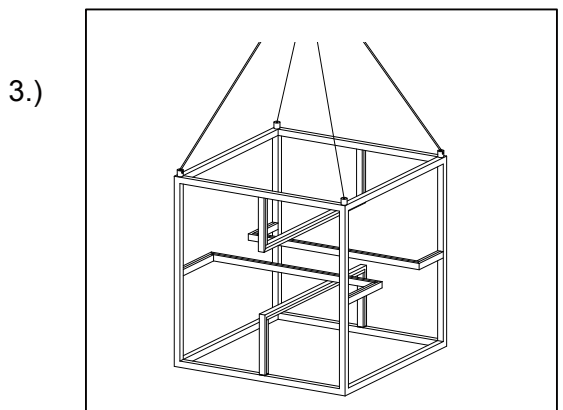
Locate all hardware & components before discarding packaging



Step.1: Remove Mounting Bracket (A) from Canopy(C) to install to electrical box.



Step.2: Connect safety lanyard(B) to Mounting Bracket(A).Wire fixture to wires in outlet box. Bare wire is for Ground. Secure canopy(C) to mounting bracket using screws on the sides of the canopy.



Step.3: Adjust wire length to desired mounting height and fixture configuration

Cleaning & Care:
Clean with soft cloth and a mild detergent.
Do not use abrasive cleaner.