

T42IT100NP

42-INCH BUILT-IN FRENCH DOOR REFRIGERATOR, 2 DRAWER

FREEDOM® COLLECTION, PANEL-READY



Also Available In:
 T42BT110NS – Pre-Assembled with Masterpiece® Handles
 T42BT120NS – Pre-Assembled with Professional Handles

FEATURES & BENEFITS

- ThermaFresh® Pro drawers optimize temperature and humidity, preserving fresh foods longer than traditional drawers
- Intuitively customize settings with the redesigned full-color touchscreen control panel. Wi-Fi connectivity enables additional control settings with the Home Connect® app.
- Flex drawer can be utilized as an additional refrigerator or freezer space for maximum versatility
- Dual ice maker provides two sizes of ice, diamond ice and cocktail ice, perfect for entertaining
- See what's inside without opening the door with cameras located in the refrigerator compartment

TEMPERATURE RANGES

Refrigerator	33°F (1°C) to 43°F (6°C)
SuperCool	34°F (1°C) for Approximately 6 Hours
Energy Saving (Economy) Mode	Refrigerator: 43°F (6°C) VitaFresh: 37°F (3°C)
Freezer	-7°F (-22°C) to 6°F (-14°C)
SuperFreeze®	-15°F (-26°C) for Approximately 8 Hours
Flex Drawer	0°F (-18°C) to 39°F (4°C)
Preset Drawer Temperatures	Freezer, Soft Freeze, Refrigerator, Beverages, Meat/Fish, Deli/Cheese, Cake

GENERAL PROPERTIES

Home Connect™ (Wi-Fi Enabled)	Yes
Flex Drawer	Yes
Carbon Air Filter	Yes
Ethylene Filters	2
Lighting	Top and Sidewall LED Theater Lighting
Dual Compressors / Evaporators	Yes
SoftClose® Drawers	Yes
Adjustable Shelves – Refrigerator	4
Shelf Material	Glass w/Metal Profile
ThermaFresh® Temperature & Humidity Managed Drawers	2
Non-slip Mats	10
Standard Door Bins – Refrigerator	4
Gallon Door Bins – Refrigerator	2
Defrost Process – Freezer	Automatic
Freezer Drawers	2
Internal Water Dispenser with Water Filter	Yes
SoftClose Door	Yes
Ice Maker with Diamond Ice System	Dual System w/Two Ice Sizes
Door Open Alarms	Yes
Full Extension Drawers @ 115° Door Opening Angle	Yes
Full Extension Drawers @ 90° Door Opening Angle	Yes
Special Modes	Sabbath, Economy, Vacation, Theater

CAPACITY

Total Capacity (cu. ft.)	23.1 cu. ft.
Refrigerator / Freezer Capacity (cu. ft.)	15.3 / 7.8 cu. ft.

TECHNICAL DETAILS

Current (A) / Volts (V) / Frequency (Hz)	15 A / 110-120V / 60 Hz
Power Cord Length (in.)	118
Plug Type	120V-3 Prong

DIMENSIONS & WEIGHT

Appliance Dimensions (H x W x D) (in.)	83 9/16" x 41 1/4" x 24"
Flush Install Cutout Size (H x W x D) (in.)	84" x 42" x 25"
Net / Gross Weight (lbs.)	554 / 603 lbs.

EFFICIENCY

ENERGY STAR® Certified	Yes
Annual Energy Consumption	635 kWh / yr*

*Estimated annual energy consumption. Exact usage may vary.

PRELIMINARY

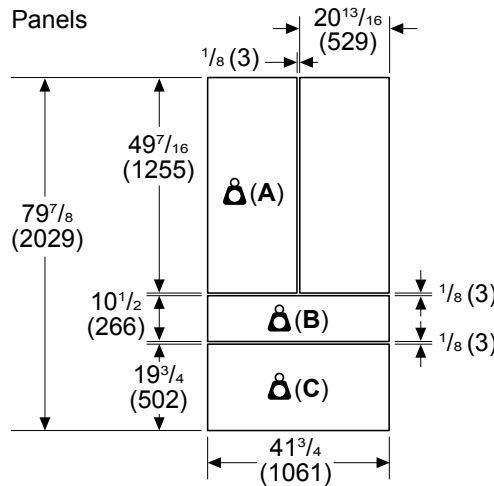
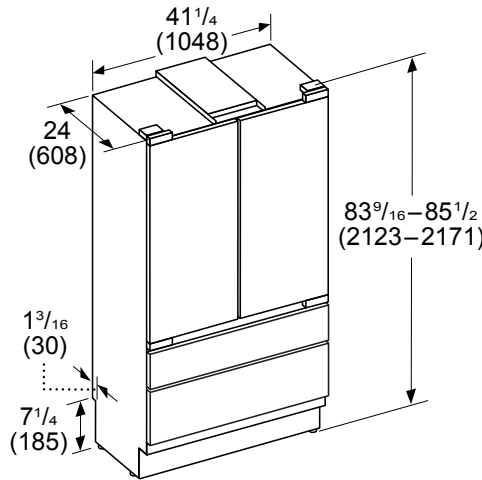
T42IT100NP

42-INCH BUILT-IN FRENCH DOOR REFRIGERATOR, 2 DRAWER

FREEDOM® COLLECTION, PANEL-READY

PRODUCT AND PANEL DIMENSIONS

Measurements in inches (mm)



A: Max. weight 125 lbs (57 kg) per panel

B: Max. weight 97 lbs (44 kg) per panel

C: Max. weight 44 lbs (20 kg) per panel

PLANNING NOTES

Adjustable Height: The appliance height is adjustable. Recommended height for a standard 84" niche is 83 7/8". The minimum height with leveling legs fully retracted is 83 9/16". The maximum height with leveling legs fully extended is 85 1/2".

Rear Appliance Recess: The recessed area at the base can be used for routing water and electric supply lines to the appliance.

ACCESSORIES (OPTIONAL)



REPLFLTR55
(PART NO. 11032531)
UltraClarityPro® Water Filter



ACLETHST10
(PART NO. 17006999)
Ethylene Filter Starter Kit



ACLETHRF10
(PART NO. 17007000)
Ethylene Filter Refill



HEATRKIT20
Freedom Heater Kit

COMBIKIT10

Combination kit for use when installing an additional column refrigerator side-by-side, such as a wine column paired with a bottom freezer refrigerator or two bottom freezer refrigerators installed side-by-side.



MS3642IT10
42" Masterpiece Handle Kit



PR3642IT10
42" Professional Handle Kit

TFL42IT100
42" Stainless Steel Panel Set

WARRANTY

Limited, Entire Appliance, Parts and Labor on Any Part of the Refrigerator that Fails Because of a Manufacturing Defect	2 Year
Limited Warranty for Sealed Refrigeration System*; Parts and Labor	3rd to 6th Year
Limited Warranty for Sealed Refrigeration System*; Parts Only	7th to 12th Year
Limited Warranty for Stainless Steel Rust-Through	Lifetime

*Sealed refrigeration system includes compressor, evaporator, condenser, dryer / strainer and connection tubing

These warranties give you specific legal rights and you may have other rights that vary from state to state. Limited warranty from date of delivery. For complete warranty details, refer to your Use & Care manual, or ask your dealer.

Specifications are for planning purposes only. Refer to installation instructions and consult your countertop supplier prior to making counter opening. Consult with a heating and ventilation engineer for your specific ventilation requirements. For the most detailed information, refer to installation instructions accompanying product or write to Thermador indicating the model number. Specifications are correct at time of printing. Thermador reserves the right to change product specifications or design without notice. Some models are certified for use in Canada. Thermador is not responsible for products that are transported from the U.S. for use in Canada.