

Installation Instructions

ZKBSN720NSS - Stainless Steel Unification Kit and ZKBFN720NII Panel Unification Kit

To consult a French or Spanish version of this instruction manual, visit our Monogram.com website. In Canada, visit Monogram.ca.

This kit provides for the installation of a unified grille panel for a framed or overlay custom panel. The panel will span the combined width of a side by side installation.

Completion Time: Allow approximately 2 hours to install this kit.

IMPORTANT: 2 People are required to install this kit. **Disconnect power before you begin.**

CONTENTS:

DESIGN GUIDE

STANDARD INSTALLATION - Case Flush to Cabinet with Proud Doors

The Installation Space	2
Dimensions and Clearances	2
Grille Panel Dimensions	3

DESIGN GUIDE

FLUSH INSTALLATION - Case Inset to Cabinet with Flush Doors

The Installation Space	3
------------------------------	---

INSTALLATION INSTRUCTIONS

MATERIALS	4
GROUNDING THE REFRIGERATOR	5
STEP 1. REMOVE PACKAGING	6
STEP 2. INSTALL WATER LINES	6
STEP 3. INSTALL NEW CENTER TRIM	7
STEP 4. REMOVE BOTH GRILLE PANEL FRAMES	7
STEP 5. INSTALL SIDE PANELS	7
STEP 6. INSTALL ANTI-TIP BRACKET	8
STEP 7. POSITION REFRIGERATOR AND INSTALL TOP TRIM	9

STEP 8. LEVEL REFRIGERATOR	10
STEP 9. INSTALL ANTI-TIP BRACKET	11
STEP 10. SECURE REFRIGERATOR TO CABINETRY	13
STEP 11A. INSTALL UNIFIED PANEL FRAME ..	14
STEP 11B. INSTALL STAINLESS STEEL GRILLE PANEL	15
STEP 12. INSTALL CENTER TRIM STRIP	15
STEP 13. ADJUST DOOR SWING	15
STEP 14. CHECK AND CORRECT DOOR ALIGNMENT	16
STEP 15. INSTALL GRILLE BASE	18
STEP 16. CONNECT WATER SUPPLY	18
STEP 17. CONNECT POWER	19
STEP 18A. INSTALL STAINLESS STEEL TOEKICK	19
STEP 18B. INSTALL CUSTOM TOEKICK FOR STANDARD INSTALLATION	19
STEP 18C. INSTALL CUSTOM TOEKICK FOR FLUSH INSET INSTALLATION	19


BEFORE YOU BEGIN

Read these instructions completely and carefully.

- **IMPORTANT** – Save these instructions for local inspector’s use. Observe all governing codes and ordinances.
- **Note to Installer** – Be sure to leave these instructions with the Consumer.
- **Note to Consumer** – Keep these instructions with your Owner’s Manual for future reference.

If you received a damaged unit, you should immediately contact your dealer or builder.

Skill Level – Installation of this unit requires basic mechanical, carpentry and plumbing skills. Proper installation is the responsibility of the installer. Product failure due to improper installation is not covered under the Monogram Warranty. See the Owner’s Manual for warranty information.

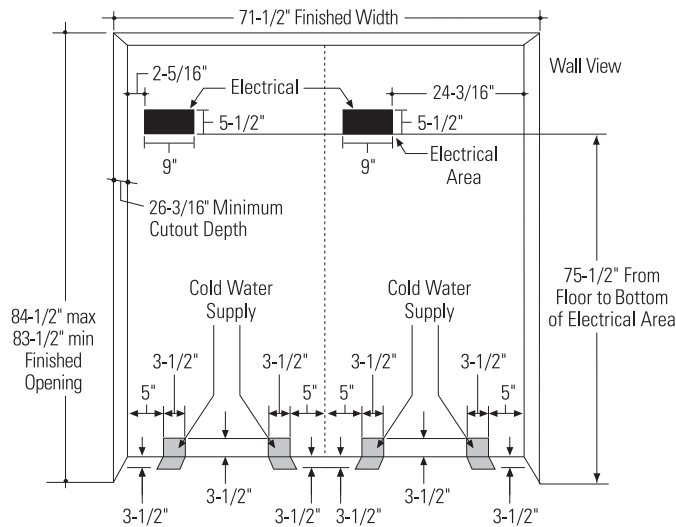
⚠ WARNING  **Fire or Explosion Hazard.** Keep flammable materials and vapors away from appliance. Failure to do so can result in fire, explosion, or death.

⚠ WARNING To reduce the risk associated with choking, do not allow children under 3 years of age to have access to small parts during the installation of this product.

DESIGN GUIDE - STANDARD INSTALLATION

THE INSTALLATION SPACE

The installation space must be 71-1/2" wide.



Water and Electrical Locations

The water and electrical locations for each product must be located as shown.

The cutout depth must be 24"

The refrigerator will project forward, slightly beyond adjacent cabinetry, depending on your installation.

Cutout depth beneath a soffit:

When installed beneath a soffit, the soffit cannot exceed the 24" installation depth shown. The top case trim overlaps the bottom of the soffit.

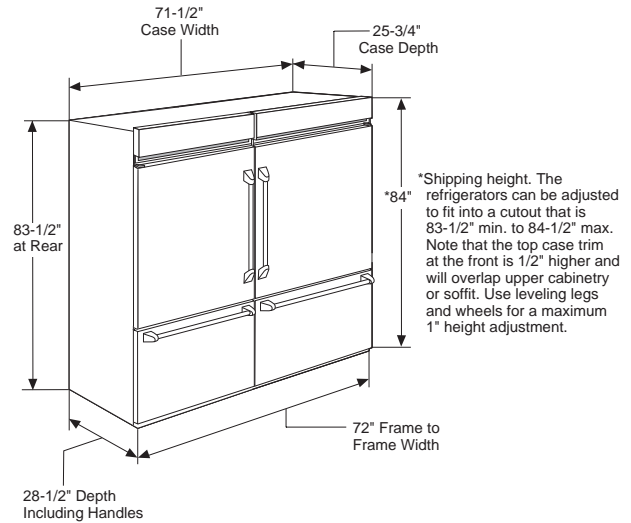
Additional Specifications

- A separate 115 volt, 60Hz, 15 or 20 amp power supply is recommended for each product. An individual properly grounded branch circuit or circuit breaker is recommended. Install properly grounded 3-prong electrical receptacles recessed into the back wall. Electrical must be located on rear wall as shown.

NOTE: GFI (ground fault interrupter) is not recommended.

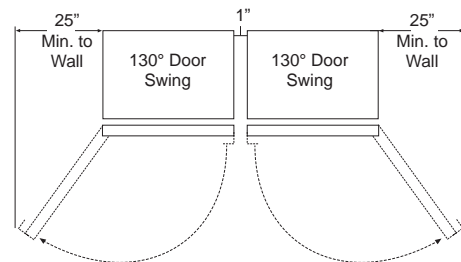
- Both water lines can enter the opening through the floor or back wall. Route SmartConnect™ kit or 1/4" O.D. copper tubing between the cold water line and the water connection location. The tubing should be long enough to extend to the front of the refrigerator. Installation of an easily accessible shut-off valve in the water line is required.

DIMENSIONS AND CLEARANCES



Product and Clearances

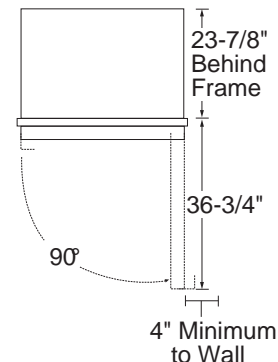
These refrigerators are equipped with a 3-position door stop. The factory set 115° door swing can be adjusted to 90° if clearance to adjacent cabinets or walls is restricted.



Allow 25" minimum clearance for a full 130 door swing. Allow 15" for pan removal.

5" minimum clearance is required when door swing is adjusted to 90. If the 90 door stop position is used, pan access is maintained, but pan removal is restricted.

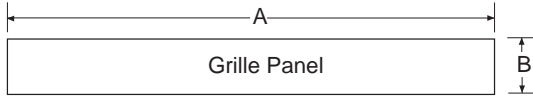
See illustrations to determine door swing interaction with adjacent cabinets or countertops.



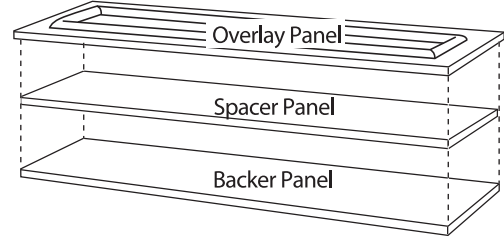
DESIGN GUIDE - STANDARD INSTALLATION

REQUIRED DIMENSIONS FOR GRILLE PANELS

Panels must be cut to the dimensions shown.



Assemble the overlay panels as shown, using glue and screws. Center the spacer panel on the backer panel. Center the overlay panel on the backer and spacer panel.



IMPORTANT NOTE: The maximum weight for the unified grill is 25 pounds.

Framed Panel Dimensions		
1/4" (0.63 cm)	A (Width)	B (Height)
Framed Panel	69-7/8" (177.48 cm)	8-7/8" (22.54 cm)

Overlay Panel Dimensions		
1/4" (0.63 cm)	A (Width)	B (Height)
Backer Panel	69-7/8" (177.48 cm)	8-7/8" (22.54 cm)
0.10" (0.25 cm)	68-1/2" (97.79 cm)	7-5/8" (20 cm)
Spacer Panel		
3/4" (1.9 cm)	70-1/8" (178.12 cm)	9" (22.86 cm)
Overlay Panel		

DESIGN GUIDE - FLUSH INSTALLATION

INSTALLATION SPACE

See ZKFN Kit for Installation Space, Unified Door Panel Dimensions, Unified Grille Panel Dimensions, Side Cleats, and Toe Kick Dimensions.

INSTALLATION INSTRUCTIONS

Tools Required:

- Tinsnips to cut banding
- Stepladder
- Bucket
- Level
- Appliance dolly
- Tubing cutter
- 7/16" open-end wrench
- #1 and #2 Phillips screwdrivers
- Drill and appropriate bits
- 5/16", 7/16" socket
- Safety glasses
- 1-1/4" open-end wrench
- Pliers
- 1/4" ratchet or 1/4" angled wrench
- Tape measure
- Gloves to protect against sharp edges

Hardware Supplied:

- Water filter bypass plug
- Anti-tip brackets
- 1/4" nut and ferrule

Parts List:

- A. Top trim
- B. Left inside case trim
- C. Right inside case trim
- D. Center U-shape trim
- E. Grille base wrap
- F. Grille panel
- G. Foam spacer pads (6)
- H. Toekick
- HH. Toekick skirt
- I. Phillips screws (28)
- J. Package of 12 plastic spacers
- K. 2 Corner trim brackets
- L. Black #8-32 x 3/8" screws (12)
- M #6-32 x .340 screws (4)

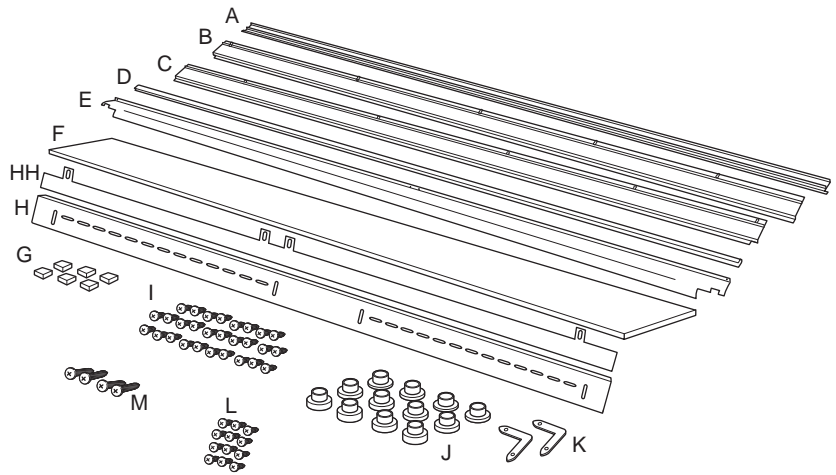
Materials Required:

- 71" long 2x4 for Anti-Tip support
- 1/4" copper water line tubing or 2 SmartConnect™ Refrigerator Tubing kits
- 2 Water shut-off valves
- Screws to secure refrigerator to cabinetry
- Stick-on hook and loop fastener strips for 1/4" side panels.

Flooring:

For proper installation, this refrigerator must be placed on a level surface of hard material that is at the same height as the rest of the flooring. This surface should be strong enough to support a fully loaded refrigerator, or approximately 2,400 lbs.

NOTE: Protect the finish of the flooring. Cut a large section of the cardboard carton and place under the refrigerator where you are working.



INSTALLATION INSTRUCTIONS

GROUNDING THE REFRIGERATOR

⚠ WARNING  **Electrical Shock Hazard.**

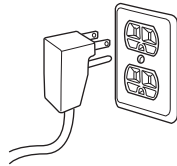
Failure to follow these instructions can result in death, fire, or electrical shock.

The power cord of this appliance is equipped with a 3-prong (grounding) plug which mates with a standard 3-prong (grounding) wall receptacle to minimize the possibility of electric shock hazard from this appliance.

Have the wall outlet and circuit checked by a qualified electrician to make sure the outlet is properly grounded.

Where a standard 2-prong wall outlet is encountered, it is your personal responsibility and obligation to have it replaced with a properly grounded 3-prong wall outlet.

DO NOT, UNDER ANY CIRCUMSTANCES, CUT OR REMOVE THE THIRD (GROUND) PRONG FROM THE POWER CORD.



DO NOT USE AN ADAPTER PLUG TO CONNECT THE REFRIGERATOR TO A 2-PRONG OUTLET.

DO NOT USE AN EXTENSION CORD WITH THIS APPLIANCE.

CONEXIÓN A TIERRA DEL REFRIGERADOR

⚠ ADVERTENCIA  **Riesgo de Descarga Eléctrica**

Si no se siguen estas instrucciones, se podrá producir la muerte, incendios o descargas eléctricas.

El cable de corriente de este electrodoméstico cuenta con un enchufe de 3 cables (conexión a tierra) que se conecta a un tomacorriente de pared estándar de 3 cables (conexión a tierra) para minimizar el riesgo de posibles descargas eléctricas por parte del mismo.

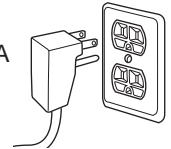
Contrate a un electricista calificado para que controle el tomacorriente y el circuito eléctrico, a fin de asegurar que el enchufe esté correctamente conectado a tierra.

En caso de contar con un tomacorriente de pared de 2 cables, es su responsabilidad y obligación reemplazarlo por un tomacorriente de pared de 3 cables correctamente conectado a tierra.

NUNCA, BAJO NINGUNA CIRCUNSTANCIA, CORTE NI ELIMINE EL TERCER CABLE (TIERRA) DEL CABLE DE CORRIENTE.

NO USE UN ENCHUFE ADAPTADOR PARA CONECTAR EL REFRIGERADOR A UN TOMACORRIENTE DE 2 PATAS.

NO USE UN PROLONGADOR CON ESTE ELECTRODOMÉSTICO.



MISE À LA TERRE DU RÉFRIGÉRATEUR

⚠ AVERTISSEMENT  **Risque de choc électrique.**

Le non-respect de ces instructions peut entraîner des risques d'incendies, des chocs électriques ou la mort.

Le cordon d'alimentation de cet appareil est équipé d'une fiche à trois broches (pour une mise à la terre) qui s'adapte à la prise de courant standard à 3 broches (pour une mise à la terre) pour minimiser les risques de chocs électriques par cet appareil.

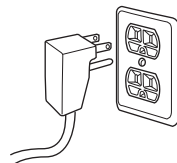
Faites vérifier la prise murale et le circuit électrique par un électricien qualifié pour s'assurer que le système est correctement mis à la terre.

Dans le cas d'une prise biphasee, l'installateur a la responsabilité et l'obligation de la remplacer par une prise triphasée correctement mise à la terre.

NE COUPEZ PAS OU N'ENLEVEZ PAS, SOUS AUCUN PRÉTEXTE, LA TROISIÈME BROCHE DE MISE À LA TERRE DU CORDON D'ALIMENTATION.

N'UTILISEZ PAS D'ADAPTATEUR POUR BRANCHER LE RÉFRIGÉRATEUR À UNE PRISE BIPHASÉE.

N'UTILISEZ PAS DE RALLONGE AVEC CET APPAREIL.



INSTALLATION INSTRUCTIONS

STEP 1 REMOVE PACKAGING

⚠ WARNING Tip Over Hazard.

The refrigerator is much heavier at the top than at the bottom—be careful when moving. When using a hand truck, handle from the side only.

⚠ AVERTISSEMENT Risque de

basculement Le réfrigérateur est beaucoup plus lourd en haut qu'en bas. Il faut être prudent lors des déplacements. Si un diable est utilisé, il faut soulever le réfrigérateur sur le côté seulement.

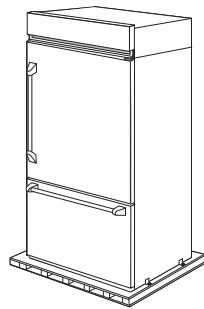
⚠ ADVERTENCIA Riesgo de Caídas

El refrigerador es mucho más pesado en su parte superior que en su parte inferior – tenga cuidado al moverlo. Al usar un carro manual, sosténgalo de costado únicamente.

- Carefully cut banding at the top and bottom, remove the outer carton.
- Slide out the back corner posts (2).
- Slide the carton off the top of the cabinet.

NOTE: IT IS NOT NECESSARY TO LAY THE CABINET DOWN IN ORDER TO REMOVE THE SKID!

- The unit is secured to the skid with 4 slotted tie-down straps. Remove the four 5/16" bolts from the base channels in the tie-downs.
- Remove the four 7/16" bolts securing the straps to the skid.



NOTE: DO NOT ATTEMPT TO ROLL UNIT OFF SKID.

- The support blocks on the bottom of the refrigeration case must be removed before the refrigerator is taken off the skid or damage will occur. Carefully tilt the refrigerator and slide the blocks out from beneath.
- Remove the tape from the leveling legs.
- Lift the refrigerator off the skid with an appliance dolly. Handle from the sides.

STEP 2 INSTALL WATER LINES

⚠ WARNING Connect to potable water supply only.

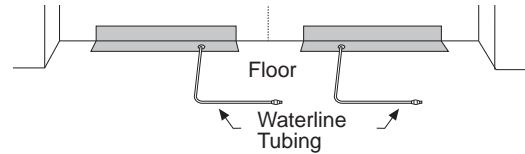
⚠ AVERTISSEMENT Raccordez l'appareil à une alimentation d'eau potable seulement.

⚠ ADVERTENCIA Realice la conexión a un suministro de agua potable únicamente.

- A cold water supply is required for automatic icemaker operation. The water pressure must be between 40 and 120 p.s.i. (275-827 kPa).

STEP 2 INSTALL WATER LINES

- Route 1/4" OD copper or SmartConnect™ plastic tubing between house cold water line and the water connection location.
- Tubing should be long enough to extend to the front of the refrigerator. Allow enough tubing to accommodate bend leading into the water line connection.



NOTE: The only Monogram-approved plastic tubing is supplied in the SmartConnect™ Refrigerator Tubing kits. Do not use any other plastic water supply line because the line is under pressure at all times. Other types of plastic may crack or rupture with age and cause water damage to your home.

SmartConnect™ Refrigerator Tubing Kits are available in the following lengths:

- | | |
|-------------------------|--------------------------|
| 2' (.6 m) - WX08X10002 | 15' (4.6 m) - WX08X10015 |
| 8' (2.4 m) - WX08X10006 | 25' (7.6 m) - WX08X10025 |

Shut off the main water supply.

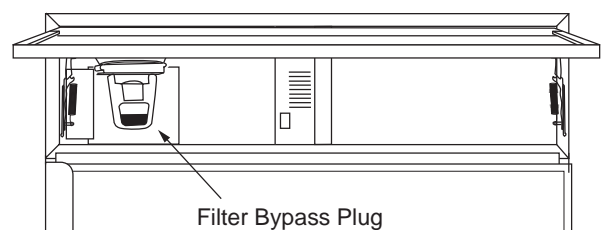
Turn on the nearest faucet long enough to clear the line of water.

- Install a shut-off valve between the icemaker water valve and cold water pipe in a basement or cabinet. The shut-off valve should be located where it will be easily accessible.
- Turn on the main water supply and flush debris. Run about a quart of water through the tubing into a bucket. Shut off water supply at the shut-off valve.

NOTE: Saddle type shut-off valves are included in many water supply kits, but are not recommended for this application.

NOTE: Commonwealth of Massachusetts Plumbing Codes 248CMR shall be adhered to. Saddle valves are illegal and use is not permitted in Massachusetts. Consult with your licensed plumber.

If the water supply to the refrigerator is from a Reverse Osmosis Water System, use the refrigerator's filter bypass plug. Using the refrigerator's water filtration cartridge with the RO filter can result in hollow ice cubes.

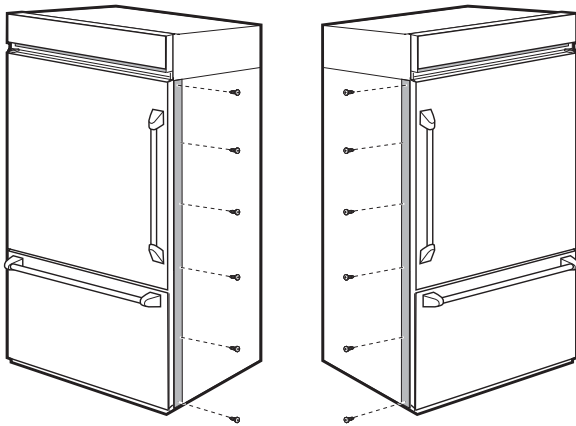


INSTALLATION INSTRUCTIONS

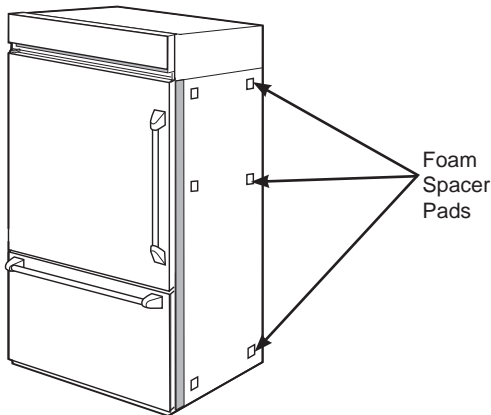
STEP 3 INSTALL NEW CENTER TRIM

NOTICE: Handle parts with care to avoid scratching.

- A. Remove the factory installed inside case trims and top case trims.
- B. Install inside case trims (B & C) with notches toward the bottom. Install screws (I) through 5 slots on each trim.



- C. Apply the supplied foam spacer pads (G) to the mating side of one product as shown.

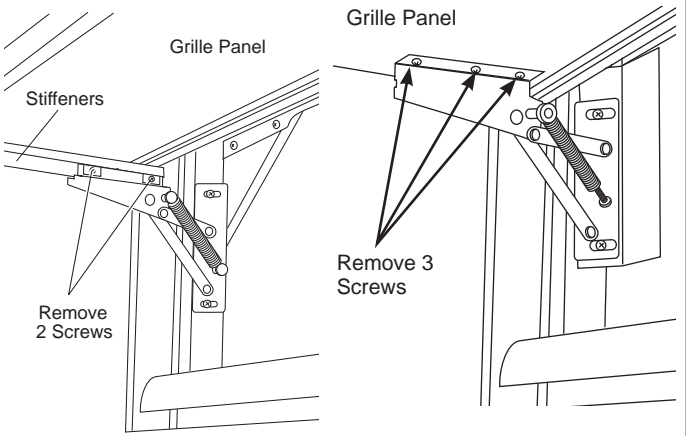


NOTE: Flush inset installations require Kit ZKFN. The ZKFN Kit includes hinge side case trims that should be installed at this step. The hardware required to install these trims is included in the ZKFN Kit.

STEP 4 REMOVE BOTH GRILLE PANEL FRAME

- Remove 2 or 3 screws holding the grille panel to the hinge on each side. Lift grille panel off the hinges. Discard both grille panels. Retain screws or use (L) screws supplied.

Leave hinges in the open position. Do not push hinges back.

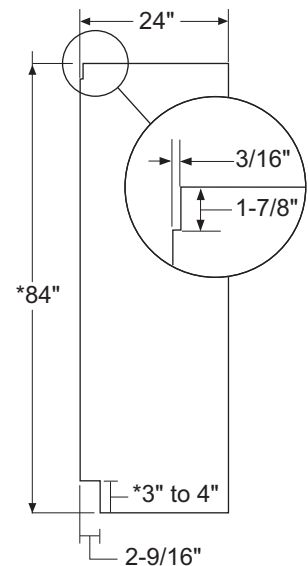


STEP 5 INSTALL SIDE PANELS

Side panels must be used whenever the sides of the refrigerator will be exposed. The 1/4" (0.63 cm) side panels will slip into the side case trim. Secure the panels to the refrigerator with stick-on hook and loop fastener strips. Order the side panels from the cabinet manufacturer.

- Cut a notch in the top front corner as shown to allow clearance for corner keys in the front side trim.

* Depending on installation height.



INSTALLATION INSTRUCTIONS

STEP 6 INSTALL ANTI-TIP BRACKET

⚠ WARNING



Tip Over Hazard.

These refrigerators are top heavy, especially with any doors open, and must be secured to prevent tipping forward which could result in death or serious injury. Read and follow the entire installation instructions for securing the refrigerator with the anti-tip system.

⚠ AVERTISSEMENT



Risque de basculement

Ces réfrigérateurs présentent une partie supérieure lourde, en particulier avec une porte ouverte; ils doivent donc être fixés pour prévenir le basculement vers l'avant et le risque concomitant de blessure grave ou fatale. Lisez et suivez les instructions d'installation complètes pour l'installation du système anti-basculement.

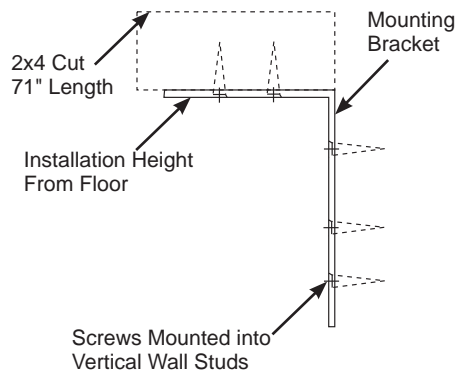
⚠ ADVERTENCIA



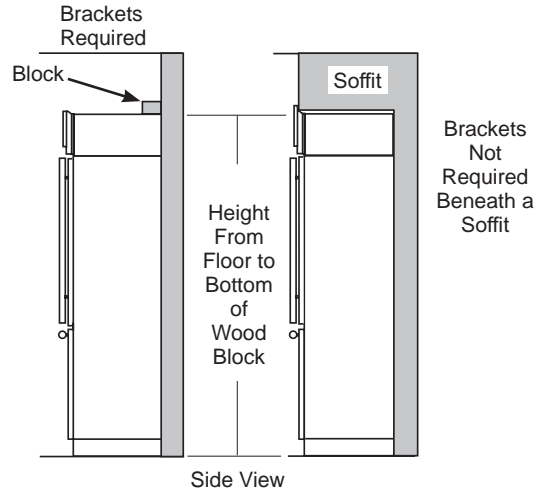
Riesgo de Caídas

Estos refrigeradores son inestables, especialmente cuando una puerta se encuentre abierta, y deberán estar asegurados a fin de evitar caídas hacia adelante que podrían resultar en la muerte o en lesiones graves. Lea y siga las instrucciones de instalación en su totalidad para asegurar el refrigerador con el sistema anti volcaduras.

- Cut a 2" x 4" x 71" block and secure the block to the mounting brackets provided using #12 or #14 wood screws.



- Secure the bracket with wood block to the back wall so that it is 84" (or your installation height) from the finished floor. Use #12 or #14 wood screws. See illustration.



- Screws must penetrate at least one inch into vertical wall studs.
- Before pushing the refrigerator into the opening, plug the power cord into the receptacle. Open the grille panel and reach into the opening at the back to grasp the power cord. Pull the power cord into the opening as you push the refrigerator back.
- Gently push refrigerator into the opening with hands against front corners.

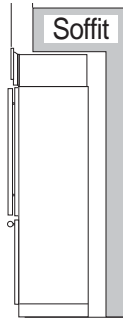
IMPORTANT: When the refrigerator is installed under a soffit or if there is not enough height for this method of security, brackets cannot be used. Proceed to step 8 to level the refrigerator and then to step 10 to secure refrigerator to cabinets. The refrigerator must be secured to prevent tipping.

INSTALLATION INSTRUCTIONS

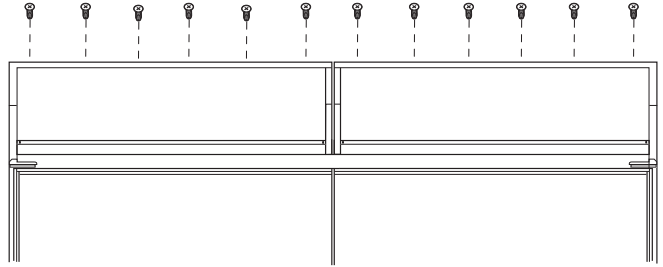
STEP 7 POSITION REFRIGERATOR AND INSTALL TOP TRIM

- Before pushing the refrigerators into the opening, plug the power cords into the receptacles. Reach into the top opening to grasp the power cord. Pull the power cord into the opening as you push the refrigerator back.
- With hands against front corners, push one refrigerator part-way into the opening. The refrigerator should be approximately 8" forward of the back wall.
- Gently push the second refrigerator next to the other. The doors should be flush to each other and the inside trims together.
- Install corner bracket (K) into each side of the top trim (A). Use 4 screws (M) if needed.
- Place the top trim across the top of the refrigerators and slip the corner brackets into the outside case trims.

Approx. 8"



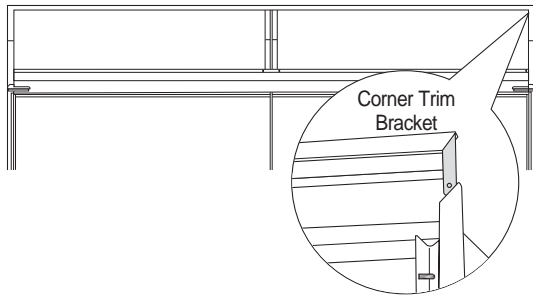
- Install 8 screws (I) through the top of the trim and into the top case.
- Check to be sure the inside trims are aligned top and bottom. There should be a slight gap between the case trims.
- Remove the Grill Base wraps. 6 screws will be removed from each grille base wrap. Keep the screws for future steps.



PUSH REFRIGERATOR INTO OPENING

NOTE: 2 PEOPLE ARE REQUIRED TO PUSH THE UNIFIED REFRIGERATORS INTO THE OPENING.

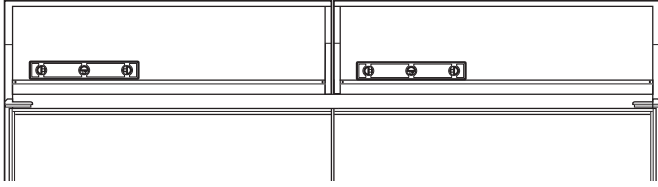
- With hands against the front corners, gently push the unified refrigerators into the opening or against the back wall.



INSTALLATION INSTRUCTIONS

STEP 8 LEVEL REFRIGERATOR

Place a level inside the top of each unit.

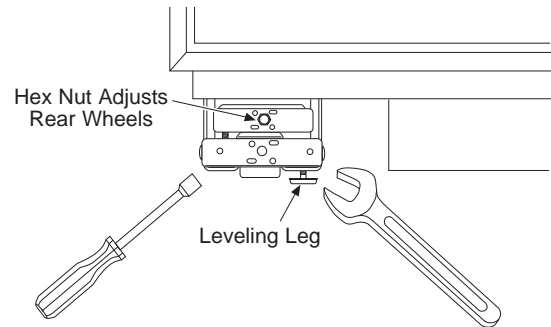


Both refrigerators **MUST BE LEVEL AND PLUMB** with each other and with adjacent cabinetry on each side.

Drawers should be evenly aligned.

Both refrigerators have 4-point leveling. The front is supported by leveling legs, the rear is supported by adjustable wheels. Both are accessible from the front of the refrigerator.

- To level the back of the refrigerator, turn the 7/16" hex nut located above the front wheels. Turn clockwise to raise or counterclockwise to lower the refrigerator.
- For front leveling, use a 1-1/4" open-end wrench.
- Adjust height of refrigerator to match installation cutout opening 83-1/2 to 84-1/2". The refrigerator should be level and plumb with cabinetry.



The rear leveling wheels and front leveling legs are limited to a maximum height adjustment of 1" (2.54 cm). If the installation requires more than 84-1/2" (214.63 cm) height, the installer should elevate the refrigerator on a sheet of plywood or runners. Cabinetry trim could also be added across the top of the opening to shorten the opening. If you attempt to raise the refrigerator more than 1" (2.54 cm), you will damage the front leveling legs and the rear leveling wheels.

INSTALLATION INSTRUCTIONS

STEP 9 INSTALL ANTI-TIP BRACKET

⚠️ WARNING Tip Over Hazard.

The unit is top-heavy and must be secured to prevent the possibility of tipping forward.

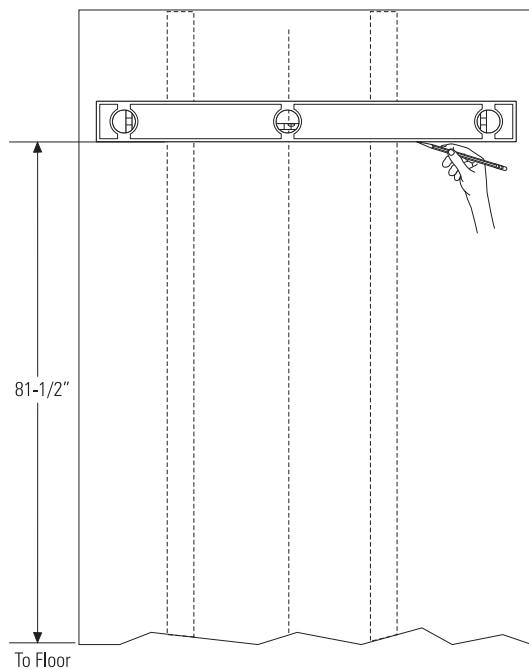
⚠️ AVERTISSEMENT Risque de

basculement L'appareil ménager est beaucoup plus lourd en haut et il faut le maintenir en place pour éviter la possibilité de son basculement vers l'avant.

⚠️ ADVERTENCIA Riesgo de Caídas

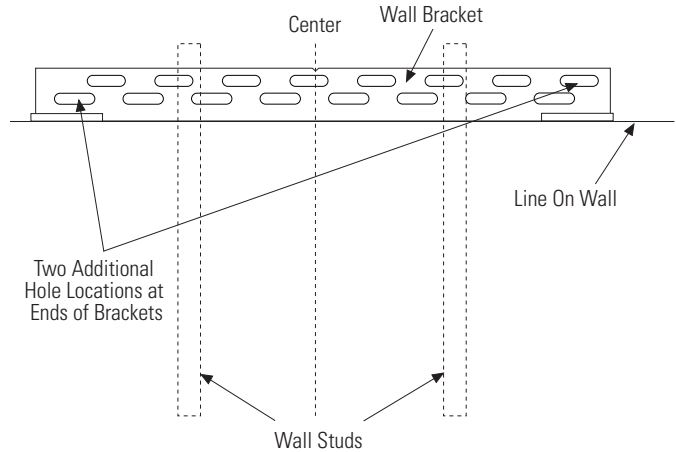
La unidad es pesada en su parte superior y se deberá asegurar a fin de evitar posibles caídas hacia adelante.

- The kit supplied with the unit contains 2 lag bolts and 4 toggles with bolts. The wall bracket will be attached to the wall in 4 places.
- Measure the opening where the unit is to be installed. Mark the center with a vertical line.
- Measure up 81-1/2" (207.01 cm) from the floor. Mark this point on the wall.
- Using a level, draw a horizontal line on the wall at this height.

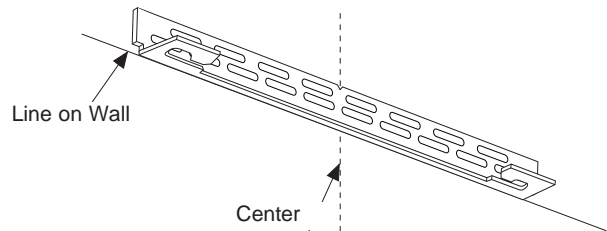


- Locate at least 2 studs on the back wall. Mark these points on the horizontal line.

- Place the bottom of the wall bracket with tabs on the horizontal line. Align the center notch on the bracket with the center line on the wall.



- The anti-tip wall bracket has a series of holes. Select 2 holes that match with the located studs. Make sure the holes selected are on the center of the studs. Mark the wall at these points.



- Mark an additional hole at each end of the bracket. If one of the studs is closer to the end of the bracket, mark an additional hole towards the center of the bracket.
- Drill 1/2" (1.27 cm) holes into the wall board at the locations marked for the toggles to be mounted (not the stud markings).
- Drill 3/16" (0.47 cm) holes into wooden studs where marked. If steel stud construction, drill 1/2" (1.27 cm) holes into the studs where marked. You will use 2 toggles with the metal studs.

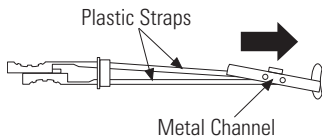
INSTALLATION INSTRUCTIONS

STEP 9 INSTALL ANTI-TIP BRACKET (Cont.)

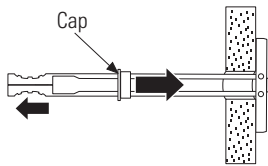
Install Wall Toggles:

The wall toggles and bolts can be ordered as Service Kit #WR49X10193. Wall toggles are installed in the drywall and metal studs for stability. Install the wall toggles as follows:

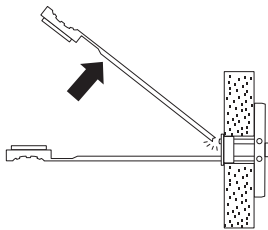
- Drill 1/2" (1.27 cm) holes at the wall markings made in the holes at the ends of the wall bracket.
- Hold the metal channel flat against the plastic straps and slide the channel through the hole.



- Gently pull back at the ends of the plastic straps to make the channel rest flush behind the wall.
- Hold the ends of the straps in one hand and slide the plastic cap along the straps until the flange of the cap is flush with the wall.

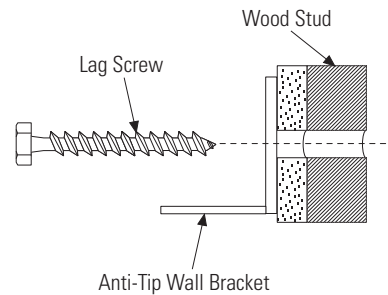


- Place your thumb between the plastic straps and bend up and down to snap the straps off at the wall.

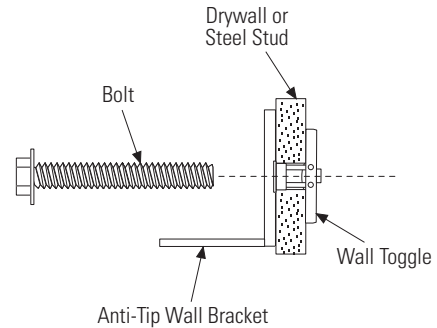


Install Screws and Bolts:

- Have someone hold the wall bracket centered in place with each of the holes aligned with the correct opening in the bracket and level with the horizontal line.
- Insert the lag screws through the bracket and into the stud. Tighten with a wrench.



- Insert the bolts into the toggle by hand until snug. Tighten with a wrench.



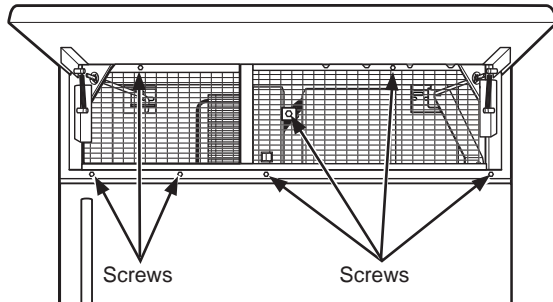
INSTALLATION INSTRUCTIONS

STEP 9 INSTALL ANTI-TIP BRACKET (Cont.)

Remove Grilles for Access to Anti-Tip Locking Hooks

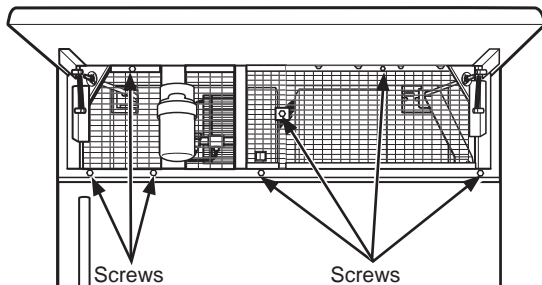
Fresh Food Unit

- Open the access door.
- Remove the 4 screws from the grille on the right and 3 screws from the grille on the left.
- Pull the bottom of the grilles forward, down and out to remove.



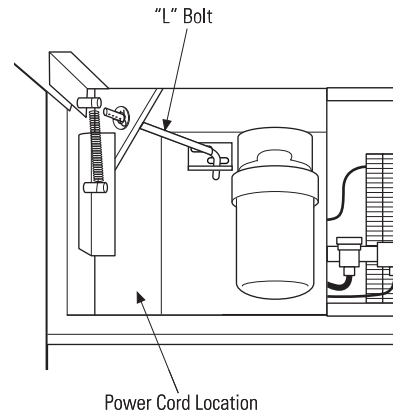
Freezer Unit

- Open the access door.
- Remove the 4 screws from the grille on the right and 3 screws from the grille on the left.
- Pull the bottom of the grille forward, down and out to remove.



Power Cord

Locate the power cord inside the left cavity. If it has not been adjusted so the plug is easily accessible, do so now.



Move Unit into Final Position

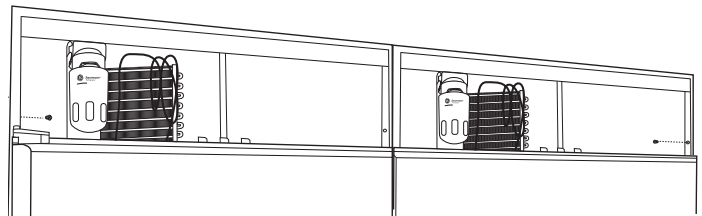
- Move appliance toward its final installed location. Align the tabs on the wall bracket with the openings in the back of the unit.
- The unit has "L" bolts in the upper left and right corners inside of the access compartment. These bolts will interlock with the wall bracket and secure the unit using the washers and hair pin cotters in the hardware kit once the unit has been leveled and is in the final position.

STEP 10 SECURE REFRIGERATOR TO CABINETRY

Whenever possible, perform this step for anti-tip security, or when anti-tip brackets cannot be used.

The refrigerator must be secured to prevent tipping.

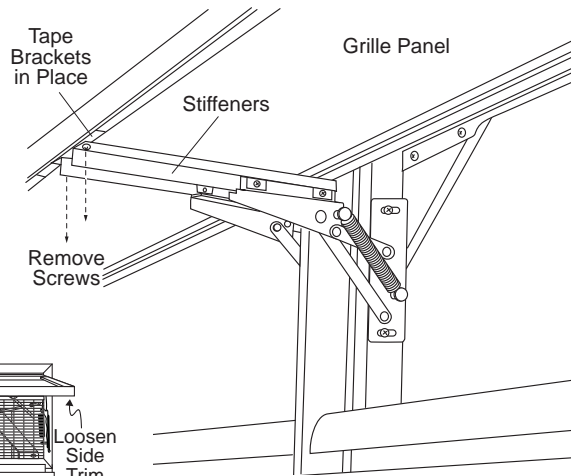
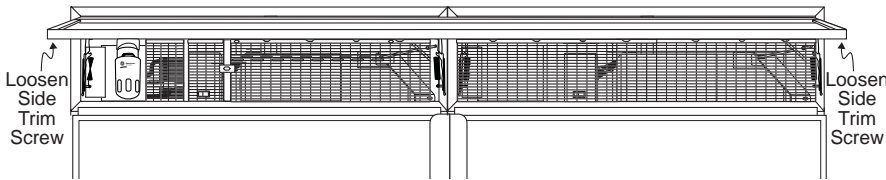
- Raise the grille panel to access case trim.
- Drill hole in trim and drive screw (I) through the trim into adjacent cabinet.
- Follow the same procedure on the opposite side.



INSTALLATION INSTRUCTIONS

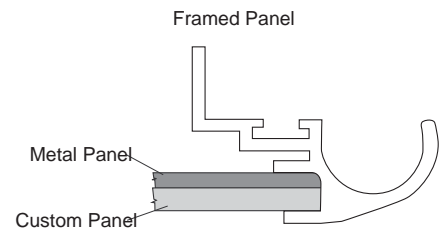
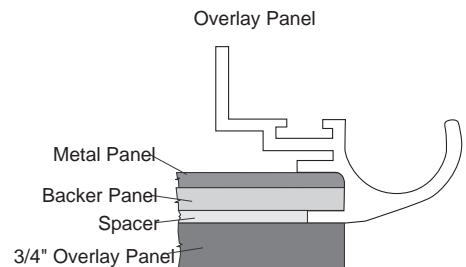
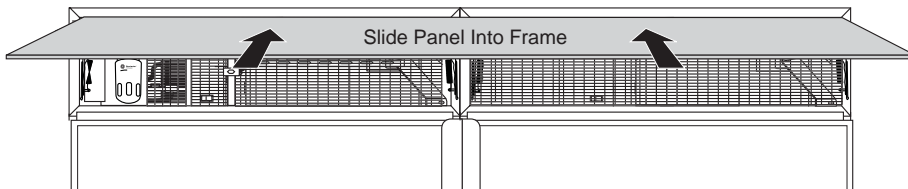
STEP 11A INSTALL CUSTOM PANEL UNIFIED GRILLE FRAME

- Remove 4 screws holding center hinge stiffeners to the small brackets on the unified frame. Retain screws; use tape to hold small brackets in place.
- Place the unified grille panel frame over the hinges on the left and right ends, matching screw hole locations. Install supplied black screws (L) through hinge and into stiffener on both ends.
- Loosen screws on each side of the trim behind the frame. Remove bottom trim.



INSERT CUSTOM PANELS

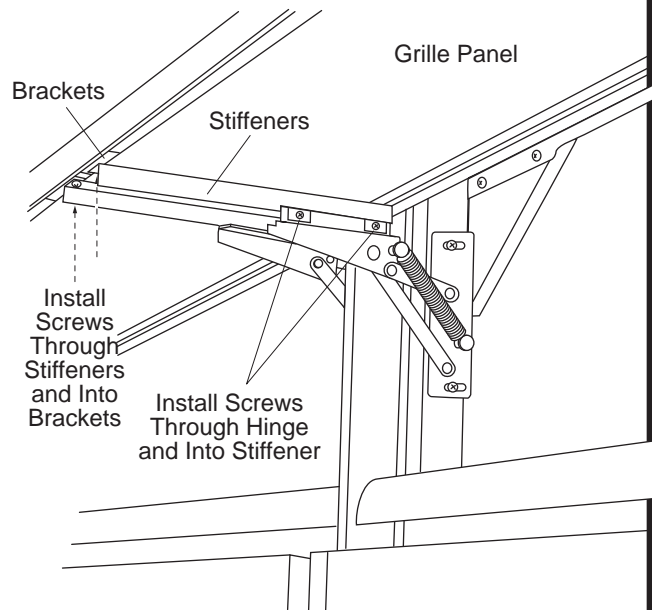
- Slide framed or overlay panel over the metal backer panel and into the trim. If necessary, tap with a wood block until panel slips under the top trim piece.
- Reassemble bottom trim. Tighten screws.



SECURE PANEL TO CENTER HINGES

- Reinstall middle stiffeners and slide them to meet the center hinges.
- Install supplied black screws (L) through center hinges and into stiffeners.
- Tighten original screws through the stiffeners and into the small brackets at the bottom trim.
- Grasp grille panel at the center and pull down to close.

NOTE: Check alignment of grille panel to top of doors. To adjust, loosen bracket to hinge screws on all 4 hinges. Adjust and tighten screws.



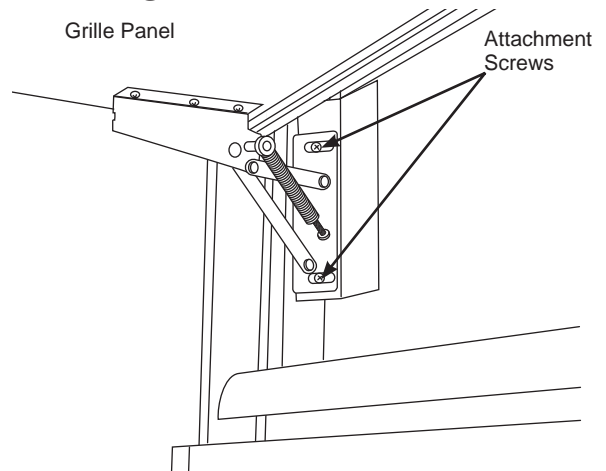
INSTALLATION INSTRUCTIONS

STEP 11B INSTALL STAINLESS STEEL UNIFIED GRILLE FRAME

Two people are required to install the Grille Panel.

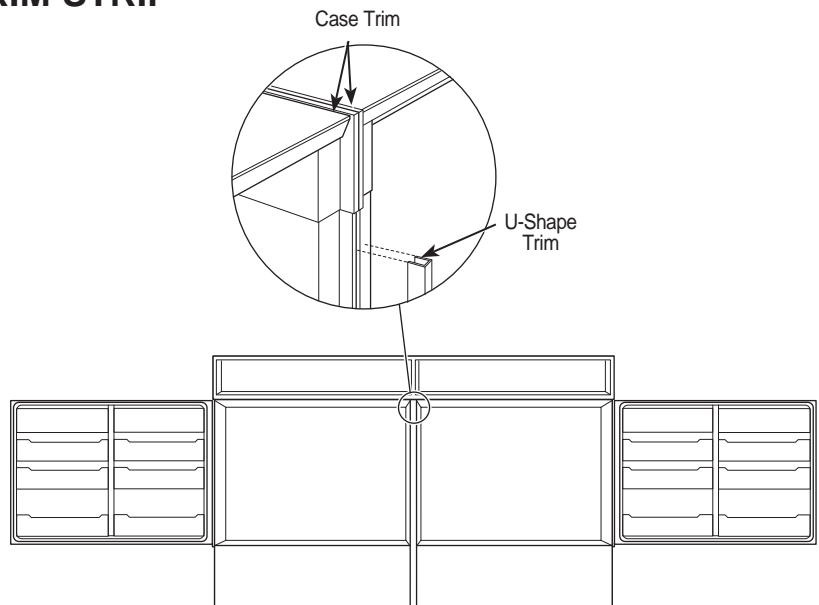
- Align the extruded holes on the unified stainless steel grille panel with the leftmost hinge. Drive 3 screws through the hinge and into the panel. Drive 3 screws through the rightmost hinge and into the panel. Repeat for the center hinges.
- Grasp grille panel at the center and pull down to close. The panel should align evenly with the side of the door.

NOTE: To adjust the grille panel backward or forward, loosen the 2 attachment screws on all 4 hinges. Slide the grille panel outward or to the back. Tighten the screws.



STEP 12 INSTALL CENTER TRIM STRIP

- Open doors fully.
- The case trims should be evenly aligned top to bottom with a slight gap between them.
- Starting at the top, press center u-shaped trim strip (D) over the inside case trims of both refrigerators.
- Continue pressing trim until you reach the bottom of the case trims. The trim should align with the top and bottom of case trims.

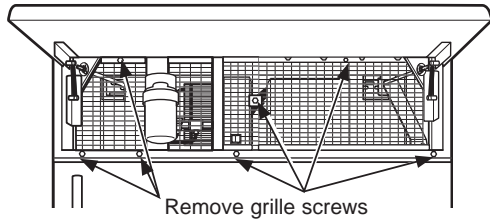


INSTALLATION INSTRUCTIONS

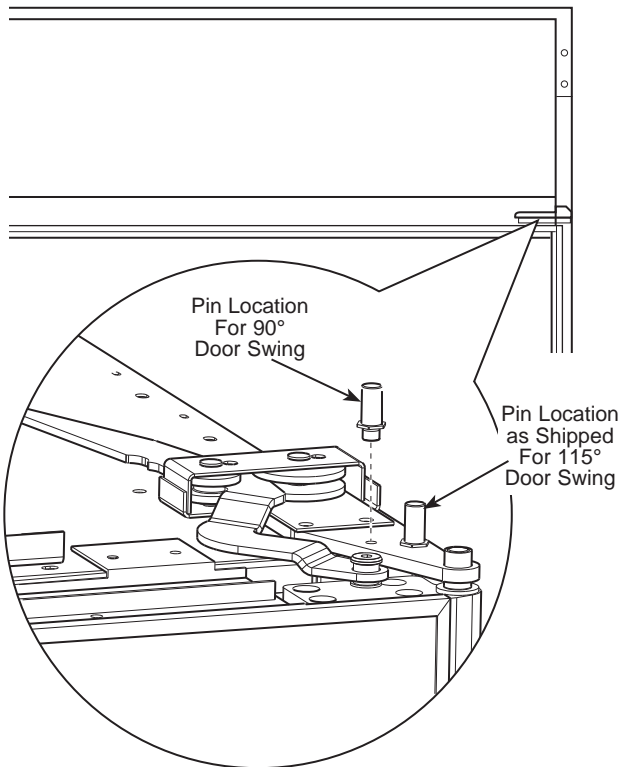
STEP 13 ADJUST DOOR SWING

NOTE: This refrigerator has a 3-position door stop. When space does not allow the door to swing open fully to 130°, you may change the door swing to a 90° opening. A 130° door swing option is available for standard installation only. **Skip this step if door opening is satisfactory for your installation situation.**

- Lift the grille panel to access the wire cover trim.
- Remove screws on both sides of the wire cover trim and rotate off.




- Use pliers to unscrew door stop and reinstall into the 90° or 130° (standard only) position.
- Reinstall the wire cover trim.




⚠ WARNING Door Trim Pinch Point Hazard:

Improper installation can lead to a finger pinch point hazard between the side door trim and the cabinets when operating the door, especially with children. To minimize this risk you must follow the installation instructions for cabinet dimensions, trim assembly, and door stop angle.

STEP 13 ADJUST DOOR SWING (Cont.)

⚠ AVERTISSEMENT  Risque de pincement de doigts : Une installation incorrecte peut poser un risque de coincement de doigts entre la garniture de porte latérale et les armoires en actionnant la porte, en particulier pour les enfants. Pour réduire ce risque, vous devez suivre les instructions d'installation relatives aux dimensions d'armoire, au montage des garnitures et à l'angle de l'arrêt de porte.

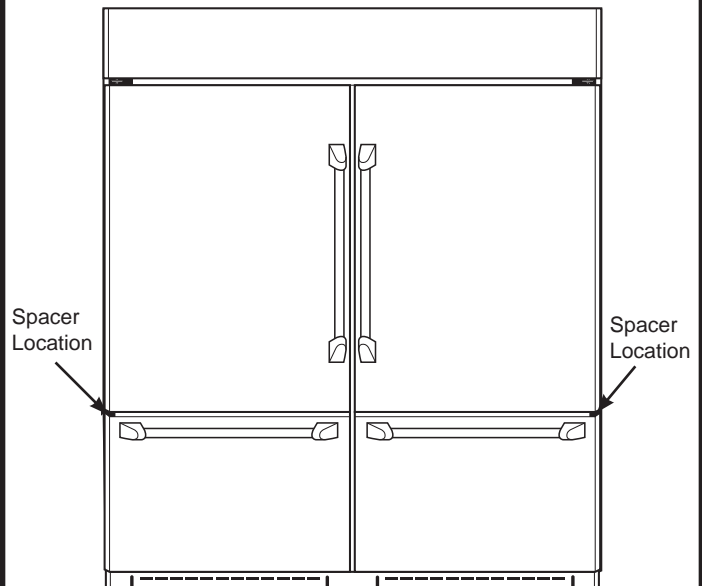
⚠ ADVERTENCIA  Riesgo de Lastimadura con el Marco de la Puerta : Una instalación inadecuada podrá conducir a riesgos de pellizcos de dedos entre el marco lateral de la puerta y los gabinetes al utilizar la puerta, especialmente con los niños. A fin de minimizar este riesgo, usted deberá seguir las instrucciones de instalación para dimensiones de gabinetes, ensambles de marcos y ángulos de detención de puertas.

STEP 14 CHECK AND CORRECT DOOR ALIGNMENT

- Close the grille panel and both doors.
- Check that the freezer drawers and bottom of doors are horizontal and even at the lower inside corners.
- Carefully measure the inside corners to determine if an adjustment is needed. A difference of 1/32" is acceptable and does not require adjustment.

SKIP THIS STEP IF DOORS ARE LEVEL.

IMPORTANT: If the doors are not evenly aligned, they must be removed and spacers must be installed to raise or lower both doors.



INSTALLATION INSTRUCTIONS

STEP 14 CHECK AND CORRECT DOOR ALIGNMENT (Cont.)

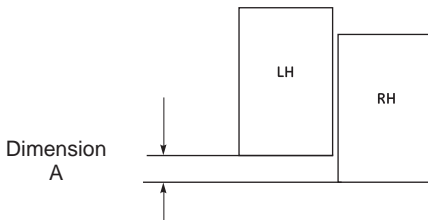
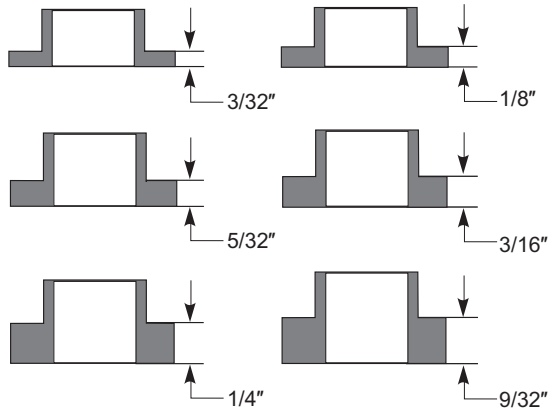
NOTICE: Follow instructions very carefully.

DETERMINE CORRECT SPACER

This kit contains 12 plastic spacers (J) (2 of each size). Match spacer to illustration below to be sure you have selected the correct size as determined in the charts below.

LH Fresh Food door is higher than the RH door:

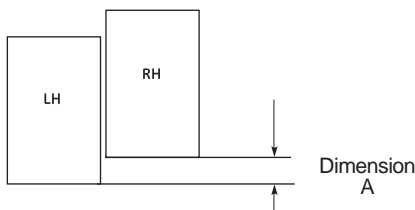
Select the correct spacers to install on the Fresh Food hinges as determined by Dimension A.



LH Door Dim. A	Install LH Spacer	Install RH Spacer
1/32" to 1/16"	3/32"	1/4"
1/16" to 3/32"	3/16"	1/4"
3/32" to 1/8"	5/32"	1/4"
1/8" to 5/32"	1/8"	1/4"
5/32" to 3/16"	1/8"	9/32"
3/16" to 7/32"	1/4"	9/32"

RH Fresh Food door is higher than the LH door:

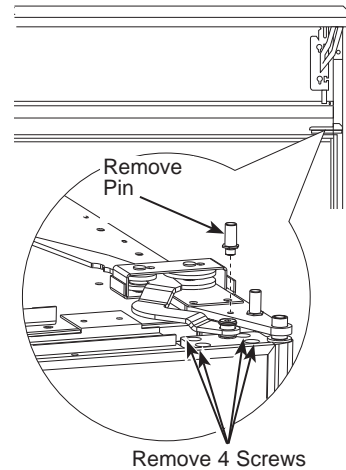
Select the correct spacers to install on the Fresh Food hinges as determined by Dimension A.



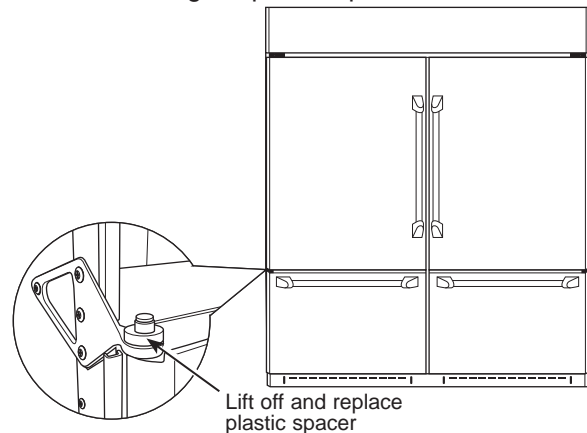
RH Door Dim. A	Install LH Spacer	Install RH Spacer
1/32" to 1/16"	1/4"	3/32"
1/16" to 3/32"	1/4"	3/16"
3/32" to 1/8"	1/4"	5/32"
1/8" to 5/32"	1/4"	1/8"
5/32" to 3/16"	9/32"	1/8"
3/16" to 7/32"	9/32"	3/32"

NOTE: If this plastic spacer package is misplaced, order WR49X10162 for a replacement kit.

1. Open the grille panel.
2. Remove 4 screws on the hinge plate.
3. Use pliers to remove door stop pin.
4. Lift door off bottom hinge pin. The door must be held in place while spacers are being exchanged.



5. Remove the original plastic spacer.

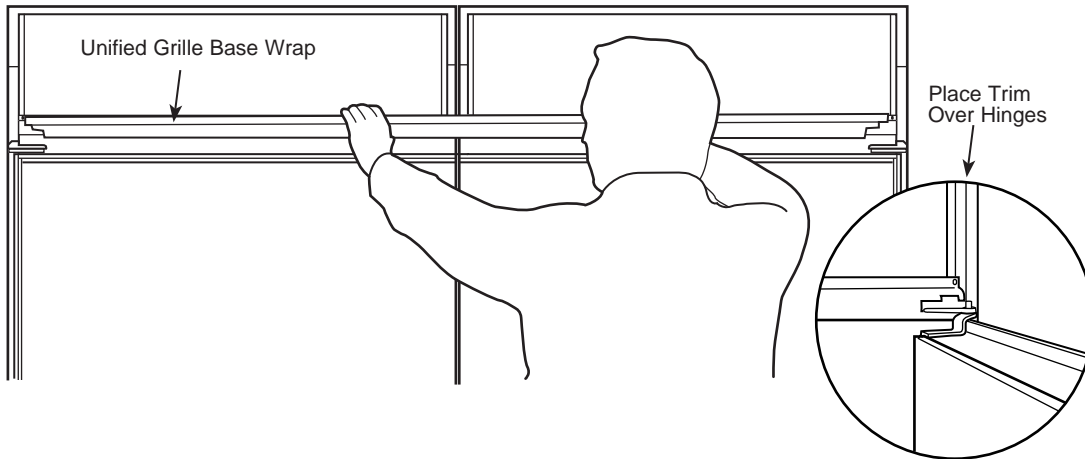


6. Place the selected spacer over the hinge.
7. Reverse all steps to replace the door

INSTALLATION INSTRUCTIONS

STEP 15 INSTALL GRILLE BASE WRAP

- Open doors fully. Open the grille panel.
- Install the unified double width grille base wrap (E) by slipping the notched ends over the door hinges and behind metal grates.
- Replace all 12 screws to install unified double width grille base wrap and metal grates. Refer to Step 7.



STEP 16 CONNECT WATER SUPPLY

Connect both refrigerators to the water supply.

- Locate and bring tubing to the front of the cabinet.
- Turn the water on to flush debris from line. Run about a quart of water through tubing into a bucket, then shut off water.

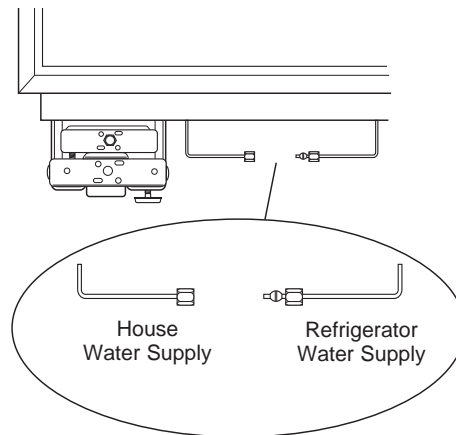
Copper Tubing:

- Slip a 1/4" nut and ferrule (provided) over both ends of the copper tubing. Insert tube into the union fitting on the unit and tighten nut to union.
- Turn on the water to check for leaks.

SmartConnect™ Tubing:

- Insert the molded end of the tubing into the refrigerator connection. Tighten the compression nut until it is just hand tight.
- Tighten one additional turn with a wrench. Overtightening can cause leaks!
- Turn on the water to check for leaks.

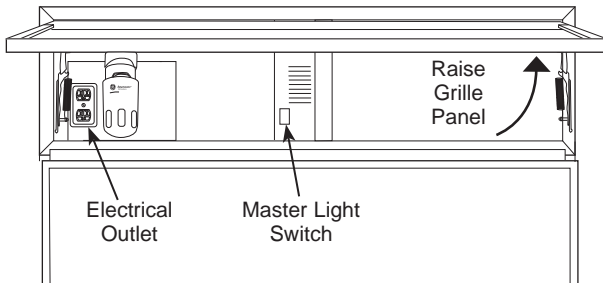
NOTE: Make sure excess tubing length does not interfere with drawer closing or toekick installation.



INSTALLATION INSTRUCTIONS

STEP 17 CONNECT POWER

- Check to be sure the power cord is plugged into the receptacle.



- Check to make sure power to refrigerator is on by opening refrigerator door to see if interior lights are on.
- The temperature controls are preset at 37°F for the fresh food section and 0°F for the freezer.
- Allow 24 hours for temperature to stabilize before making adjustments.

STEP 18B INSTALL CUSTOM TOEKICK FOR STANDARD INSTALLATION

- A custom toekick can be installed to match or complement the surrounding cabinetry. Use the supplied toekick as a template to cut the shape.

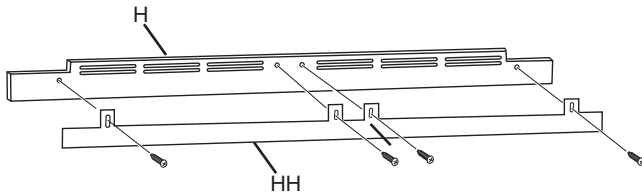
IMPORTANT: A custom toekick can be installed to match or complement the surrounding cabinetry but can NOT cover the horizontal vent slots of the factory toekick.

STEP 18C INSTALL CUSTOM TOEKICK FOR FLUSH INSET INSTALLATION

- A custom toekick can be installed to match or complement the surrounding cabinetry. See Installation Instructions for ZKFN Kit.

STEP 18A INSTALL STAINLESS STEEL TOEKICK

- Attach the toekick assembly to the refrigerator using the 4 supplied screws (I) - one on each side and two in the center.



NOTE: While performing installations described in this book, safety glasses or goggles should be worn.

NOTE: Product improvement is a continuing endeavor at Monogram. Therefore, materials, appearance and specifications are subject to change without notice.

INSTRUCTIONS D'INSTALLATION

Trousse d'assemblage en acier inoxydable ZKBSN720NSS et trousse de panneau d'assemblage ZKBFN720NII

Cette trousse est conçue pour l'installation d'un panneau d'assemblage grillagé à un panneau encadré ou de recouvrement personnalisé. Ce panneau couvrira la largeur hors-tout d'une installation côte à côte.

Durée du travail : Il faut environ 2 heures pour installer cette trousse.

IMPORTANT : Deux (2) personnes sont requises pour installer cette trousse.

Débranchez l'alimentation électrique avant de commencer.

CONTENTS:

GUIDE DE CONCEPTION

INSTALLATION STANDARD - Caisson encastré à une armoire avec portes proéminentes

L'espace d'installation	2
Dimensions et dégagements	2
Dimensions du panneau grillagé	3

INSTALLATION ENCASTRÉE – Encastrement du caisson à l'armoire avec portes planes

L'espace d'installation	3
-------------------------	---

INSTRUCTIONS D'INSTALLATION

MATÉRIAUX

MISE À LA TERRE DE L'APPAREIL

ÉTAPE 1. ETIRER L'EMBALLAGE

ÉTAPE 2. INSTALLER LA CONDUITE D'EAU

ÉTAPE 3. INSTALLATION DE LA NOUVELLE GARNITURE CENTRALE

ÉTAPE 4. RETIREZ LES DEUX CADRES DU PANNEAU GRILLAGÉ

ÉTAPE 5. INSTALLER LES PANNEAUX LATÉRAUX

ÉTAPE 6. INSTALLATION DU SUPPORT ANTIBASCULEMENT

ÉTAPE 7. POSITION DU RÉFRIGÉRATEUR ET INSTALLATION DE LA GARNITURE SUPÉRIEURE

ÉTAPE 8. METTRE LE RÉFRIGÉRATEUR DE NIVEAU

ÉTAPE 9. INSTALLATION DU SUPPORT ANTIBASCULEMENT

ÉTAPE 10. ASSUJETTISSEMENT DU RÉFRIGÉRATEUR À L'ARMOIRE

ÉTAPE 11A. INSTALLATION DU CADRE DE PANNEAU D'ASSEMBLAGE

ÉTAPE 11B. INSTALLATION DU PANNEAU GRILLAGÉ EN ACIER INOXYDABLE

ÉTAPE 12. INSTALLATION DE LA BANDE COUVRE-JOINT CENTRALE

ÉTAPE 13. AJUSTEMENT DE L'OUVERTURE DE PORTE

ÉTAPE 14. VÉRIFICATION ET CORRECTION DE L'ALIGNEMENT DE PORTE

ÉTAPE 15. INSTALLATION DE LA BASE DE GRILLE

ÉTAPE 16. RACCORDER L'ALIMENTATION D'EAU

ÉTAPE 17. BRANCHER L'ALIMENTATION

ÉTAPE 18A. INSTALLATION DU COUP-DE-PIED EN ACIER INOXYDABLE

ÉTAPE 18B. INSTALLATION D'UN COUP-DE-PIED PERSONNALISÉ POUR UNE INSTALLATION STANDARD

ÉTAPE 18C. INSTALLATION D'UN COUP-DE-PIED PERSONNALISÉ POUR UNE INSTALLATION À ENCASTREMENT AFFLEURANT

AVANT DE COMMENCER

Veillez lire toutes ces instructions attentivement.

- **IMPORTANT** – Conservez ces instructions à l'usage de l'inspecteur local. Observez tous les codes et décrets en vigueur.
- **Note à l'installateur** – Assurez-vous de laisser ces instructions au consommateur.
- **Note au consommateur** - Conservez ces instructions avec votre manuel d'utilisation pour consultation ultérieure.

Si vous avez reçu un appareil endommagé, veuillez communiquer immédiatement avec votre revendeur ou votre entrepreneur.

Niveau de compétence – L'installation de cet appareil exige des compétences de base en mécanique, menuiserie et plomberie. La responsabilité d'une installation adéquate relève de l'installateur. La garantie Monogram ne couvre pas les défauts du produit causés par une installation inadéquate. Consultez le manuel d'utilisation pour des renseignements sur la garantie.

⚠ AVERTISSEMENT



Risque d'incendie ou d'explosion. Gardez les matériaux et les vapeurs inflammables à l'écart de l'appareil. L'omission de prendre cette précaution peut entraîner un incendie, une explosion ou la mort.

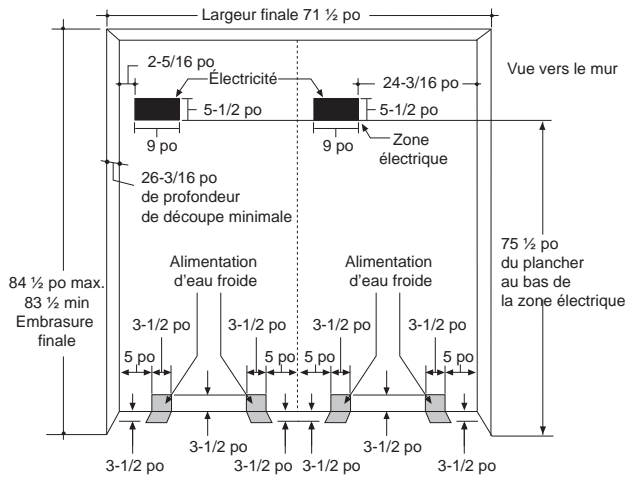
⚠ AVERTISSEMENT

Pour réduire le risque d'étouffement pendant l'installation de ce produit, ne pas laisser les petites pièces à la portée des enfants âgés de moins de 3 ans.

GUIDE DE CONCEPTION - INSTALLATION STANDARD

L'ESPACE D'INSTALLATION

L'espace d'installation doit être d'une largeur de 181,6 cm (71 1/2 po).



Emplacements des alimentations d'eau et électrique

Les alimentations d'eau et électrique doivent se situer comme illustré.

La profondeur de l'ouverture doit mesurer 24 po (60,96 cm)

Le réfrigérateur se projettera vers l'avant, légèrement au-delà des armoires adjacentes, selon le type de votre installation.

Profondeur de l'ouverture en dessous d'un soffite :

Si l'installation s'effectue sous un soffite, celui-ci ne peut dépasser la profondeur de l'installation de 24 po (60,96 cm) illustrée. La garniture de caisson supérieure chevauche le bas du soffite.

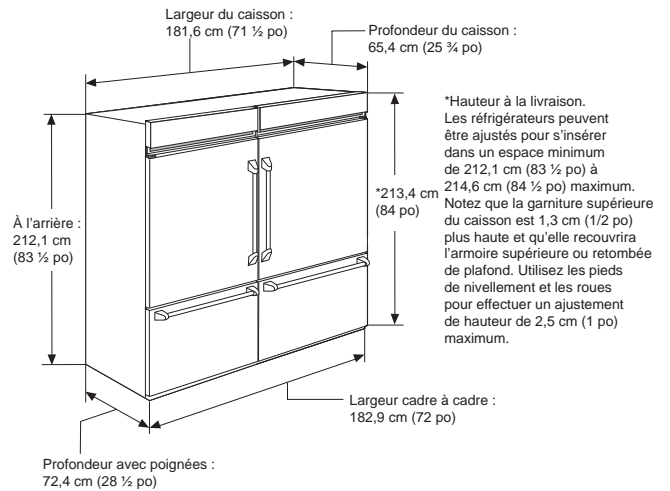
Spécifications supplémentaires

- Une alimentation électrique de 115 V, 60 Hz, 15 ou 20 A est recommandée pour chaque produit. Un circuit de dérivation ou un disjoncteur distinct correctement mis à la terre sont recommandés. Installez une prise électrique à trois alvéoles correctement mise à la terre encastrée dans le mur arrière. Le câblage électrique doit se situer sur le mur arrière comme illustré.

REMARQUE : L'utilisation d'un DDFT (disjoncteur de fuite à la terre) n'est pas recommandée.

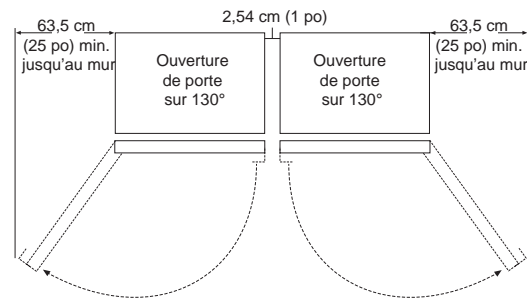
- Les deux conduites d'eau peuvent être acheminées par l'ouverture du plancher ou de la paroi arrière. Acheminez la trousse SmartConnect™ ou un tuyau de cuivre de 1/4 po (D.E.) entre la conduite d'eau froide et le lieu du raccord d'eau. Le tuyau doit être suffisamment long pour atteindre le devant de l'appareil. L'installation d'un robinet de sectionnement aisément accessible est requise.

DIMENSIONS ET DÉGAGEMENTS



Dégagements du produit

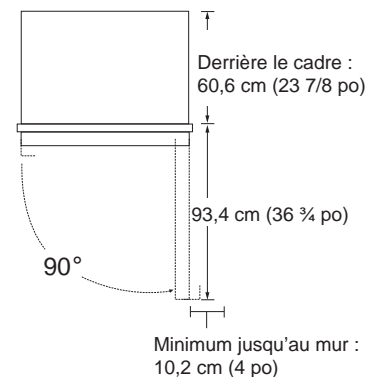
Ces réfrigérateurs sont équipés de butée de porte à 3 positions. L'ouverture de porte de 115° réglée à l'usine peut s'ajuster à 90° si le dégagement aux armoires ou aux murs adjacents est restreint.



Laissez un espace minimum de 63,5 cm (25 po) pour permettre l'ouverture de la porte sur 130°. Laissez un espace de 38,1 cm (15 po) pour pouvoir retirer le bac.

Un espace minimum de 12,7 cm (5 po) est requis lorsque l'ouverture de la porte est réglée à 90 degrés. Si vous utilisez la butée de porte de 90 degrés, l'accès au bac est conservé, mais son retrait est limité.

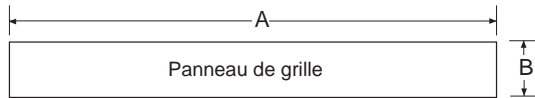
Consultez les illustrations pour déterminer l'interaction d'ouverture de porte avec les armoires adjacentes ou les comptoirs adjacents.



GUIDE DE CONCEPTION - INSTALLATION STANDARD

DIMENSIONS REQUISES POUR LES PANNEAUX GRILLAGÉS

Les panneaux doivent être découpés selon les dimensions montrées.



REMARQUE IMPORTANTE : Le poids maximum d'un panneau d'assemblage est de 11,3 kg (25 lb).

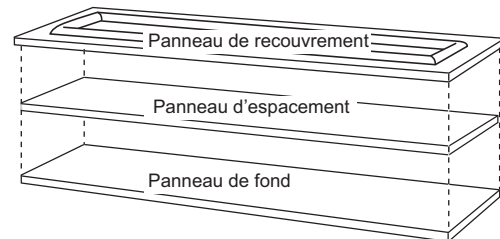
Dimensions du panneau encadré

Panneau encadré 1/4 po (0,63 cm)	A (Larg.)	B (Haut)
	69-7/8 po (177,48 cm)	8-7/8 po (22,54 cm)

Dimensions du panneau de recouvrement

	A (Larg)	B (Haut)
Panneau de fond 1/4 po (0,63 cm)	69-7/8 po (177,48 cm)	8-7/8 po (22,54 cm)
Panneau d'espace-ment 0,10 po (0,25 cm)	68-1/2 po (97,79 cm)	7-5/8 po (20 cm)
Panneau de recouvrement 3/4 po (1,9 cm)	70-1/8 po (178,12 cm)	9 po (22,86 cm)

Assemblez les panneaux de recouvrement comme montré, en utilisant de la colle et des vis. Centrez la cale d'espacement à la pièce d'appui du panneau. Centrez le panneau de recouvrement à la pièce d'appui et la cale d'espacement.



GUIDE DE CONCEPTION - INSTALLATION ENCASTRÉE

DIMENSIONS DU PANNEAU DE PORTE DE JONCTION

Consultez la trousse ZKFN pour connaître l'espace d'installation, les dimensions du panneau de porte assemblé, les dimensions du cadre du panneau d'assemblage grillagé, les cales latérales et les dimensions du coup-de-pied.

INSTRUCTIONS D'INSTALLATION

Outils requis

- Cisaille pour couper le cerclage
- Escabeau
- Seau
- Niveau
- Diable pour électroménagers
- Coupe-tuyau
- Clé ouverte 7/16 po
- Tournevis à tête cruciforme no 1 et 2
- Perceuse et forets appropriés
- Douille 5/16, 7/16 po
- Lunettes de protection
- Clé ouverte 1 1/4 po
- Pince
- Cliquet 1/4 po ou une clé inclinée de 6 mm (1/4 po)
- Ruban à mesurer
- Gants pour se protéger des arêtes tranchantes

Quincaillerie fournie

- Bouchon de dérivation de filtre
- Ferrures antibasculement
- Écrou et bague 1/4 po

Liste des pièces :

- A. Garniture supérieure
- B. Garniture gauche pour intérieur de caisson
- C. Garniture droite pour intérieur de caisson
- D. Garniture centrale en forme de « U »
- E. Cache-joint horizontal au bas du panneau grillagé
- F. Panneau grillagé
- G. Coussinets d'espacement en mousse (6)
- H. Coup-de-pied
- HH. Jupe du coup-de-pied
- I. Vis Phillips (28)
- J. Paquet de 12 cales d'espacement en plastique
- K. 2 supports de garniture de coin
- L. Vis no 8-32 x 9,5 mm (3/8 po) (12)
- M. Vis no 6-32 x 8,6 mm (0,340 po) (4)

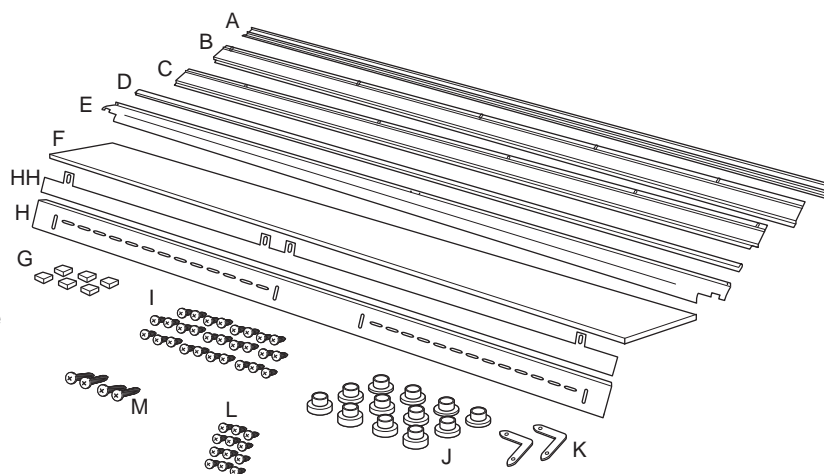
Matériel requis

- 2 x 4 de 180,3 cm (71 po) de long pour support antibasculement
- Tuyau en cuivre de 6,3 mm (1/4 po) pour conduite d'eau ou 2 trousseaux de tuyaux pour réfrigérateur SmartConnectMC
- Deux (2) robinets de sectionnement
- Vis pour fixer le réfrigérateur aux armoires
- Ruban autoagrippant adhésif pour panneaux latéraux 1/4 po (0,63 cm)

Plancher

Une installation correcte exige que le réfrigérateur soit placé sur la surface d'un matériau dur de niveau et de la même hauteur que le reste du plancher. Cette surface doit être suffisamment robuste pour supporter un réfrigérateur pleinement chargé, ou environ 2,400 lbs.

REMARQUE : Protégez le fini du plancher. Découpez une grande section de carton et placez-la sous le réfrigérateur à l'endroit où vous travaillez.



INSTRUCTIONS D'INSTALLATION

MISE À LA TERRE DU RÉFRIGÉRATEUR

⚠ AVERTISSEMENT  **Risque de choc électrique.**

Le non-respect de ces instructions peut entraîner des risques d'incendies, des chocs électriques ou la mort.

Le cordon d'alimentation de cet appareil est équipé d'une fiche à trois broches (pour une mise à la terre) qui s'adapte à la prise de courant standard à 3 broches (pour une mise à la terre) pour minimiser les risques de chocs électriques par cet appareil.

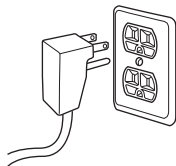
Faites vérifier la prise murale et le circuit électrique par un électricien qualifié pour s'assurer que le système est correctement mis à la terre.

Dans le cas d'une prise biphasée, l'installateur a la responsabilité et l'obligation de la remplacer par une prise triphasée correctement mise à la terre.

NE COUPEZ PAS OU N'ENLEVEZ PAS, SOUS AUCUN PRÉTEXTE, LA TROISIÈME BROCHE DE MISE À LA TERRE DU CORDON D'ALIMENTATION.

N'UTILISEZ PAS D'ADAPTATEUR POUR BRANCHER LE RÉFRIGÉRATEUR À UNE PRISE BIPHASÉE.

N'UTILISEZ PAS DE RALLONGE AVEC CET APPAREIL.



ÉTAPE 1 RETRAIT DE L'EMBALLAGE

⚠ AVERTISSEMENT  **Risque de basculement**

Le réfrigérateur est beaucoup plus lourd en haut qu'en bas. Il faut être prudent lors des déplacements. Si un diable est utilisé, il faut soulever le réfrigérateur sur le côté seulement.

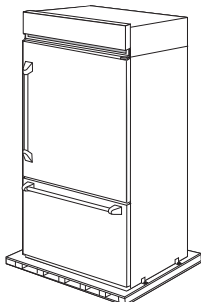
- Couper avec précaution le cerclage dans le haut et le bas, retirez le carton extérieur.
- Retirez les montants d'angle arrière (2) en les glissant.
- En le glissant, retirez le carton du haut de l'appareil.

REMARQUE : IL N'EST PAS NÉCESSAIRE DE DÉPOSER L'APPAREIL POUR RETIRER LE PATIN!

- L'appareil est fixé sur le patin à l'aide de 4 brides d'arrimage à fente. Retirez les six boulons 7/16 po des profilés de base dans les brides.
- Retirez les six boulons 7/16 po qui fixent les brides sur le patin.

REMARQUE : NE TENTEZ PAS DE ROULER L'APPAREIL HORS DU PATIN.

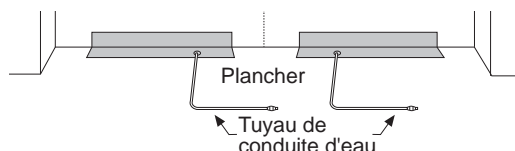
- Les blocs de support dans le bas du compartiment de réfrigération doivent être retirés avant que le réfrigérateur puisse être dégagé du patin, sinon il y a risque d'endommagement. Penchez avec précaution le réfrigérateur et glissez les blocs vers l'extérieur depuis le dessous.
- Retirez le coup-de-pied et mettez-le de côté pour l'installation finale.
- Soulevez le réfrigérateur du patin à l'aide d'un diable pour électroménager. Manipulez depuis les côtés.



ÉTAPE 2 INSTALLER LA CONDUITE D'EAU

⚠ AVERTISSEMENT Raccordez l'appareil à une alimentation d'eau potable seulement.

- Une alimentation d'eau froide est requise pour faire fonctionner la machine à glaçons automatique. La pression d'eau doit se situer entre 40 et 120 psi (275 à 827 kPa).
- Acheminez le tuyau de cuivre 1/4 po (D.E.) ou le tuyau plastique SmartConnect™ entre la conduite d'eau froide du domicile et le raccord d'eau.
- Le tuyau doit être suffisamment long pour atteindre le devant de l'appareil. Prévoyez une longueur de tuyau suffisante pour la courbe menant au raccord de la conduite d'eau.



REMARQUE : Les seuls tuyaux en plastique approuvés par Monogram sont ceux inclus dans les trousse de tuyaux pour réfrigérateur SmartConnect™. N'utilisez pas d'autres tuyaux d'alimentation d'eau en plastique car ils seront sous pression constamment. D'autres types de plastique peuvent se fissurer ou se rompre avec le temps et occasionner des dégâts d'eau dans votre domicile.

Les trousse de tuyau pour réfrigérateur SmartConnect™ sont offertes dans les longueurs suivantes :

2' (.6 m) - WX08X10002 15' (4.6 m) - WX08X1 0015

8' (2.4 m) - WX08X10006 25' (7.6 m) - WX08X10025

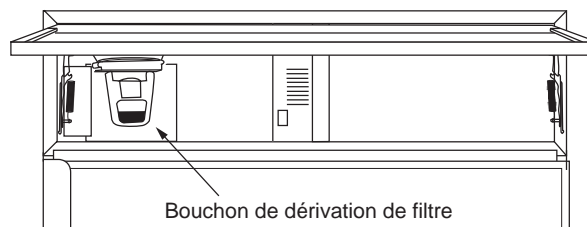
Fermez l'alimentation d'eau principale.

Ouvrez le robinet le plus près suffisamment longtemps pour nettoyer la conduite d'eau.

- Installez un robinet de sectionnement entre le robinet d'eau de la machine à glaçons et le tuyau d'eau froide dans le sous-sol ou une armoire. Le robinet de sectionnement doit être situé à un endroit aisément accessible.
- Ouvrez l'alimentation d'eau principale et rincez les débris. Faites couler environ un litre d'eau à travers le tuyau aboutissant dans un seau. Coupez l'alimentation d'eau au robinet de sectionnement.

REMARQUE : Des robinet de sectionnement à étrier sont inclus dans plusieurs trousse d'alimentation d'eau, mais ils ne sont pas recommandés pour cette application.

REMARQUE : Les codes de plomberie 248CMR du Commonwealth du Massachusetts doivent être satisfaits. Les robinets à étrier sont illégaux et leur utilisation prohibée dans le Massachusetts. Consultez votre plombier agréé.



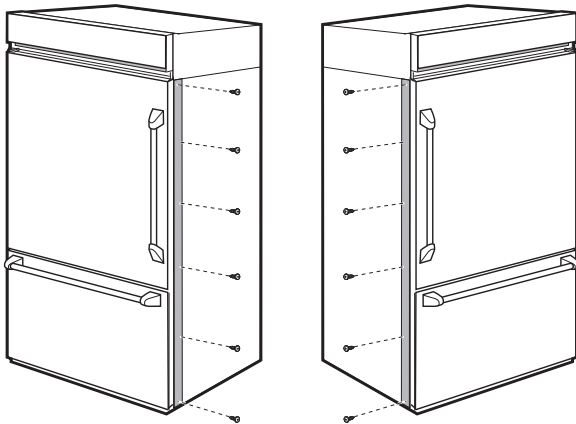
Si l'alimentation en eau du réfrigérateur provient d'un système par osmose, utilisez le bouchon de contournement du filtre du réfrigérateur. L'utilisation d'une cartouche filtrant l'eau du réfrigérateur équipé d'un filtre pour osmose peut produire des glaçons creux.

INSTRUCTIONS D'INSTALLATION

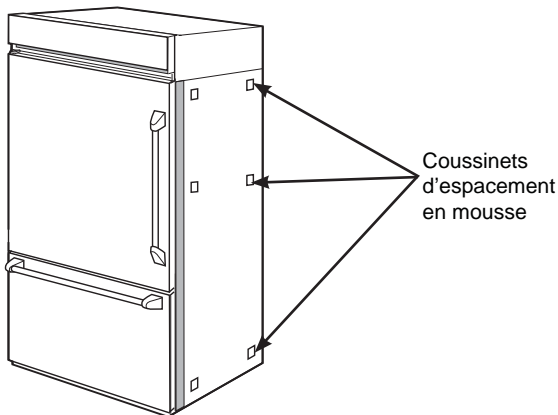
ÉTAPE 3 INSTALLATION DE LA NOUVELLE GARNITURE CENTRALE

REMARQUER : Manipulez les pièces soigneusement pour éviter de les rayer.

- Retirez les garnitures intérieures et supérieures de caisson installées en usine.
- Installez les garnitures intérieures de caisson (B et C) en plaçant les encoches vers le bas. Installez les vis (I) dans les cinq (5) fentes de chaque garniture.



- Appelez les coussinets d'espacement en mousse fournis (G) sur la surface mate d'un produit, comme montré.

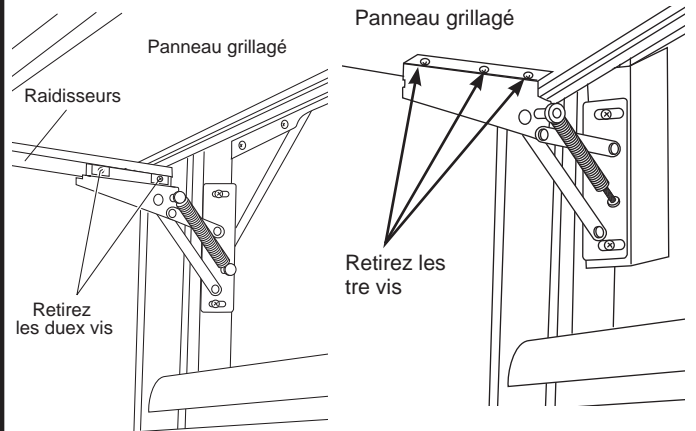


REMARQUE : Les installations à encastrement affleurant requièrent la trousse ZKFN. La trousse ZKFN comprend les garnitures pour charnière côté caisson qui devront être installées pendant cette étape. La quincaillerie requise pour installer ces garnitures est fournie dans la trousse ZKFN.

ÉTAPE 4 RETRAIT DES DEUX CADRES DE PANNEAU GRILLAGÉ

- Retirez les deux (2) ou trois (3) vis fixant le panneau grillagé à la charnière, de chaque côté. Soulevez le panneau grillagé hors des charnières. Jetez les deux panneaux grillagés. Conservez les vis ou utilisez les vis (L) fournies.

Laissez les charnières en position ouverte. Ne refermez pas les charnières.

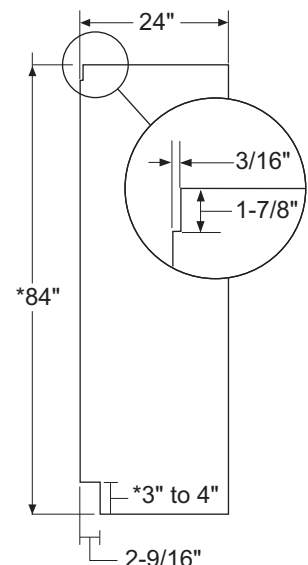


ÉTAPE 5 INSTALLATION DES PANNEAUX LATÉRAUX

Les panneaux latéraux doivent être utilisés lorsque les côtés du réfrigérateur sont exposés. Les panneaux latéraux de 0,63 cm (1/4 po) s'insèrent dans la garniture latérale du caisson. Fixez les panneaux au réfrigérateur avec les rubans autogrrippants. Commandez les panneaux latéraux auprès du fabricant d'armoires.

- Découpez une encoche au coin supérieur avant, comme montré, pour laisser un espace aux clavettes d'angle devant la garniture latérale.

* Selon la hauteur de l'installation.



INSTRUCTIONS D'INSTALLATION

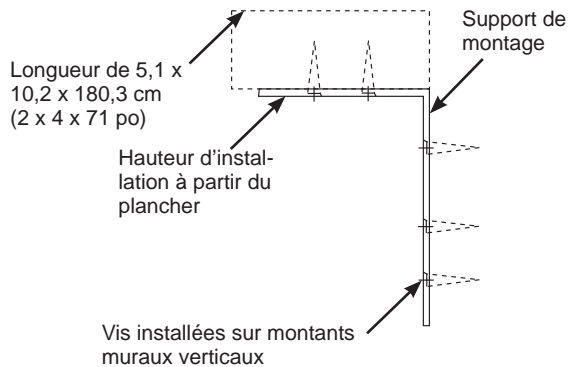
ÉTAPE 6 INSTALLATION DU SUPPORT ANTIBASCULEMENT

⚠ AVERTISSEMENT

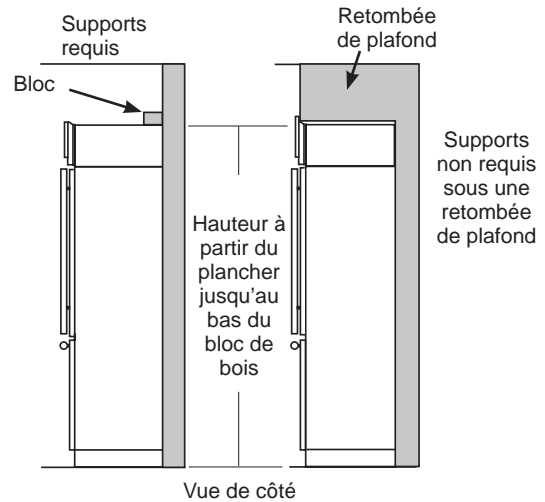


Risque de basculement Ces réfrigérateurs présentent une partie supérieure lourde, en particulier avec une porte ouverte; ils doivent donc être fixés pour prévenir le basculement vers l'avant et le risque concomitant de blessure grave ou fatale. Lisez et suivez les instructions d'installation complètes pour l'installation du système anti-basculement.

- Découpez un bloc de 5,1 x 10,2 x 180,3 cm (2 x 4 x 71 po) et fixez-le aux supports de montage fournis en utilisant des vis à bois no 12 ou no 14.



- Sécurisez le support et le bloc de bois au mur arrière de manière à ce qu'il soit à une hauteur de 213,4 cm (84 po) (ou votre hauteur d'installation) à partir du plancher fini. Utilisez les vis à bois no 12 et no 14. Voir l'illustration.
- Les vis doivent pénétrer sur une distance d'au moins 2,5 cm (1 po) dans les montants muraux verticaux.



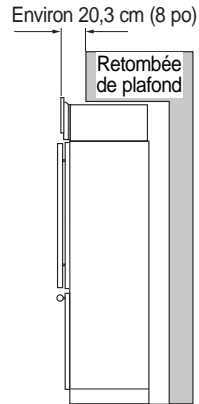
- Avant de pousser le réfrigérateur dans l'ouverture, branchez le cordon électrique dans la prise. Ouvrez le panneau de grille sur la gauche et prenez le cordon électrique à l'arrière de l'ouverture. Tirez le cordon dans l'ouverture à mesure que vous repoussez le réfrigérateur.
- Poussez avec soin le réfrigérateur dans l'ouverture avec les mains sur les coins frontaux.

IMPORTANT : Lorsque le réfrigérateur est installé en-dessous d'un soffite, ou si la hauteur n'est pas suffisante pour cette méthode de sécurité, on ne peut pas utiliser de supports. Allez à l'étape 8 pour mettre le réfrigérateur de niveau puis à l'étape 10 pour le fixer aux armoires. Le réfrigérateur doit être fixé afin de prévenir le basculement.

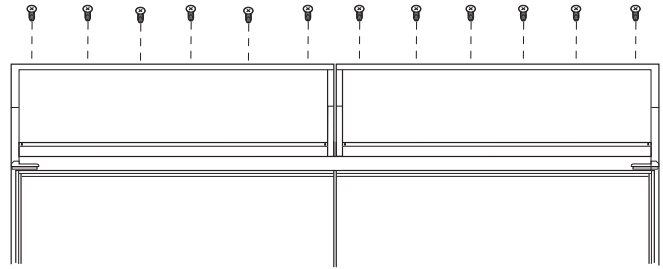
INSTRUCTIONS D'INSTALLATION

ÉTAPE 7 POSITION REFRIGERATOR AND INSTALL TOP TRIM

- Avant de pousser les réfrigérateurs dans l'ouverture, branchez les cordons d'alimentation dans les prises. Passez par le dessus de l'ouverture pour attraper le cordon d'alimentation. Tirez le cordon d'alimentation dans l'ouverture et poussez le réfrigérateur en place.
- Placez vos mains contre les coins frontaux puis poussez le réfrigérateur à mi-course dans l'ouverture. Le réfrigérateur devrait être à une distance approximative de 20,3 cm (8 po) du mur arrière.
- Poussez doucement le deuxième réfrigérateur près de l'autre. Les portes des réfrigérateurs doivent être affleurantes les unes aux autres et les garnitures intérieures doivent se rejoindre.
- Installez un support de coin (K) de chaque côté de la garniture supérieure (A). Utilisez 4 vis (M) au besoin.
- Placez la garniture supérieure sur le dessus des réfrigérateurs et glissez les supports de coin dans les garnitures de caisson extérieures.



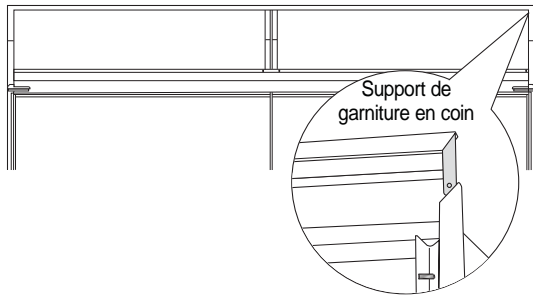
- Installez huit (8) vis (I) sur le dessus de la garniture et sur le dessus du caisson.
- Assurez-vous que les garnitures intérieures sont alignées sur le dessus et sur le bas. Il devrait y avoir un petit espace entre les garnitures de caisson.
- Retirez le cache-joint horizontal au bas du panneau grillagé. Vous devrez retirer six (6) vis de chaque cache-joint horizontal au bas du panneau grillagé. Conservez ces vis pour les utiliser lors d'une autre étape.



POUSSER LE RÉFRIGÉRATEUR DANS L'OUVERTURE

REMARQUE : IL FAUT DEUX (2) PERSONNES POUR POUSSER LES RÉFRIGÉRATEURS ASSEMBLÉS DANS L'OUVERTURE.

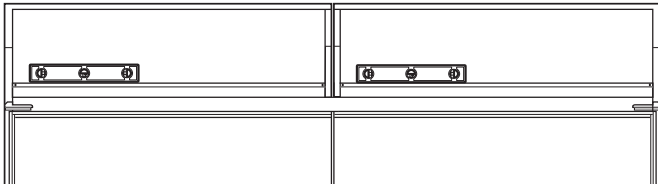
- Placez vos mains contre les coins frontaux puis poussez lentement les réfrigérateurs assemblés dans l'ouverture ou contre le mur arrière.



INSTRUCTIONS D'INSTALLATION

ÉTAPE 8 METTRE LE RÉFRIGÉRATEUR DE NIVEAU

Placez un niveau à l'intérieur, dans la partie supérieure de chaque appareil.

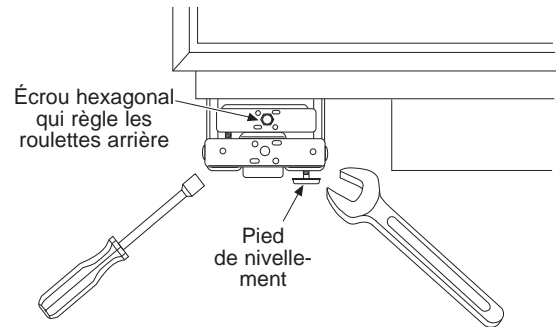


Les deux réfrigérateurs **DOIVENT ÊTRE À NIVEAU ET D'APLOMB** avec l'autre et de chaque côté avec l'armoire adjacente.

Les tiroirs doivent être à niveau les uns par rapport aux autres.

Les deux réfrigérateurs sont équipés de quatre (4) points de nivellement. Le devant est soutenu par des pattes de nivellement et l'arrière est soutenu par des roues réglables.

- Pour niveler l'arrière du réfrigérateur, tournez l'écrou hexagonal 7/16 po situé au dessus des roulettes avant. Tournez dans le sens des aiguilles pour lever l'appareil, dans le sens inverse pour le baisser.
- Pour niveler le devant, utilisez une clé ouverte 1 1/4 po (3,175 cm).



- Ajustez la hauteur du réfrigérateur pour l'adapter à l'ouverture de 83 1/2 po (212,09 cm) à 84 1/2 po (214,63 cm). Le réfrigérateur doit être de niveau et aplombé aux armoires.

Les roulettes de nivellement arrière et les pieds de nivellement avant sont limités à une hauteur de réglage maximale de 1 po. Si l'installation exige une hauteur supérieure à 84 1/2 po, l'installateur doit surélever l'appareil sur une feuille de contre-plaqué ou des rails. On peut aussi ajouter une garniture d'armoire dans le haut de l'ouverture pour raccourcir celle-ci. Une tentative de lever le réfrigérateur de plus de 1 po (2,54 cm) endommagera les pieds de nivellement avant et les roulettes de nivellement arrière.

INSTRUCTIONS D'INSTALLATION

ÉTAPE 9 INSTALLATION DU SUPPORT ANTIBASCULEMENT

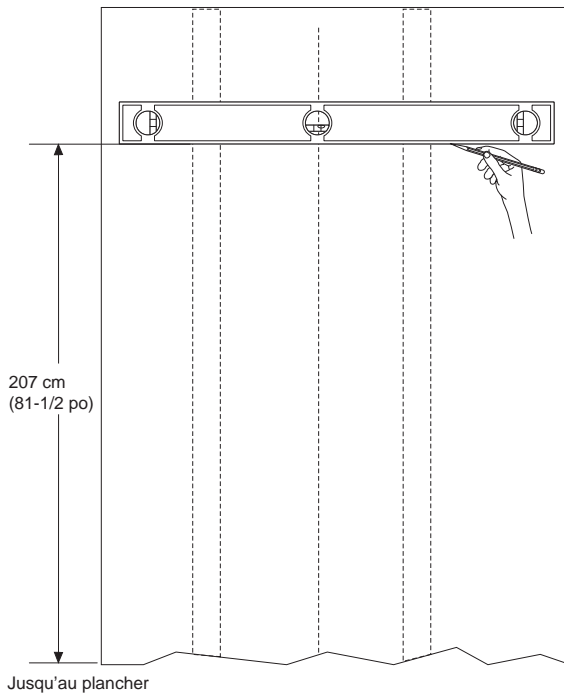
⚠ AVERTISSEMENT



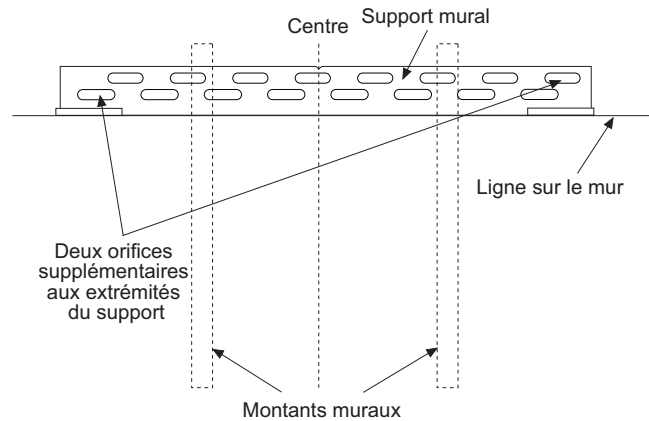
Risque de

basculement L'appareil ménager est beaucoup plus lourd en haut et il faut le maintenir en place pour éviter la possibilité de son basculement vers l'avant.

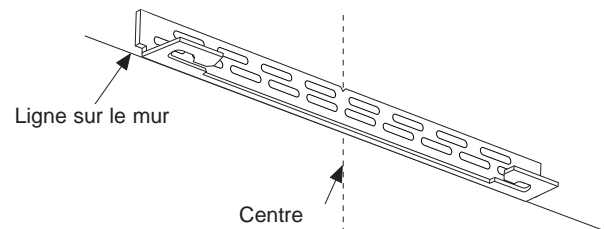
- La trousse fournie avec l'appareil contient 2 tirefonds et 4 orifices filetés à ailettes avec boulons. Le support mural sera fixé au mur à 4 endroits.
- Mesurez l'ouverture où l'appareil sera installé. Marquez une ligne verticale au centre.
- Mesurez 81 1/2 po (207,01 cm) depuis le plancher. Marquez ce point sur le mur.
- À l'aide d'un niveau, tracez une ligne horizontale sur le mur à cette hauteur.
- Repérez au moins 2 montants sur le mur arrière. Marquez ces points sur la ligne horizontale.



- Placez le bas du support mural avec ses languettes sur la ligne horizontale. Alignez l'encoche centrale du support sur la ligne de centre sur le mur.



- Le support mural antibasculement est doté d'une série de trous. Identifiez 2 trous vis-à-vis les montants repérés. Assurez-vous que les trous identifiés se situent au centre des montants.
- Marquez un trou supplémentaire à chaque extrémité du support. Si l'un des montants se trouve plus près de l'extrémité du support, marquez un trou supplémentaire vers le centre.



- Percez des trous de 1/2 po (1,27 cm) dans le panneau mural aux marques des points de montage des orifices à ailettes (et non aux marques des montants muraux).
- Percez des trous 3/16 po (0,47 cm) dans les montants en bois aux marques. Si les montants sont en métal, percez des trous de 1/2 po dans les montants aux marques. Vous utiliserez 2 orifices à ailettes pour boulons avec les montants métalliques.

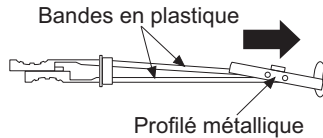
INSTRUCTIONS D'INSTALLATION

ÉTAPE 9 INSTALLATION DU SUPPORT ANTIBASCULEMENT (suite)

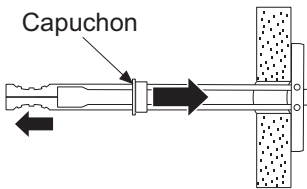
Posez les orifices à ailettes :

Pour se procurer les orifices à ailettes avec leurs boulons, on peut commander la trousse de réparation no WR49X10193. Les orifices à ailettes sont posés dans la cloison sèche et les montants métalliques à des fins de stabilité. Posez les orifices à ailettes comme suit :

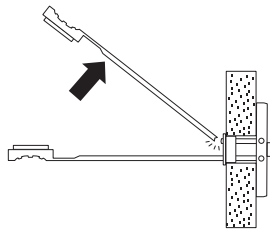
- Percez des trous de 1/2 po (1,27 cm) aux marques faites dans les trous aux extrémités du support mural.
- Tenez le profilé métallique à plat contre les bandes en plastique et glissez le profilé dans le trou.



- Tirez délicatement les extrémités des bandes en plastique pour appuyer le profilé à plat derrière le mur.

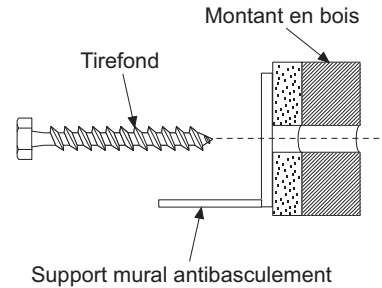


- Tenez les extrémités des bandes avec une main et glissez le capuchon en plastique le long des bandes jusqu'à ce que le rebord du capuchon soit à égalité avec le mur.
- Placez votre pouce entre les bandes en plastique et pliez vers le haut et le bas pour sectionner les bandes hors du mur.

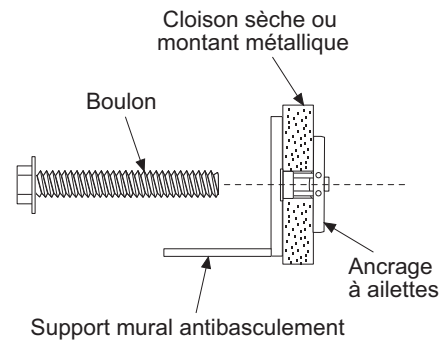


Poser les vis et les boulons :

- Demandez à une personne de tenir le support mural centré et bien en place, chaque trou aligné sur la fente appropriée du support, de niveau avec la ligne horizontale.



- Insérez les tire-fonds dans le support et dans le montant. Serrez avec une clé.



- Insérez les tirefonds à travers le support et le montant. Serrez avec une clé.

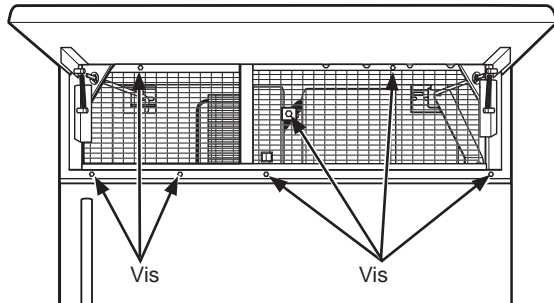
INSTRUCTIONS D'INSTALLATION

ÉTAPE 9 INSTALLATION DU SUPPORT ANTIBASCULEMENT(suite)

Retirez les panneaux grillagés pour accéder aux crochets de fixation antibasculement.

Compartment de réfrigération

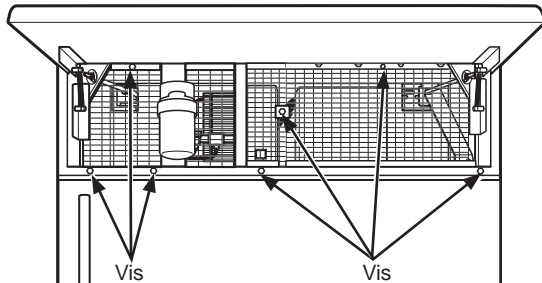
- Ouvrez la porte d'accès.
- Retirez les quatre (4) vis à droite du panneau grillagé et retirez les trois (3) vis à gauche du panneau grillagé.



- Tirez la partie inférieure des panneaux grillagés vers vous, vers le bas et sortez-les.

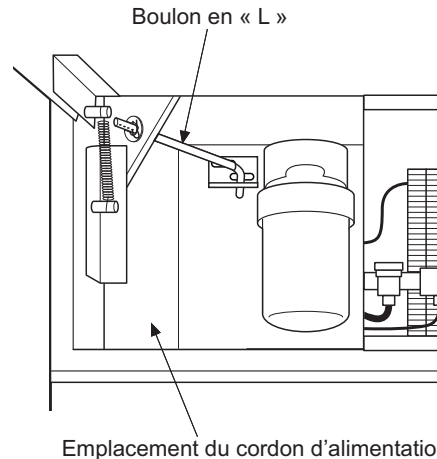
Compartment de congélation

- Ouvrez la porte d'accès.
- Retirez les quatre (4) vis à droite du panneau grillagé et retirez les trois (3) vis à gauche du panneau grillagé.
- Tirez la partie inférieure des panneaux grillagés vers vous, vers le bas et sortez-les.



Cordon d'alimentation

Repérez le cordon d'alimentation à l'intérieur de la cavité gauche. Si cela n'est pas déjà fait, ajustez la fiche pour qu'elle soit facilement accessible.



Déplacement de l'appareil en position finale

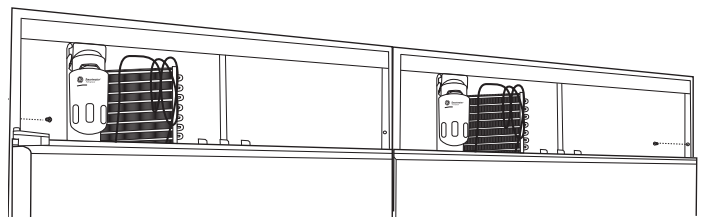
- Déplacez l'appareil vers son emplacement d'installation final. Alignez les languettes du support mural avec les ouvertures situées à l'arrière de l'appareil.
- L'appareil est équipé de boulons en « L » aux coins supérieurs gauche et droit à l'intérieur du compartiment d'accès. Ces boulons s'enclencheront dans le support mural. Sécurisez l'appareil en utilisant les rondelles et les goupilles en épingle à cheveux de la trousse de quincaillerie dès que l'appareil est à niveau en dans sa position finale.

ÉTAPE 10 ASSUJETISSEMENT DU RÉFRIGÉRATEUR À L'ARMOIRE

Lorsque cela est possible, exécutez cette étape pour empêcher l'appareil de basculer ou si vous ne pouvez utiliser les supports antibasculement.

Le réfrigérateur doit être assujéti pour éviter son basculement.

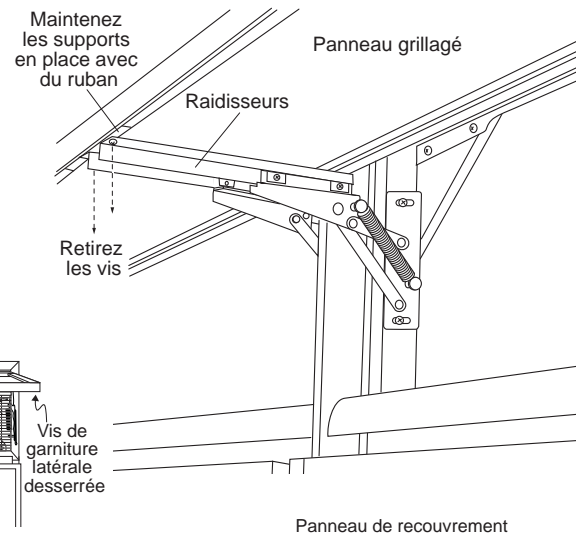
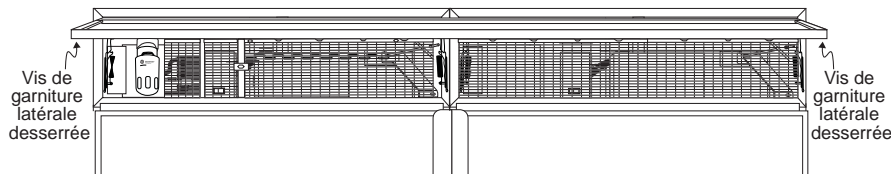
- Soulevez le panneau grillagé pour accéder à la garniture de caisson.
- Percez un trou dans la garniture et insérez une vis (I) dans la garniture et dans l'armoire adjacente.
- Répétez pour l'autre côté.



INSTRUCTIONS D'INSTALLATION

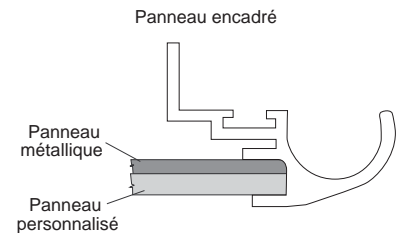
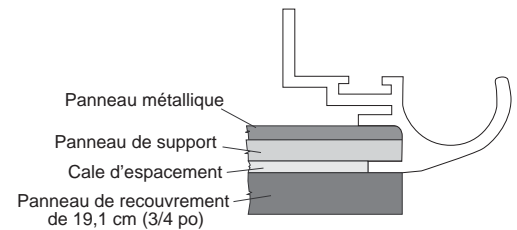
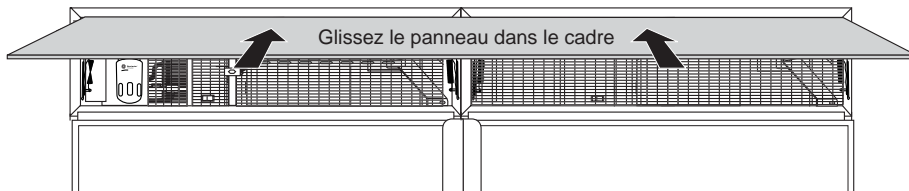
ÉTAPE 11A INSTALLATION DU PANNEAU D'ASSEMBLAGE GRILLAGÉ PERSONNALISÉ

- Retirez les quatre (4) vis fixant les raidisseurs de charnière centrale aux petits supports de cadre d'assemblage. Conservez ces vis; utilisez du ruban pour maintenir les petits supports en place.
- Placez le cadre du panneau d'assemblage grillagé par-dessus les charnières aux extrémités gauche et droite en faisant correspondre avec les emplacements de trou de vis. Installez les vis noires (L) fournies dans la charnière et le raidisseur de chaque côté.
- Desserrez les vis de chaque côté de la garniture derrière le cadre. Retirez la garniture inférieure.



INSTALLATION DES PANNEAUX PERSONNALISÉS

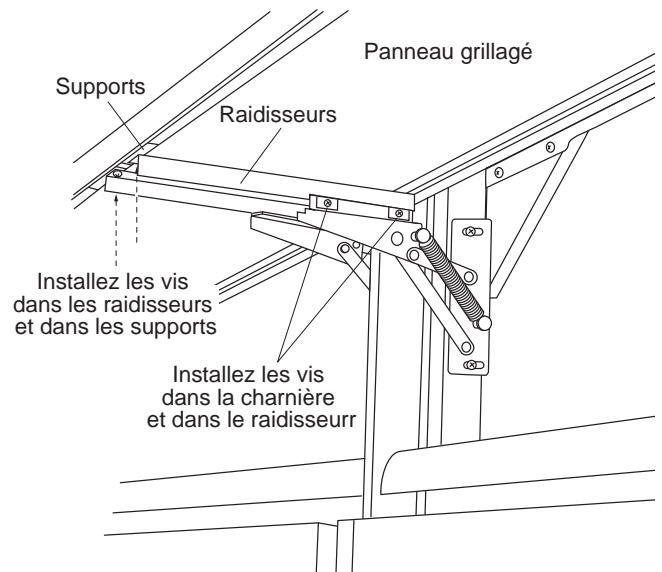
- Glissez le panneau encastré affleurant ou de recouvrement par-dessus le panneau de support métallique et dans la garniture. Si nécessaire, frappez avec un bloc de bois jusqu'à ce que le panneau glisse sous la pièce de garniture supérieure.
- Réassemblez la garniture inférieure. Serrez les vis.



FIXATION DU PANNEAU AUX CHARNIÈRES CENTRALES

- Réinstallez les raidisseurs centraux et glissez-les jusqu'à ce qu'ils rejoignent les charnières centrales.
- Installez les vis noires (L) fournies sur les charnières centrales et dans les raidisseurs.
- Serrez les vis d'origine dans les raidisseurs et dans les petits supports au bas de la garniture.
- Tenez le panneau grillagé au centre et tirez-le vers le bas pour fermer.

REMARQUES : Vérifiez l'alignement du panneau grillagé par rapport au-dessus des portes. Pour ajuster, desserrez les vis du support de charnière des quatre (4) charnières. Ajustez puis serrez les vis.



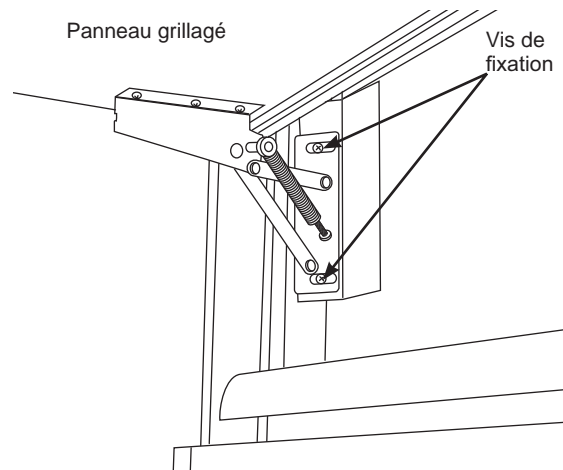
INSTRUCTIONS D'INSTALLATION

ÉTAPE 11B INSTALLATION DU PANNEAU D'ASSEMBLAGE GRILLAGÉ EN ACIER INOXYDABLE

L'installation du panneau grillagé doit être faite par deux (2) personnes.

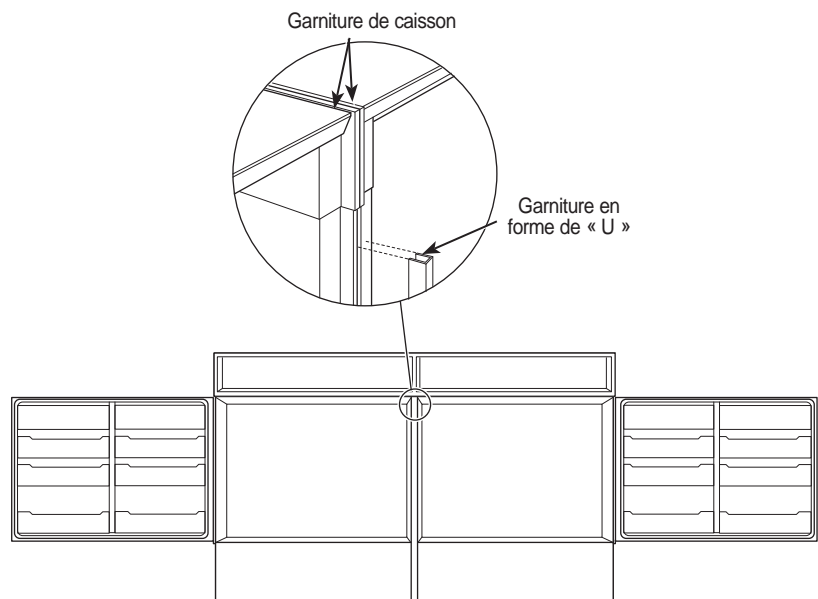
- Alignez les trous à collerettes du panneau d'assemblage grillagé en acier inoxydable avec la charnière se situant le plus vers la gauche. Insérez trois (3) vis dans la charnière et dans le panneau. Insérez trois (3) vis dans la charnière se situant le plus vers la droite et dans le panneau. Répétez pour les charnières centrales.
- Tenez le panneau grillagé au centre et tirez-le vers le bas pour fermer.

REMARQUE : Pour ajuster le panneau grillagé vers l'avant ou l'arrière, desserrez deux (2) vis de fixation sur les quatre (4) charnières. Glissez le panneau grillagé vers l'extérieur ou vers l'intérieur. Serrez à nouveau les vis.



ÉTAPE 12 INSTALLATION DE LA BANDE COUVRE-JOINT CENTRALE

- Ouvrez complètement les portes.
- Les garnitures de caisson doivent être alignées correctement au haut et au bas tout en laissant un mince espace entre elles.
- En commençant par le haut, pressez la bande couvre-joint centrale en forme de « U » (D) sur les garnitures de caisson intérieures des deux réfrigérateurs.
- Continuez d'appuyer sur la garniture jusqu'à ce qu'elle atteigne le bas des garnitures de caisson. La garniture doit être alignée avec les garnitures supérieure et inférieure du caisson.

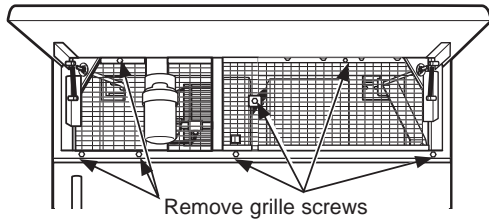


INSTRUCTIONS D'INSTALLATION

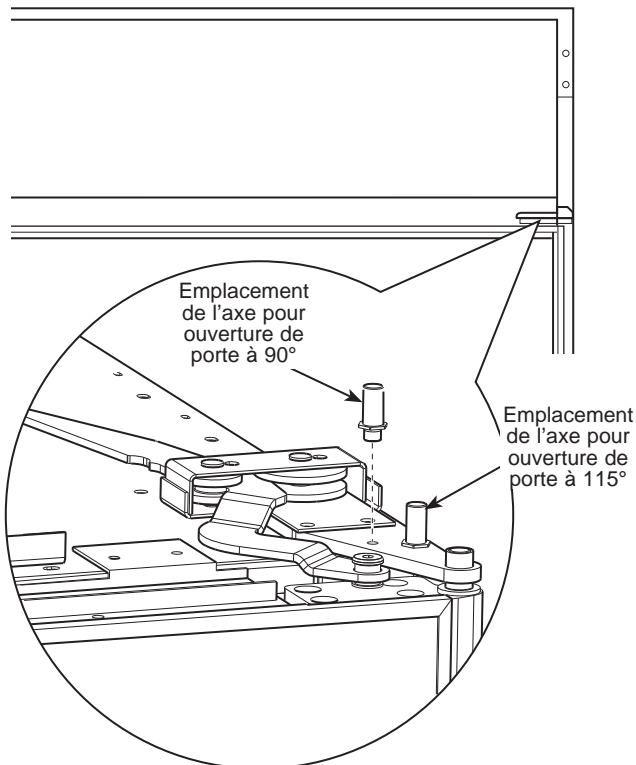
ÉTAPE 13 AJUSTER L'OUVERTURE DE PORTE

REMARQUE : Ce réfrigérateur est doté d'une butée de porte à 3 positions. Lorsque l'espace est insuffisant pour une ouverture de porte complète à 130°, on peut ramener l'ouverture à 90°. **Sautez cette étape si l'ouverture de porte est satisfaisante pour votre installation.**

- Soulevez le panneau de grille pour accéder à la garniture du couvercle grillagé.



- Retirez les vis des deux côtés de la garniture du couvercle grillagé et faites pivoter pour dégager.
- Utilisez une pince pour dévisser la butée de porte puis réinstallez à la position 90° ou 130° (pour l'installation standard).
- Réinstallez la garniture de couvercle grillagé.



⚠ AVERTISSEMENT



Risque de pincement de

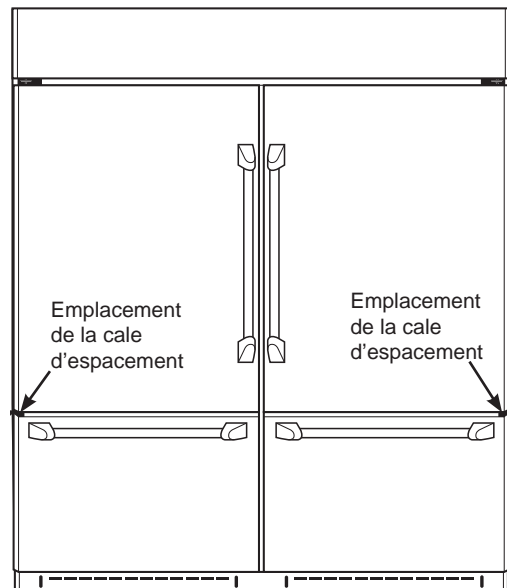
doigts : Une installation incorrecte peut poser un risque de coincement de doigts entre la garniture de porte latérale et les armoires en actionnant la porte, en particulier pour les enfants. Pour réduire ce risque, vous devez suivre les instructions d'installation relatives aux dimensions d'armoire, au montage des garnitures et à l'angle de l'arrêt de porte.

ÉTAPE 14 VÉRIFICATION ET CORRECTION DE L'ALIGNEMENT DE PORTE

- Fermez le panneau grillagé et les deux (2) portes.
- Assurez-vous que les tiroirs du congélateur et le bas des portes sont horizontaux et égaux avec les coins intérieurs inférieurs.
- Mesurez soigneusement les coins intérieurs afin de déterminer si un ajustement est nécessaire. Une différence de 0,8 mm (1/32 po) est acceptable et ne requiert pas d'ajustement.

PASSEZ CETTE ÉTAPE SI LES PORTES SONT À NIVEAU.

IMPORTANT : Si les portes sont bien désalignées, il faudra les retirer et installer les cales d'espacement afin de soulever ou abaisser les deux (2) portes.



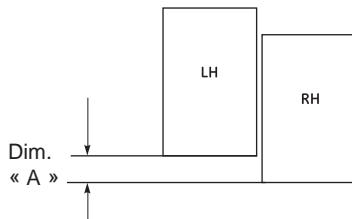
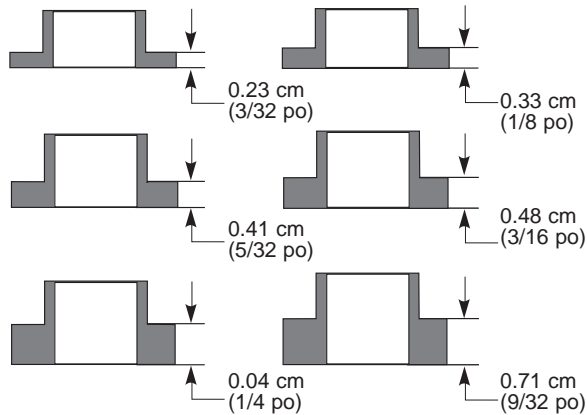
INSTRUCTIONS D'INSTALLATION

ÉTAPE 14 VÉRIFICATION ET CORRECTION DE L'ALIGNEMENT DE PORTE (suite)

REMARQUER : Suivez les instructions très soigneusement.

DÉTERMINATION DE LA CALE D'ESPACEMENT REQUISE

Cette trousse comprend douze (12) cales d'espacement en plastique (J). (2 de chaque dimension). Faites correspondre la cale d'espacement avec l'illustration ci-dessous pour vous assurer que vous choisissiez la bonne dimension selon les tableaux ci-dessous.



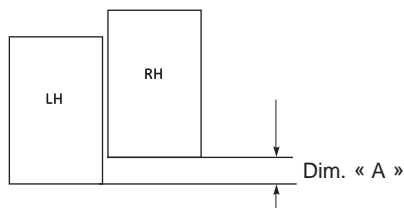
Porte du réfrigérateur à gauche est plus haute que la porte droite :

Sélectionnez les bonnes cales d'espacement à installer sur les charnières du réfrigérateur comme déterminé par la dimension « A ».

Dim. « A » pour porte gauche	Installez la cale d'espacement pour porte droite	Installez la cale d'espacement pour porte gauche
1/32 po à 1/16 po	3/32 po	1/4 po
1/16 po à 3/32 po	3/16 po	1/4 po
3/32 po à 1/8 po	5/32 po	1/4 po
1/8 po à 5/32 po	1/8 po	1/4 po
5/32 po à 3/16 po	1/8 po	9/32 po
3/16 po à 7/32 po	1/4 po	9/32 po

Porte du réfrigérateur droite plus haute que la porte gauche :

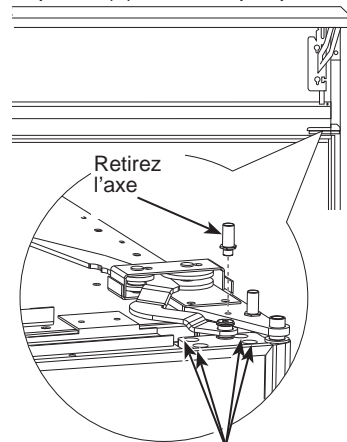
Sélectionnez les bonnes cales d'espacement à installer sur les charnières du réfrigérateur comme déterminé par la dimension « A ».



Dim. « A » pour porte droite	Installez la cale d'espacement pour porte droite	Installez la cale d'espacement pour porte gauche
1/32 po à 1/16 po	1/4 po	3/32 po
1/16 po à 3/32 po	1/4 po	3/16 po
3/32 po à 1/8 po	1/4 po	5/32 po
1/8 po à 5/32 po	1/4 po	1/8 po
5/32 po à 3/16 po	9/32 po	1/8 po
3/16 po à 7/32 po	9/32 po	3/32 po

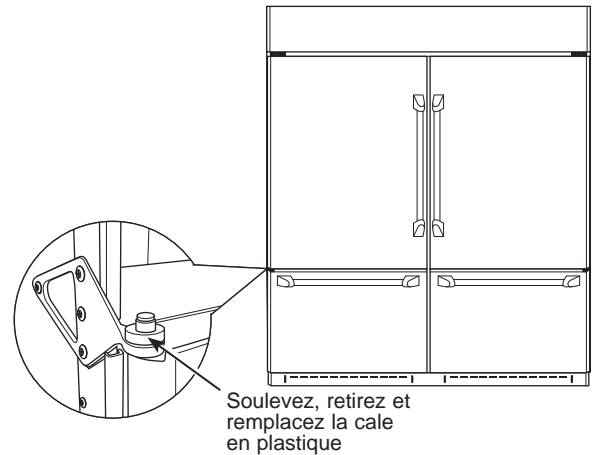
REMARQUE : Si l'emballage de cales d'espacement est perdu, commandez une trousse de rechange WR49X10162.

- Ouvrez le panneau grillagé.
- Retirez les quatre (4) vis de la plaque de charnière.



Retirez quatre (4) vis

- Utilisez des pinces pour retirer la tige de butée de porte.
- Soulevez et retirez la porte hors de l'axe de charnière. La porte doit être maintenue en place pendant le changement des cales d'espacement.

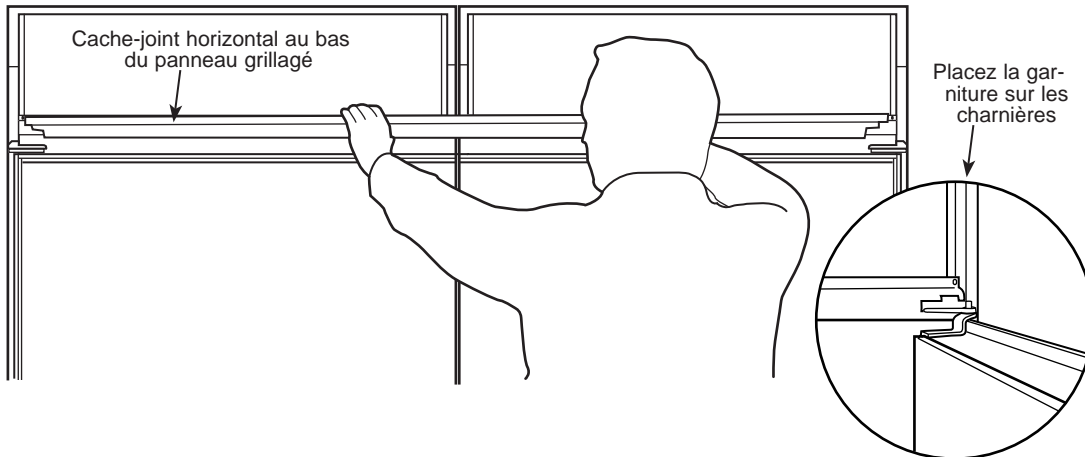


- Retirez la cale d'espacement en plastique d'origine.
- Placez la cale d'espacement choisie sur la charnière.
- Inversez toutes les étapes pour réinstaller la porte.

INSTRUCTIONS D'INSTALLATION

ÉTAPE 15 CACHE-JOINT HORIZONTAL AU BAS DU PANNEAU GRILLAGÉ

- Ouvrez complètement les portes. Ouvrez le panneau grillagé.
- Réinstallez les douze (12) vis pour installer le cache-joint horizontal au bas du panneau d'assemblage grillagé double longueur et les grilles métalliques. Consultez l'étape 7.
- Installez le cache-joint horizontal au bas de la grille d'assemblage double largeur (E) en glissant les extrémités à encoche par-dessus les charnières de porte et derrière les grilles métalliques.



ÉTAPE 16 RACCORDEMENT DE L'ALIMENTATION D'EAU

Raccordez l'alimentation en eau des deux réfrigérateurs.

- Repérez et acheminez le tuyau à l'avant de l'armoire.
- Ouvrez l'alimentation d'eau pour rincer les débris de la conduite. Faites couler environ un litre d'eau à travers le tuyau aboutissant dans un seau, puis fermez l'alimentation d'eau.

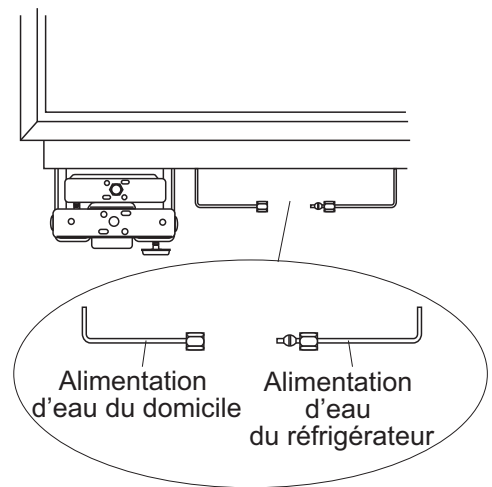
Tuyau de cuivre :

- Enfilez un écrou 1/4 po et une bague d'extrémité (fournis) aux deux bouts du tuyau de cuivre. Insérez le tuyau dans le raccord union sur l'appareil et serrez l'écrou sur le raccord union.
- Ouvrez l'alimentation d'eau pour vérifier l'absence de fuites.

Tuyau SmartConnect™ :

- Insérez l'extrémité moulée du tube dans le raccord du réfrigérateur. Serrez l'écrou à compression à la main.
- Serrez ensuite d'un tour supplémentaire avec une clé. Un serrage excessif peut causer des fuites!
- Ouvrez l'alimentation d'eau pour vérifier l'absence de fuites.

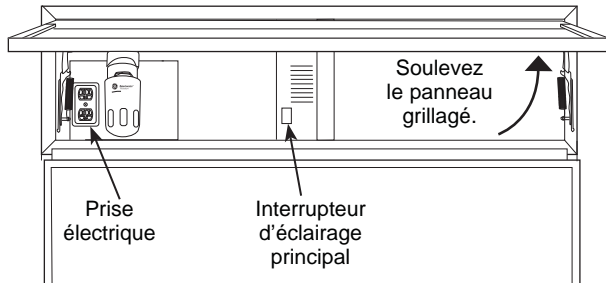
REMARQUE : Assurez-vous que la longueur de tuyau excédentaire ne gêne pas la fermeture du tiroir ou l'installation du coup-de-pied.



INSTRUCTIONS D'INSTALLATION

ÉTAPE 17 BRANCHER L'ALIMENTATION ÉLECTRIQUE

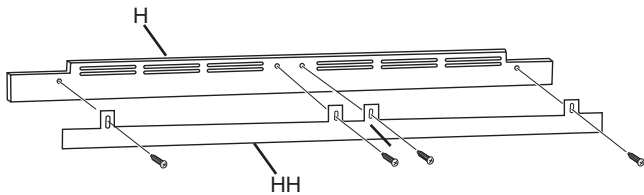
- Assurez-vous que le cordon électrique est branché dans la prise.



- Assurez-vous que l'électricité alimente le réfrigérateur en ouvrant la porte pour voir si les lampes sont allumées.
- Les commandes de température sont pré-réglées à 37 °F (2,78 °C) pour le compartiment réfrigérateur et 0 °F (-17,78 °C) pour le congélateur.
- Allouez 24 heures pour stabiliser la température avant de faire des réglages.

ÉTAPE 18 INSTALLER LE COUP-DE-PIED

- Fixez l'assemblage de coup-de-pied au réfrigérateur en utilisant les quatre (4) vis (I) fournies; une de chaque côté et deux au centre.



ÉTAPE 18B INSTALLATION D'UN COUP-DE-PIED PERSONNALISÉ POUR UNE INSTALLATION STANDARD

- Un coup-de-pied personnalisé agencé ou complétant les armoires de la pièce peut être installé. Utilisez le coup-de-pied fourni comme gabarit pour découper la forme.

IMPORTANT : Un coup-de-pied personnalisé agencé ou complétant les armoires de la pièce peut être installé, MAIS ne doit pas recouvrir les fentes d'aération horizontales du coup-de-pied fabriqué en usine.

ÉTAPE 18C INSTALLATION D'UN COUP-DE-PIED PERSONNALISÉ POUR UNE INSTALLATION À ENCASTREMENT AFFLEURANT

- Un coup-de-pied personnalisé agencé ou complétant les armoires avoisinantes. Consultez les instructions d'installation pour la trousse ZKFN.

INSTRUCTIONS D'INSTALLATION

INSPECTION FINALE DE L'INSTALLATION

Vérification de l'alignement de porte

Éloignez-vous du réfrigérateur afin d'inspecter l'installation finale.

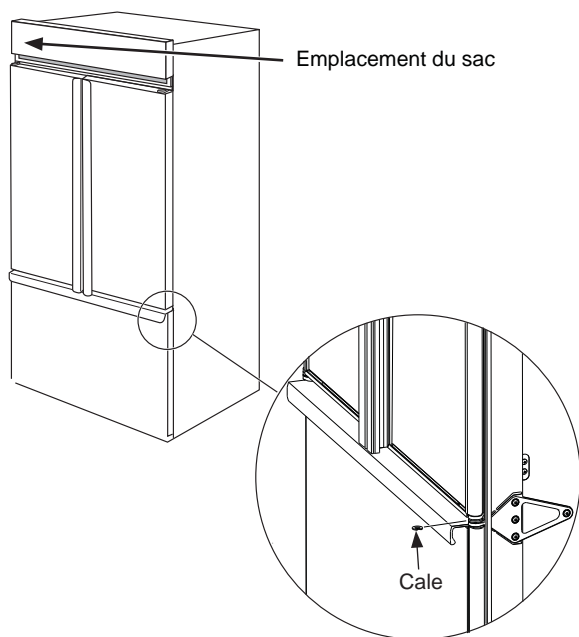
- L'installation ou l'ajout de panneaux de porte lourds peut provoquer un léger désalignement des portes. Assurez-vous que le dessus de porte est correctement aligné par rapport à l'autre. Si nécessaire, ajustez les portes vers le haut ou le bas pour rétablir l'alignement.
- Ajoutez ou retirez des cales, comme montré, pour ajuster seulement la porte droite. Vous trouverez d'autres cales situées sous le capot sur le côté gauche dans le sac avec le bouchon de dérivation du filtre et le mini manuel.

Pour relever la porte droite

- Soulevez la porte droite de manière à ce qu'un espace se crée sous la douille de la charnière inférieure.
- Enclenchez une cale sur l'axe de charnière sous la douille.
- Abaissez la porte et vérifiez à nouveau l'alignement.
- Répétez au besoin.

Pour abaisser la porte droite

- Soulevez la porte droite de manière à ce qu'un espace se crée sous la douille de la charnière inférieure.
- Retirez la cale en la poussant hors de l'axe de charnière.
- Abaissez la porte et vérifiez à nouveau l'alignement.
- Répétez au besoin.



REMARQUE : Veuillez porter des lunettes de protection en procédant aux installations décrites dans ce manuel.

REMARQUE : L'amélioration des produits constitue un effort constant chez Monogram. Par conséquent, les matières, l'apparence et les caractéristiques techniques sont sujettes à modification sans préavis.

INSTRUCCIONES DE INSTALACIÓN

Kit de Unificación de Acero Inoxidable ZKBSN720NSS y Kit de Unificación de Panel ZKBFN720NII

Este kit brinda los recursos para la instalación de un panel unificado con rejilla para un panel a medida con marco o superpuesto. El panel abarcará el ancho combinado de una instalación de un lado a otro.

Tiempo de Realización: Cuenten con aproximadamente 2 horas para instalar este kit.

IMPORTANTE: Se requiere contar con 2 personas para la instalación de este kit

Desconecte la corriente antes de comenzar.

CONTENIDOS:

GUÍA DE DISEÑO

INSTALACIÓN ESTÁNDAR - Caja Nivelada al Gabinete con Puertas Prominentes

El Espacio de Instalación	2
Dimensiones y Espacios Libres	2
Dimensiones del Panel con Rejilla	3

Guía De Diseño

INSTALACIÓN NIVELADA – Caja Insertada en el Gabinete con Puertas Niveladas

El Espacio de Instalación	3
-------------------------------------	---

INSTRUCCIONES DE INSTALACIÓN

MATERIALES	4
CONEXIÓN A TIERRA DE LA UNIDAD	5
PASO 1. RETIRE EL EMBALAJE	6
PASO 2. INSTALE LA TUBERÍA DE AGUA	6
PASO 3. INSTALE EL NUEVO MARCO CENTRAL	7
PASO 4. RETIRE AMBOS MARCOS DEL PANEL CON REJILLA	7
PASO 5. INSTALE LOS PANELES LATERALES	7
PASO 6. INSTALACIÓN DEL SOPORTE ANTI VOLCADURAS	8
PASO 7. POSICIONE EL REFRIGERADOR E INSTALE EL MARCO SUPERIOR	9
PASO 8. NIVELE EL REFRIGERADOR	10

PASO 9. INSTALE DEL SOPORTE ANTI VOLCADURAS	11
PASO 10. ASEGURE EL REFRIGERADOR A LOS GABINETES	13
PASO 11A. INSTALE EL PANEL CON REJILLA DE ACERO INOXIDABLE	14
PASO 11B. INSTALE EL MARCO DEL PANEL UNIFICADO	15
PASO 12. INSTALE LA TIRA DEL MARCO CENTRAL	15
PASO 13. AJUSTE EL GIRO DE LA PUERTA	15
PASO 14. CONTROLE Y CORRIJA LA ALINEACIÓN DE LA PUERTA	16
PASO 15. INSTALE LA BASE DE LA REJILLA	18
PASO 16. CONECTE EL SUMINISTRO DE AGUA	18
PASO 17. CONECTE LA CORRIENTE	19
PASO 18A. INSTALE EL ZÓCALO DE ACERO INOXIDABLE	19
PASO 18B. INSTALE EL ZÓCALO A MEDIDA PARA INSTALACIONES ESTÁNDARES	19
PASO 18C. INSTALE EL ZÓCALO A MEDIDA PARA INSTALACIONES CON INSERCIÓNES NIVELADAS	19

ANTES DE COMENZAR

Lea estas instrucciones en su totalidad y atentamente.

- **IMPORTANTE** – Conserve estas instrucciones para uso del inspector local. Cumpla con todos los códigos y ordenanzas gubernamentales.
- **Nota para el Instalador** – Asegúrese de entregarle estas instrucciones al Comprador.
- **Nota para el Consumidor** – Guarde estas instrucciones con su Manual del Propietario para referencia futura.

Si la unidad que recibió está dañada, se deberá comunicar de inmediato con su vendedor o fabricante.

Nivel de habilidad – La instalación de esta unidad requiere un nivel básico de habilidades mecánicas, de carpintería y plomería. La correcta instalación del producto es responsabilidad del instalador. Si se producen fallas en el producto debido a una instalación inadecuada, la Garantía de Monogram no cubrirá las mismas. Para obtener información sobre la garantía, consulte el Manual del Propietario.

⚠ ADVERTENCIA



Peligro de Incendio o Explosión Mantenga cualquier material y vapores inflamables alejados del electrodoméstico. Si no se cumple con esto, se podrá producir una explosión, un incendio o la muerte.

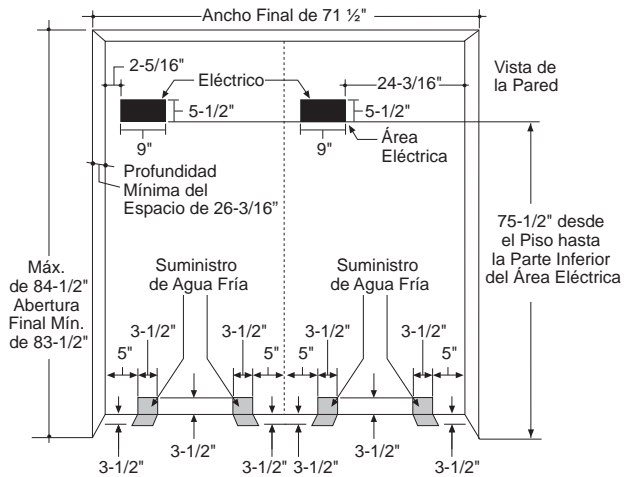
⚠ ADVERTENCIA

A fin de reducir el riesgo asociado con descargas, no permita que los niños menores de 3 años de edad tengan acceso a las partes pequeñas durante la instalación de este producto.

GUÍA DE DISEÑO - INSTALACIÓN ESTÁNDAR

EL ESPACIO DE INSTALACIÓN

El espacio de instalación deberá poseer un ancho de 71 1/2".



Ubicaciones de Agua y Electricidad

Los suministros eléctricos y de agua deberán ser ubicados como se muestra.

La Profundidad del Recorte Deberá Ser de 24" (60.96 cm)

El refrigerador se inclinará hacia adelante, levemente más allá del gabinete adyacente, dependiendo de su instalación.

Profundidad del espacio libre debajo de un sofito:

Cuando se instale debajo de un sofito, este último no podrá exceder la profundidad de instalación de 24" (60.96 cm) mostrada. El marco de la carcasa superior se superpone con la parte inferior del sofito.

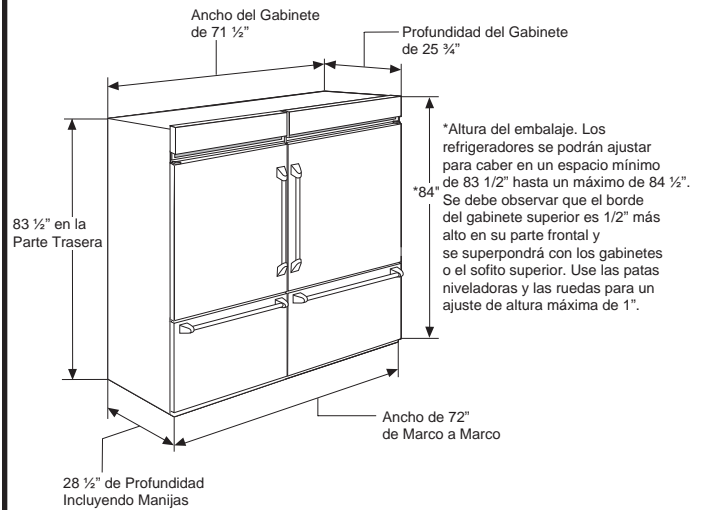
Especificaciones adicionales

- Se recomienda un suministro de corriente separado de 115 voltios, 60Hz., y 15 o 20 amperes para cada producto. Se recomienda el uso de un circuito individual derivado o un disyuntor correctamente conectado a tierra. Instale un receptáculo eléctrico de 3 patas correctamente conectado a tierra en la pared trasera. El receptáculo eléctrico deberá estar ubicado en la pared trasera como se muestra.

NOTA: No se recomienda el uso de un Interruptor de Falla de Tierra (GFI).

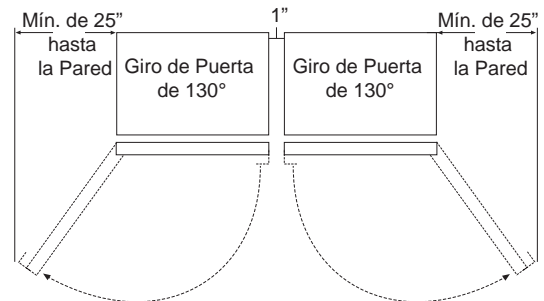
- Ambas tuberías de agua pueden ingresar a la abertura a través del piso o la pared trasera. Haga circular el kit de SmartConnect™ o una tubería de cobre con un diámetro externo de 1/4" entre la tubería de agua fría y la ubicación de la conexión de agua. La tubería deberá poseer una extensión suficiente como para llegar hasta el frente del refrigerador. Se requiere la instalación de una válvula de cierre fácilmente accesible en la tubería de agua.

DIMENSIONES Y ESPACIOS LIBRES



El Producto y los Espacios Libres

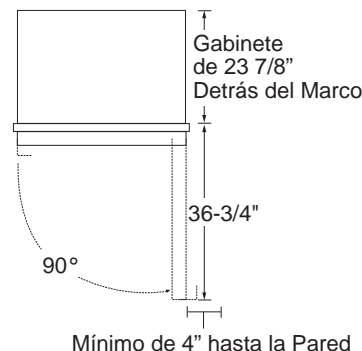
Estos refrigeradores están equipados con un dispositivo de detención de la puerta de 3 posiciones. El giro de la puerta de 115° original de fábrica se podrá ajustar a 90° si el espacio libre hasta los gabinetes adyacentes o paredes es restringido.



Cuente con un espacio mínimo de 25" para un giro de la puerta completo de 130°.

Deje 15" para el retiro de bandejas. Se requiere un espacio mínimo de 5" cuando el giro de la puerta se ajuste a 90°. Si se usa la posición de detención de la puerta a 90°, se mantendrá el acceso a las bandejas, pero se restringirá el retiro de las bandejas.

Consulte las ilustraciones para determinar la interacción del balanceo de la puerta con los gabinetes o mesadas adyacentes.

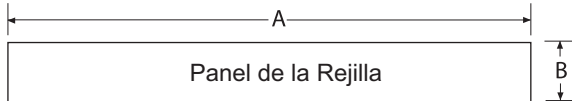


GUÍA DE DISEÑO - INSTALACIÓN ESTÁNDAR

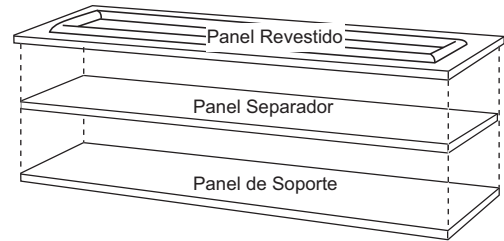
DIMENSIONES REQUERIDAS PARA LOS PANELES CON REJILLA

Los paneles se deberán recortar de acuerdo con las dimensiones mostradas.

NOTA IMPORTANTE: El peso máximo de la rejilla unificada es de 25 libras.



Ensamble los paneles revestidos como se muestra, usando pegamento y tornillos. Centre el panel espaciador sobre el panel de soporte. Centre el panel revestido sobre el panel de soporte y el espaciador.



Dimensiones del Panel con Marco

	A (Ancho)	B (Alto)
Panel con Marco de 1/4" (0.63 cm)	69-7/8" (177.48 cm)	8-7/8" (22.54 cm)

Dimensiones del Panel Revestido

	A (Ancho)	B (Alto)
Panel de Soporte de 1/4" (0.63 cm)	69-7/8" (177.48 cm)	8-7/8" (22.54 cm)
Panel Separador de 0.10" (0.25 cm)	68-1/2" (97.79 cm)	7-5/8" (20 cm)
Panel Revestido de 3/4" (1.9 cm)	70-1/8" (178.12 cm)	9" (22.86 cm)

DIMENSIONES DEL PANEL DE PUERTA UNIFICADO

Consulte el kit ZKFN en relación al Espacio de Instalación, Dimensiones del Panel con Puertas Unificadas, Dimensiones del Panel con Rejilla Unificada, Ristreles Laterales, Dimensiones del Zócalo.

INSTRUCCIONES DE INSTALACIÓN

Herramientas Requeridas

- Tijeras cortachapa para cortar bandas
- Escalera de dos hojas
- Balde
- Nivel
- Carro Manual para Electrodomésticos
- Cortatubos
- Llave de tuercas de 7/16"
- Destornillador Phillips n°1 y n°2
- Taladro y brocas apropiadas
- Enchufe de 5/16", 7/16"
- Gafas de seguridad
- Llave de tuercas de 1 1/4"
- Pinzas
- Trinquete de 1/4" or 1/4" angled wrench
- Tape measure
- Gloves to protect against sharp edges

Materiales Suministrados

- Tapón del bypass del filtro de agua
- Soportes anti volcaduras
- Tuerca y abrazadera de refuerzo de 1/4"

Listado de Piezas:

- A. Marco superior
- B. Marco izquierdo del gabinete interior
- C. Marco derecho del gabinete interior
- D. Centre el marco con forma de U
- E. Envoltorio de la base de la rejilla
- F. Panel con rejilla
- G. Almohadillas con espaciadores de gomaespuma (6)
- H. Zócalo
- HH. Cobertor de zócalo
- I. Tornillos Phillips (28)
- J. Paquete de 12 espaciadores de plástico
- K. 2 Soportes para ángulos de marcos
- L. Tornillos negros n° 8 a 32 x 3/8" (12)
- M. Tornillos n° 6 a 32 x .340 (4)

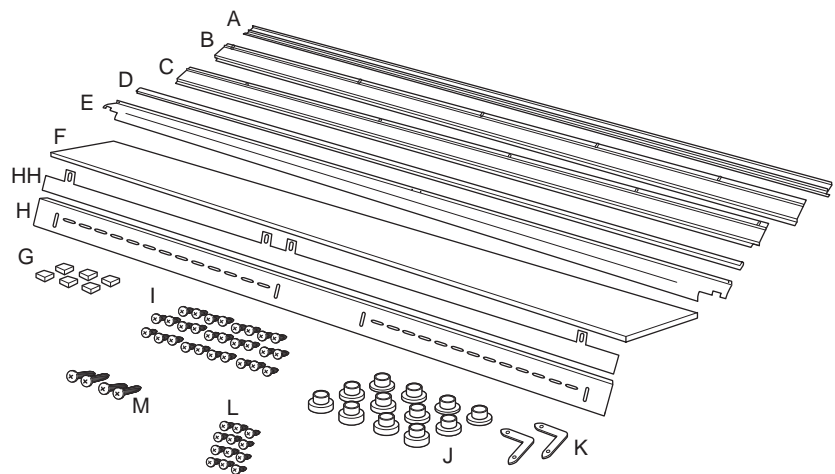
Materiales Requeridos

- Soporte antivolcaduras de 2 x 4 de 71"
- Tubería de cobre para suministro de agua de 1/4" o 2 kits de Tuberías para Refrigerador SmartConnect™.
- 2 válvulas de cierre de agua
- Tornillos para asegurar el refrigerador a los gabinetes.
- Cintas de ajuste de velcro para paneles laterales de 1/4" (0.63 cm)

Piso:

Para una instalación correcta, el refrigerador se deberá ubicar en una superficie nivelada de material duro que posea la misma altura en el resto del piso. Esta superficie deberá ser lo suficientemente fuerte como para resistir el peso de un refrigerador totalmente cargado o aproximadamente 2,400 libras.

NOTA: Proteja el acabado del piso. Corte una sección amplia de cartón y coloque la misma debajo del refrigerador donde se encuentra trabajando.



INSTRUCCIONES DE INSTALACIÓN

CONEXIÓN A TIERRA DEL REFRIGERADOR

⚠ ADVERTENCIA Riesgo de Descarga Eléctrica

Si no se siguen estas instrucciones, se podrá producir la muerte, incendios o descargas eléctricas.

El cable de corriente de este electrodoméstico cuenta con un enchufe de 3 cables (conexión a tierra) que se conecta a un tomacorriente de pared estándar de 3 cables (conexión a tierra) para minimizar el riesgo de posibles descargas eléctricas por parte del mismo.

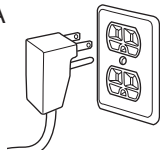
Contrate a un electricista calificado para que controle el tomacorriente y el circuito eléctrico, a fin de asegurar que el enchufe esté correctamente conectado a tierra.

En caso de contar con un tomacorriente de pared de 2 cables, es su responsabilidad y obligación reemplazarlo por un tomacorriente de pared de 3 cables correctamente conectado a tierra.

NUNCA, BAJO NINGUNA CIRCUNSTANCIA, CORTE NI ELIMINE EL TERCER CABLE (TIERRA) DEL CABLE DE CORRIENTE.

NO USE UN ENCHUFE ADAPTADOR PARA CONECTAR EL REFRIGERADOR A UN TOMACORRIENTE DE 2 PATAS.

NO USE UN PROLONGADOR CON ESTE ELECTRODOMÉSTICO.



PASO 1 RETIRE EL EMBALAJE

⚠ ADVERTENCIA Riesgo de Caídas

El refrigerador es mucho más pesado en su parte superior que en su parte inferior – tenga cuidado al moverlo. Al usar un carro manual, sosténgalo de costado únicamente.

- De forma cuidadosa, corte las bandas en la parte superior e inferior, y retire el cartón externo.
- Deslice hacia afuera los postes de las esquinas traseras (2).
- Deslice el cartón fuera de la parte superior del gabinete.

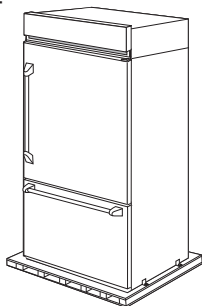
NOTA: ¡NO ES NECESARIO APOYAR EL GABINETE PARA RETIRAR EL ANTIDESLIZANTE!

- La unidad se encuentra asegurada al antideslizante por 4 cintas de amarre ranuradas. Retire los cuatro tornillos de 5/16" de los canales de la base en los amarres.

- Retire los seis tornillos de 7/16" que aseguran las cintas al antideslizante.

NOTA: NO INTENTE HACER RODAR LA UNIDAD FUERA DEL ANTIDESLIZANTE.

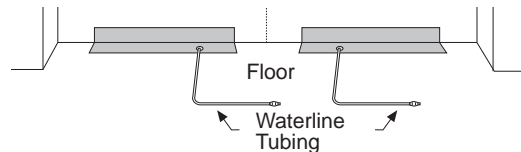
- Los bloques de soporte de la parte inferior de la carcasa de refrigeración deberán ser retirados antes de que el refrigerador sea retirado del antideslizante, ya que de otro modo se podrán producir daños. De forma cuidadosa, incline el refrigerador y deslice los bloques hacia afuera desde abajo.
- Retire la cinta de las patas niveladoras.
- Levante el refrigerador fuera del antideslizante con un carro para electrodomésticos. Sostenga el electrodoméstico de los costados.



PASO 2 INSTALE EL SUMINISTRO DE AGUA

⚠ ADVERTENCIA Realice la conexión a un suministro de agua potable únicamente.

- Se requiere un suministro de agua fría para el funcionamiento de la máquina de hielo automática. La presión del agua deberá ser de entre 40 y 120 p.s.i. (275-827 kPa).
- Haga circular una tubería de cobre con un diámetro externo de 1/4" o una tubería de plástico SmartConnect™ entre la tubería de agua fría del hogar y la ubicación de la conexión de agua.
- La tubería deberá ser de una extensión suficiente como para llegar hasta el frente del refrigerador. Deje una cantidad de tubería suficiente como para hacer una inclinación que lleve hasta la conexión de la tubería de agua.



NOTA: La única tubería de plástico aprobada por Monogram es suministrada en los Kits de Tuberías para Refrigerador de SmartConnect™. No use ninguna otra tubería de suministro de agua plástica, ya que la tubería se encuentra bajo presión en todo momento. Otros tipos de plásticos podrán sufrir fisuras o roturas con el paso del tiempo y ocasionar problemas con el agua en su hogar.

Los Kits de Tuberías para Refrigerador de SmartConnect™ están disponibles en las siguientes longitudes:

2' (.6 m) - WX08X10002 8' (2.4 m) - WX08X10006
15' (4.6 m) - WX08X1 0015 25' (7.6 m) - WX08X10025

Cierre el suministro principal de agua.

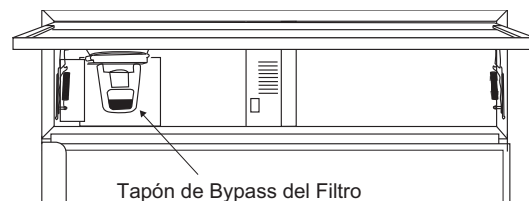
Abra el grifo más cercano durante un tiempo suficiente como para despejar la tubería de agua.

- Instale una válvula de cierre entre la válvula de agua de la máquina de hielo y la tubería de agua fría en un punto bajo o en un gabinete. La válvula de cierre deberá ser ubicada donde sea de fácil acceso.
- Abra el suministro de agua principal y deje correr la suciedad. Deje correr aproximadamente un cuarto de galón de agua a través de la tubería a un balde. Cierre el suministro de agua desde la válvula de cierre.

NOTA: Muchos kits de suministro de agua incluyen válvulas de cierre tipo montura, pero no se recomiendan para esta aplicación.

NOTA: Se deberá cumplir con los Códigos de Plomería del Commonwealth de Massachusetts 248CMR. Las válvulas tipo montura son ilegales y su uso está prohibido en Massachusetts. Consulte a un plomero matriculado.

Si el suministro de agua al refrigerador proviene de un Sistema de Agua por Ósmosis Inversa, utilice el tapón del filtro del bypass del refrigerador. El uso del cartucho de filtración de agua del refrigerador junto con un filtro de agua por ósmosis inversa podrá producir cubos de hielo huecos

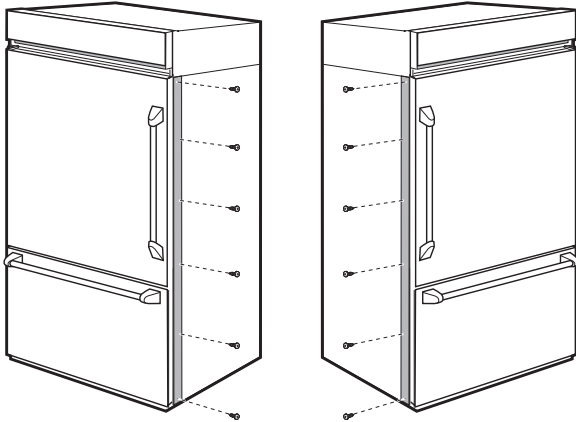


INSTRUCCIONES DE INSTALACIÓN

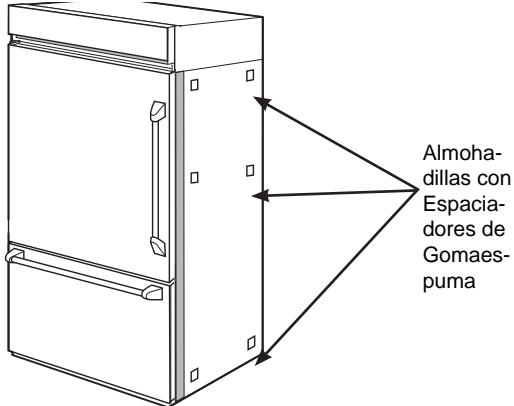
PASO 3 INSTALE EL NUEVO MARCO CENTRAL

AVISO: Sostenga las piezas con cuidado a fin de evitar rayones.

- Retire los marcos del gabinete interior instalado y los marcos de los gabinetes superiores.
- Instale los marcos del gabinete interior (B y C) con hendiduras hacia la parte inferior. Instale los tornillos (I) a través de las 5 ranuras sobre cada marco.



- Aplique las almohadillas con espaciadores de gomaespuma suministradas (G) al lado de emparejamiento de un producto, como se muestra.

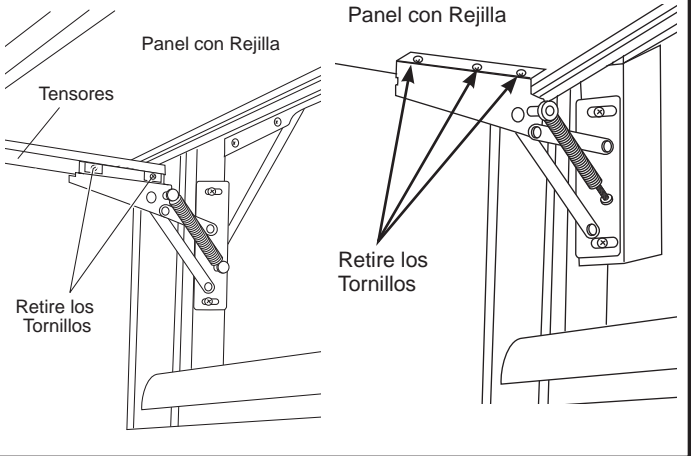


NOTA: Las instalaciones con montaje al ras requieren el Kit ZKFN. El Kit ZKFN incluye los marcos de gabinetes laterales con bisagras, los cuales se deberán instalar en este paso. El equipamiento requerido para instalar estos marcos se incluye con el Kit ZKFN.

PASO 4 RETIRE AMBOS MARCOS DEL PANEL CON REJILLA

- Retire los 2 o 3 tornillos que sostienen el panel con rejilla sobre la bisagra a cada lado. Retire el panel con rejilla de las bisagras levantando. Descarte ambos paneles con rejilla. Conserve los tornillos o use los tornillos (L) suministrados

Deje las bisagras en la posición abierta. No traspase las bisagras.

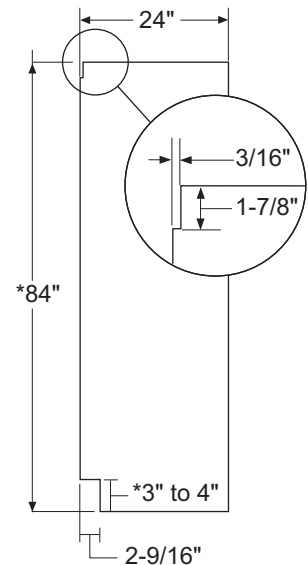


PASO 5 INSTALE LOS PANELES LATERALES

Los paneles laterales deberán ser usados siempre que los laterales del refrigerador queden expuestos. Los paneles laterales de ¼" (0.63 cm) se deslizarán en el recorte de la caja lateral. Asegure los paneles al refrigerador con ganchos de sujeción o cintas de sujeción de velcro. Ordene los paneles laterales al fabricante de gabinetes.

- Haga un agujero en la esquina frontal derecha como se muestra, a fin de dejar espacio para las teclas de la esquina frente al recorte lateral.

* Dependiendo de la altura de la instalación.



INSTRUCCIONES DE INSTALACIÓN

PASO 6 INSTALE DEL SOPORTE ANTI VOLCADURAS

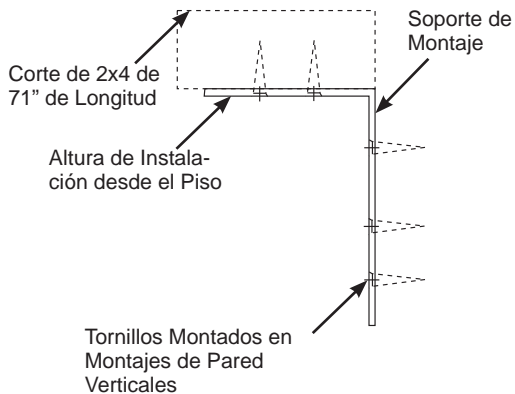
⚠ ADVERTENCIA



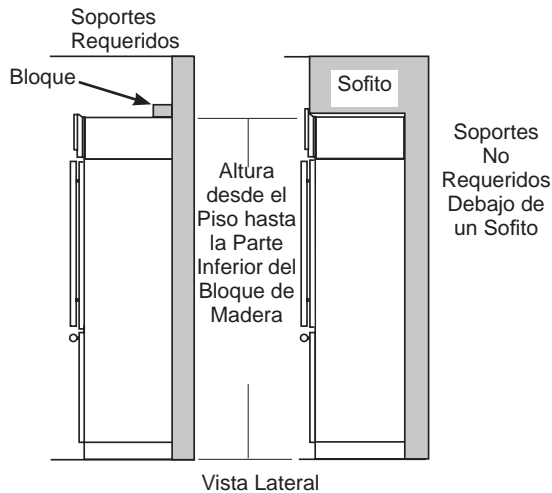
Riesgo de Caídas

Estos refrigeradores son inestables, especialmente cuando una puerta se encuentre abierta, y deberán estar asegurados a fin de evitar caídas hacia adelante que podrían resultar en la muerte o en lesiones graves. Lea y siga las instrucciones de instalación en su totalidad para asegurar el refrigerador con el sistema anti volcaduras.

- Corte un bloque de 2" x 4" x 71" y asegure el mismo a los soportes de montaje provistos, utilizando tornillos de madera n° 12 o n° 14.



- Asegure el soporte con el bloque de madera a la pared trasera, de modo que haya 84" (o su altura de instalación) desde el piso terminado. Use tornillos de madera n° 12 o n° 14. Lea la ilustración.



- Los tornillos deben penetrar por lo menos una pulgada en los montajes de pared verticales.
- Antes de empujar el refrigerador sobre la abertura, enchufe el cable de corriente en el receptáculo. Abra el panel con rejilla y alcance la abertura en la parte trasera para tomar el cable de corriente. Retire el cable de corriente de la abertura a medida que empuja el refrigerador hacia atrás.
- De forma suave, empuje el refrigerador sobre la abertura con las manos contra las esquinas frontales.

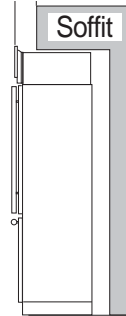
IMPORTANTE: Cuando el refrigerador sea instalado bajo un soffito o si no hay altura suficiente para este método de seguridad, los soportes no podrán ser usados. Proceda al paso 8 para nivelar el refrigerador y luego al paso 10 para asegurar el refrigerador a los gabinetes. El refrigerador deberá estar asegurado para evitar volcaduras.

INSTRUCCIONES DE INSTALACIÓN

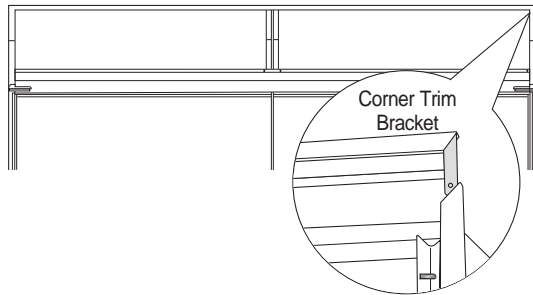
PASO 7 POSICIONE EL REFRIGERADOR E INSTALE EL MARCO SUPERIOR

- Antes de empujar los refrigeradores sobre la abertura, enchufe los cables de corriente en los receptáculos. Alcance la abertura superior para tomar el cable de corriente. Retire el cable de corriente de la abertura a medida que empuja el refrigerador hacia atrás.

Approx. 8"



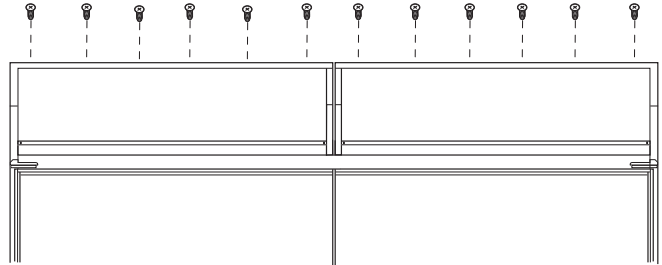
- Con las manos contra las esquinas frontales, empuje un refrigerador hasta la mitad de la abertura. El refrigerador deberá estar aproximadamente 8" delante de la pared trasera.
- De forma suave, empuje el segundo refrigerador junto al anterior. Las puertas deberán estar niveladas unas con otras y los marcos interiores deberán estar juntos.
- Instale el soporte del ángulo (K) sobre cada lado del marco superior (A). De ser necesario, use 4 tornillos (M).



- Coloque el borde superior a través de la parte superior de los refrigeradores y deslice los soportes de los ángulos por la parte exterior de los marcos de los gabinetes.
- Instale 8 tornillos (I) a través de la parte superior del marco y en el gabinete superior.

- Realice un control para asegurarse de que los marcos interiores estén alineados en sus partes superiores e inferiores. Deberá haber una brecha mínima entre los marcos de los gabinetes.

- Retire los envoltorios de las Bases de la Rejillas. 6 tornillos serán retirados de cada envoltorio de las bases de las rejillas. Guarde los tornillos para los siguientes pasos.



EMPUJE EL REFRIGERADOR HASTA LA ABERTURA

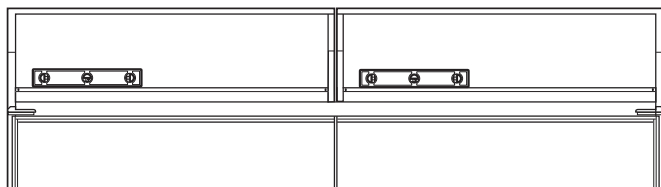
NOTA: SE REQUIERE CONTAR CON 2 PERSONAS PARA EMPUJAR LOS REFRIGERADORES UNIFICADOS EN LA ABERTURA.

- Con las manos contra las esquinas frontales, de forma suave empuje los refrigeradores unificados en la abertura o contra la pared trasera.

INSTRUCCIONES DE INSTALACIÓN

PASO 8 NIVELE EL REFRIGERADOR

Coloque un nivel dentro de la parte superior de cada unidad.

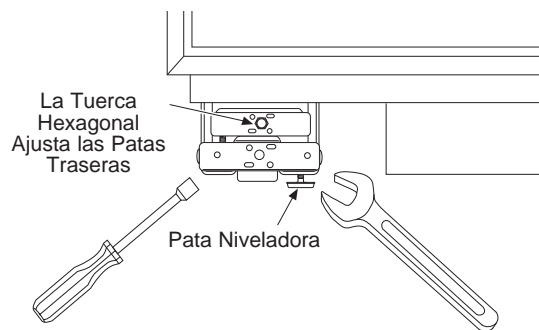


Ambos refrigeradores DEBERÁN ESTAR NIVELADOS Y A PLOMO uno con otro y con los gabinetes adyacentes a cada lado.

Los cajones deberán estar nivelados de forma pareja.

Ambos refrigeradores cuentan con 4 puntos de nivelación. La parte frontal está apoyada sobre patas niveladoras, y la parte trasera está apoyada sobre ruedas ajustables. Es posible acceder a ambas desde la parte frontal del refrigerador.

- A fin de nivelar la parte trasera del refrigerador, gire la tuerca hexagonal de 7/16" que se encuentra ubicada sobre las ruedas frontales. Gire en dirección horaria para elevar el refrigerador, y en dirección antihoraria para bajar el mismo.
- Para nivelar la parte frontal, use una llave de boca de 1 1/4" (3.175 cm).



- Ajuste la altura del refrigerador para que coincida con la abertura del espacio libre de la instalación de 83 1/2" (212.09 cm) a 84 1/2" (214.63 cm). El refrigerador deberá estar nivelado y correctamente instalado entre los muebles de cocina. Las ruedas niveladoras traseras y las patas niveladoras frontales cuentan con un límite de ajuste de altura máxima de 1". Si en la instalación se requiere una altura superior a 84 1/2" (214.63 cm), el instalador deberá elevar el refrigerador sobre una lámina de contrachapado o correderas. También se podrá agregar un marco para gabinetes a través de la parte superior de la abertura, a fin de acortar esta última. Si intenta elevar el refrigerador más de 1" (2.54 cm), dañará las patas niveladoras frontales y las ruedas niveladoras traseras.

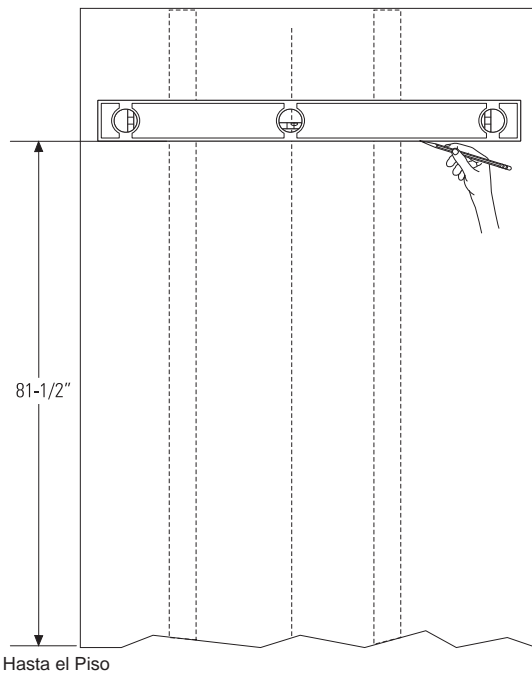
INSTRUCCIONES DE INSTALACIÓN

PASO 9 INSTALE DEL SOPORTE ANTI VOLCADURAS

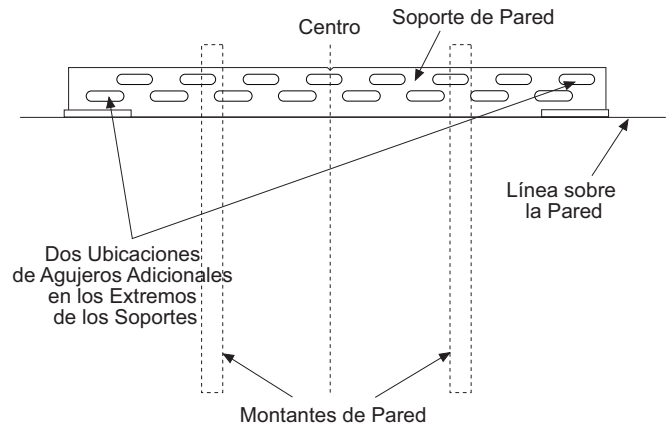
⚠ ADVERTENCIA Riesgo de Caídas

La unidad es pesada en su parte superior y se deberá asegurar a fin de evitar posibles caídas hacia adelante.

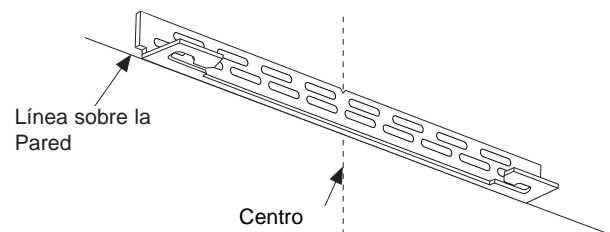
- El kit suministrado con la unidad cuenta con 2 tornillos tirafondo y tornillos con resortes. El soporte de pared será adherido a la pared en 4 posiciones.
- Mida la abertura donde la unidad será instalada. Marque el centro con una línea vertical.
- Mida 81 1/2" (207.01 cm) desde el piso. Marque este punto sobre la pared.
- Con un nivel, dibuje una línea horizontal sobre la pared a esta altura.



- Ubique por lo menos 2 montajes en la pared trasera. Marque estos puntos sobre la línea horizontal.
- Coloque la parte inferior del soporte de pared con las lengüetas en la línea horizontal. Alinee la abertura central sobre el soporte con la línea central sobre la pared.



- El soporte de pared anti volcaduras cuenta con una serie de agujeros. Seleccione 2 agujeros que coincidan con los montajes ubicados. Asegúrese de que los agujeros seleccionados se encuentren en el centro de los montajes. Marque la pared en estos puntos.



- Marque un agujero adicional en cada extremo del soporte. Si uno de los montajes se encuentra más cerca del extremo del soporte, marque un agujero adicional hacia el centro del soporte.
- Realice agujeros de 1/2" (1.27 cm) en el tablero de pared, en las ubicaciones marcadas para el montaje de los resortes (no las marcas de los montajes).
- Realice agujeros de 3/16" (0.47 cm) en los montajes de madera donde se realizaron las marcas. Si se trata de una construcción de montajes de acero, realice agujeros de 1/2" en los montajes donde se realizaron las marcas. Se deberán usar 2 resortes con los montajes metálicos.

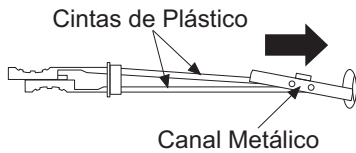
INSTRUCCIONES DE INSTALACIÓN

PASO 9 INSTALE EL SOPORTE ANTI VOLCADURAS (cont.)

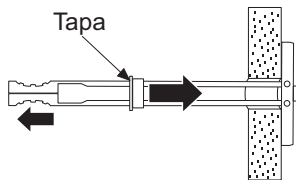
Instale los Resortes de Pared:

Los resortes de pared y los tornillos pueden ser ordenados como el Kit de Servicio nº WR49X10193. Los tornillos con resortes de pared se instalan sobre el panel de yeso y los montajes metálicos para lograr estabilidad. Instale los tornillos con resortes de pared del siguiente modo:

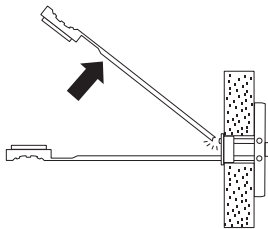
- Realice agujeros de 1/2" (1.27 cm) sobre las marcas de la pared realizadas en los agujeros sobre los extremos del soporte de pared.
- Sostenga el canal metálico de forma plana contra las cintas de plástico y deslice el canal a través del agujero.



- De forma suave, empuje hacia atrás sobre los extremos de las cintas de plástico para hacer que el canal descansa de forma nivelada detrás de la pared.
- Sostenga los extremos de las tiras con una mano y deslice la tapa de plástico a lo largo de las cintas, hasta que el reborde de la tapa quede nivelado con la pared.

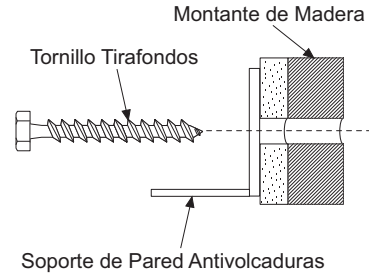


- Coloque el pulgar entre las cintas de plástico e incline las mismas hacia arriba y abajo para desenganchar las mismas de la pared.

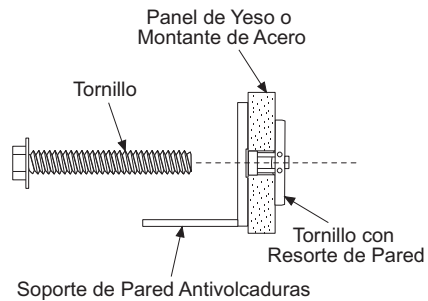


Instale los Tornillos y Pernos:

- Solicite a alguien que sostenga el soporte de pared centrado en su posición con cada uno de los agujeros alineados con la abertura correcta en el soporte y realice la nivelación con la línea horizontal.



- Inserte los tornillos tirafondo a través del soporte y en el montante. Ajuste con una llave.



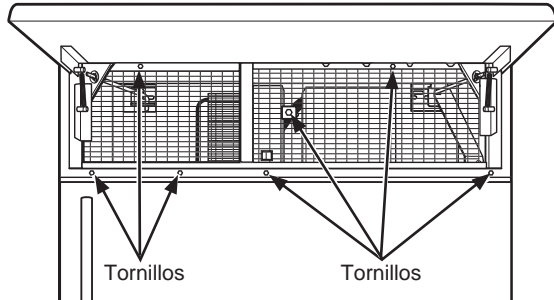
INSTRUCCIONES DE INSTALACIÓN

PASO 9 INSTALE EL SOPORTE ANTI VOLCADURAS (cont.)

Retire las Rejillas para Acceder a los Ganchos de Bloqueo Anti Volcaduras

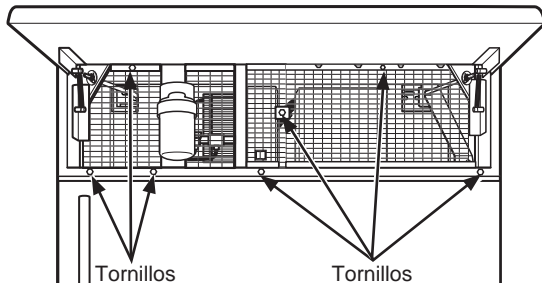
Unidad de Comidas Frescas

- Abra la puerta de acceso.
- Retire los 4 tornillos de la rejilla de la derecha y los 3 tornillos de la rejilla de la izquierda.
- Empuje la parte inferior de las rejillas hacia adelante, abajo y afuera para retirar las mismas.



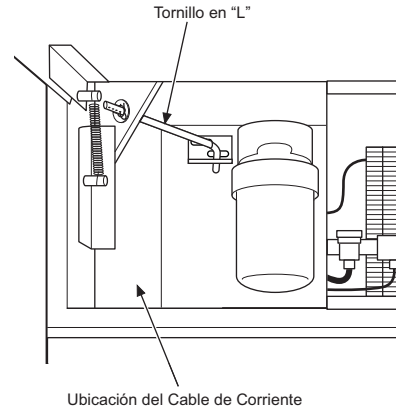
Unidad del Freezer

- Abra la puerta de acceso.
- Retire los 4 tornillos de la rejilla de la derecha y los 3 tornillos de la rejilla de la izquierda.
- Empuje la parte inferior de la rejilla hacia adelante, abajo y afuera para retirar la misma



Cable de Corriente

Ubique el cable de corriente dentro de la cavidad izquierda. Si no fue ajustado de modo que se pueda acceder al enchufe de la forma fácil, hágalo ahora.



Mueva la Unidad hasta la Posición Final

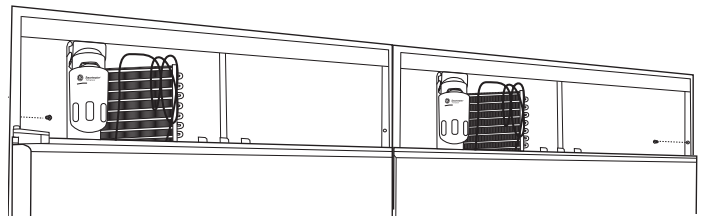
- Mueva el electrodoméstico hacia su posición de instalación final. Alinee las lengüetas sobre el soporte de pared con las aberturas en la parte trasera de la unidad.
- La unidad posee tornillos en "L" en las esquinas superior izquierda y derecha del compartimiento de acceso. Estos tornillos se entrelazarán con el soporte de pared y asegurarán la unidad usando las arandelas y los pasadores de chaveta del kit de materiales, una vez que la unidad haya sido nivelada y se encuentre en su posición final.

PASO 10 ASEGURE EL REFRIGERADOR A LOS GABINETES

Siempre que sea posible, realice este paso para asegurar que no haya volcaduras, o cuando los soportes antivolcaduras no se puedan usar.

El refrigerador deberá estar asegurado para evitar volcaduras

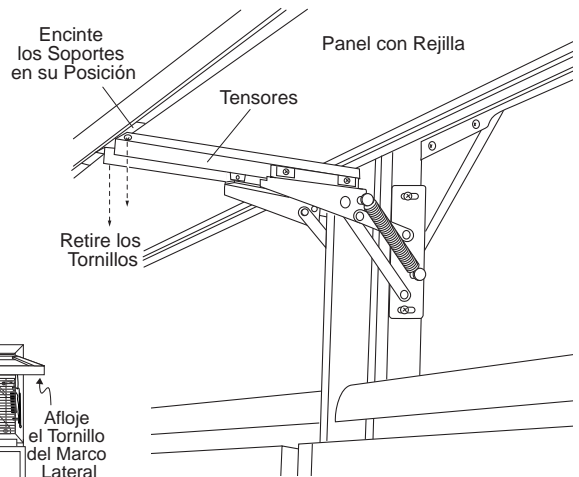
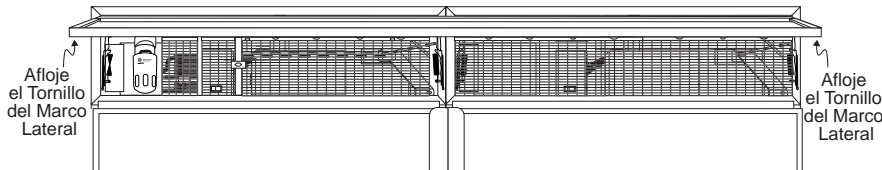
- Levante el panel con rejilla para acceder al marco del gabinete.
- Haga un agujero en el marco y coloque el tornillo (I) a través del marco sobre el gabinete adyacente.
- Siga el mismo procedimiento del lado opuesto.



INSTRUCCIONES DE INSTALACIÓN

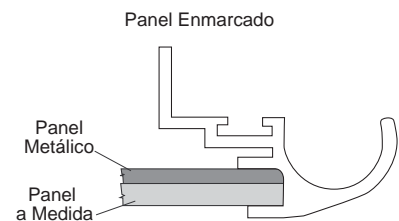
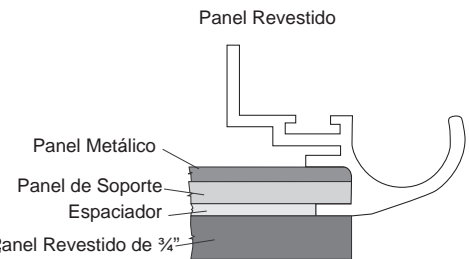
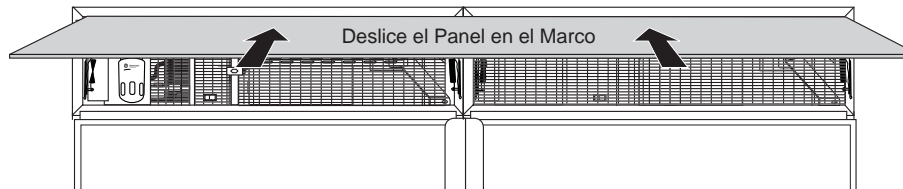
PASO 11A INSTALE EL MARCO DEL PANEL A MEDIDA DE LA REJILLA UNIFICADA

- Retire los 4 tornillos que sostienen los tensores de la bisagra central sobre los soportes pequeños del marco unificado. Conserve los tornillos, y use cinta para sostener los soportes pequeños en sus posiciones.
- Coloque el marco del panel con rejilla unificado sobre las bisagras de los extremos izquierdo y derecho, coincidiendo con las ubicaciones de los agujeros de los tornillos. Instale los tornillos negros suministrados (L) a través de la bisagra y en el tensor sobre ambos extremos.
- Afloje los tornillos sobre cada lado del borde detrás del marco. Retire el borde inferior.



INSERTE LOS PANELES A MEDIDA

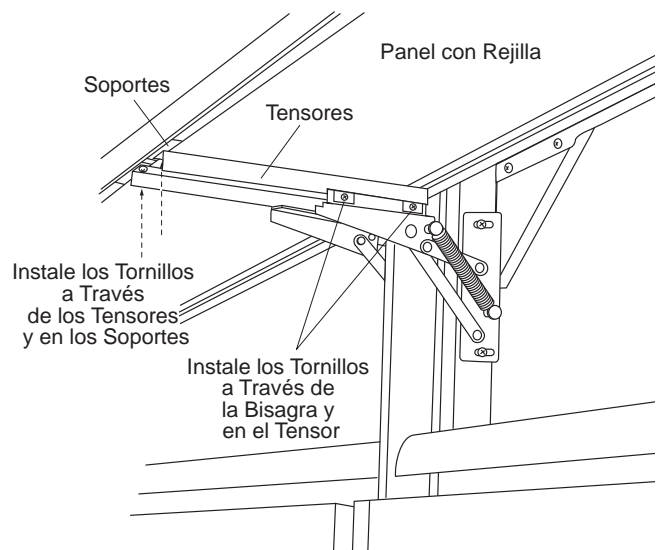
- Deslice el panel con marco o revestido sobre el panel con soporte metálico y sobre el borde. De ser necesario, golpee con un bloque de madera hasta que el panel se deslice por debajo de la pieza del borde superior.
- Vuelva a ensamblar el borde inferior. Ajuste los tornillos.



ASEGURE EL PANEL A LAS BISAGRAS CENTRALES

- Vuelva a instalar los tensores intermedios y deslice los mismos para alcanzar las bisagras centrales.
- Instale los tornillos negros (L) suministrados a través de las bisagras centrales y los tensores.
- Ajuste los tornillos originales a través de los tensores y en los soportes pequeños del marco inferior.
- Tome el panel con rejilla desde el centro y empuje hacia abajo para cerrarlo.

NOTA: Controle la alineación entre el panel con rejilla y la parte superior de las puertas. Para ajustar, afloje los tornillos del soporte a la bisagra sobre las 4 bisagras. Ajuste los tornillos.



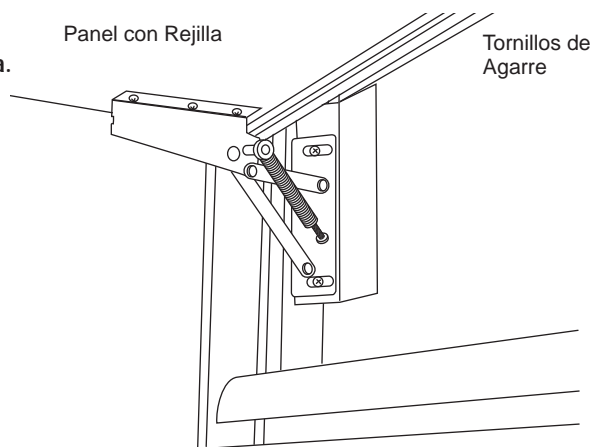
INSTRUCCIONES DE INSTALACIÓN

PASO 11B INSTALE EL MARCO DE LA REJILLA UNIFICADA DE ACERO INOXIDABLE

Se requiere contar con dos personas para la instalación del Panel con Rejilla.

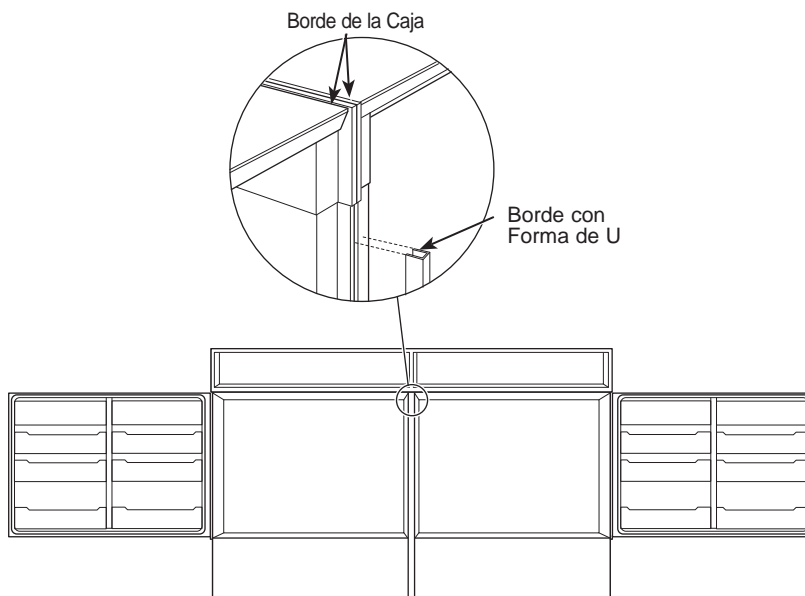
- Alinee los agujeros extruidos sobre el panel con rejilla de acero inoxidable unificado con la bisagra que se encuentra más a la izquierda. Coloque 3 tornillos a través de la bisagra y en el panel. Coloque 3 tornillos a través de la bisagra que se encuentra más a la derecha y en el panel. Repita esto en las bisagras centrales.
- Tome el panel con rejilla desde el centro y empuje hacia abajo para cerrarlo. El panel se deberá alinear de forma pareja con el lateral de la puerta.

NOTA: Para ajustar la rejilla hacia atrás o adelante, afloje los 2 tornillos de adhesión sobre las 4 bisagras. Deslice el panel con rejilla hacia afuera o hacia atrás. Ajuste los tornillos.



PASO 12 INSTALE LA TIRA DEL MARCO CENTRAL

- Abra la puerta completamente.
- Los bordes del gabinete deberán estar alineados de forma pareja sobre la parte inferior con una brecha pequeña entre estos.
- Comenzando desde la parte superior, presione la tira del borde central con forma de u (D) sobre los bordes del gabinete interior de ambos refrigeradores.
- Continúe presionado el borde hasta alcanzar la parte inferior de los bordes del gabinete. El borde se deberá alinear con la parte superior e inferior de los bordes del gabinete.

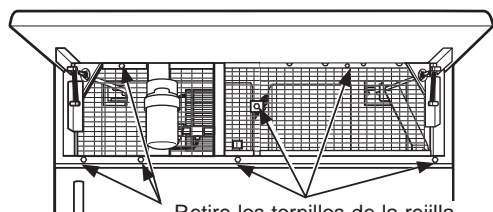


INSTRUCCIONES DE INSTALACIÓN

PASO 13 AJUSTE EL BALANCEO DE LA PUERTA

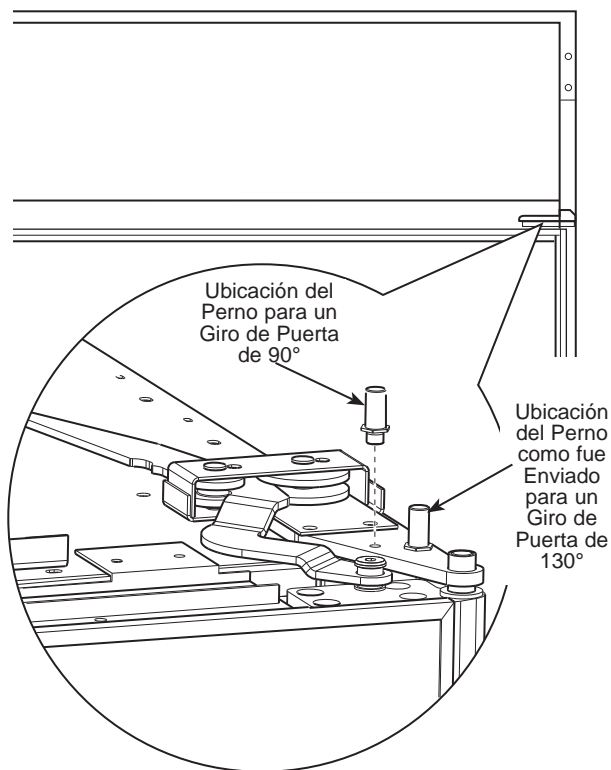
NOTA: El refrigerador cuenta con una detención de la puerta de 2 posiciones. Cuando el espacio no permita que la puerta gire completamente hasta los 130°, podrá cambiar el giro de la puerta a una apertura de 90°. Si la apertura de la puerta es satisfactoria para su situación durante la instalación, saltee este paso.

- Levante el panel de rejilla para acceder al marco de la tapa de cables.
- Retire los tornillos que se encuentran a ambos lados del marco de la tapa de cables y gire hacia afuera.



Retire los tornillos de la rejilla.

- Use una pinza para desenroscar la detención de la puerta y vuelva a instalar la misma en una posición de 90° o 130° (Instalación Estándar).
- Vuelva a instalar el marco de la tapa de cables.



⚠ ADVERTENCIA



Riesgo de Lastimadura

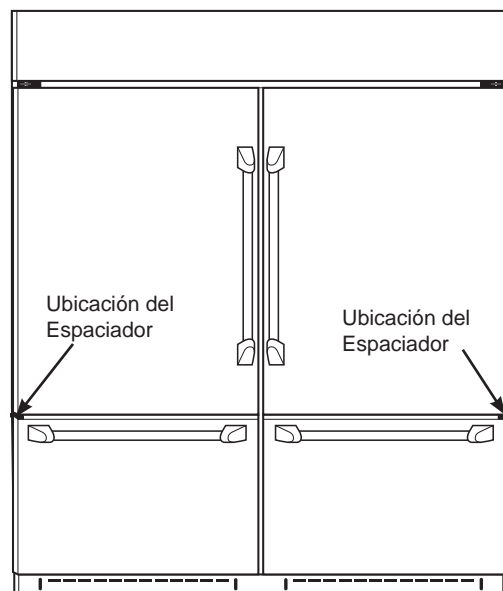
con el Marco de la Puerta: Una instalación inadecuada podrá conducir a riesgos de pellizcos de dedos entre el marco lateral de la puerta y los gabinetes al utilizar la puerta, especialmente con los niños. A fin de minimizar este riesgo, usted deberá seguir las instrucciones de instalación para dimensiones de gabinetes, ensambles de marcos y ángulos de detención de puertas.

PASO 14 CONTROLE Y CORRIJA LA ALINEACIÓN DE LA PUERTA

- Cierre el panel con rejilla y ambas puertas.
- Controle que los cajones del freezer y la parte inferior de las puertas se encuentren horizontales y parejas en las esquinas inferiores de la parte interior.
- De forma cuidadosa, mida las esquinas interiores para determinar si es necesario realizar un ajuste. Una diferencia de 1/32" es aceptable y no requiere ajustes.

SALTEE ESTE PASO SI LAS PUERTAS ESTÁN NIVELADAS.

IMPORTANTE: Si las puertas no se encuentran niveladas, se deberán retirar y se deberán instalar espaciadores para elevar o bajar ambas puertas.



Ubicación del Espaciador

Ubicación del Espaciador

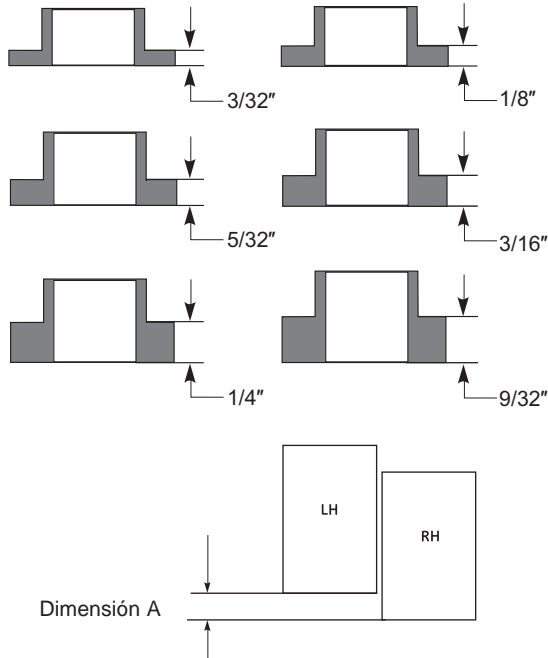
INSTRUCCIONES DE INSTALACIÓN

PASO 14 CONTROL Y CORRIJA LA ALINEACIÓN DE LA PUERTA (Cont.)

AVISO: Siga las instrucciones de forma muy cuidadosa.

DETERMINE EL ESPACIADOR CORRECTO

Este kit cuenta con 12 espaciadores de plástico (j) (2 de cada tamaño). Enlace el espaciador con la ilustración que aparece a continuación para asegurarse de que seleccionó el tamaño correcto, de acuerdo con lo determinado en el siguiente cuadro.

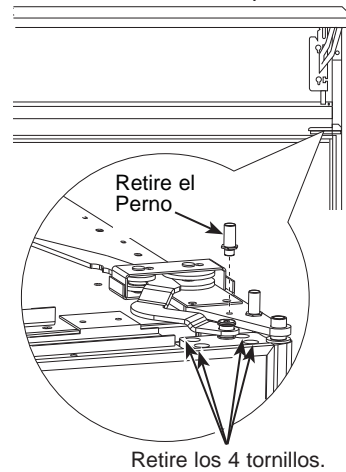


con lo determinado por la Dimensión A.

Dim. A de la Puerta del Lado Izquierdo A	Instale el Espaciador del Lado Izquierdo	Instale el Espaciador del Lado Derecho
1/32" a 1/16"	1/4"	3/32"
1/16" a 3/32"	1/4"	3/16"
3/32" a 1/8"	1/4"	5/32"
1/8" a 5/32"	1/4"	1/8"
5/32" a 3/16"	9/32"	1/8"
3/16" a 7/32"	9/32"	3/32"

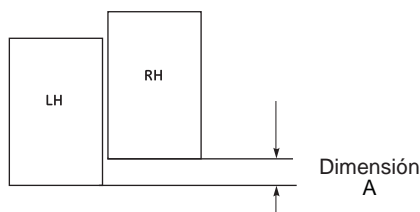
NOTA: Si este paquete con espaciador de plástico no está bien ubicado, ordene el kit de reemplazo WR49X10162.

1. Reemplace el panel de la rejilla.
2. Retire los 4 tornillos de la placa de la bisagra.
3. Use pinzas para retirar el perno de detención de la puerta.
4. Levante y retire la puerta de la parte inferior del pin de la bisagra. La puerta se deberá sostener en su posición mientras se intercambian los espaciadores..



La puerta de Comidas Frescas del lado izquierdo se encuentra más arriba que la puerta del lado derecho: seleccione los espaciadores correctos que se deberán instalar en las bisagras de la puerta de Comidas Frescas, de acuerdo con lo determinado por la Dimensión A.

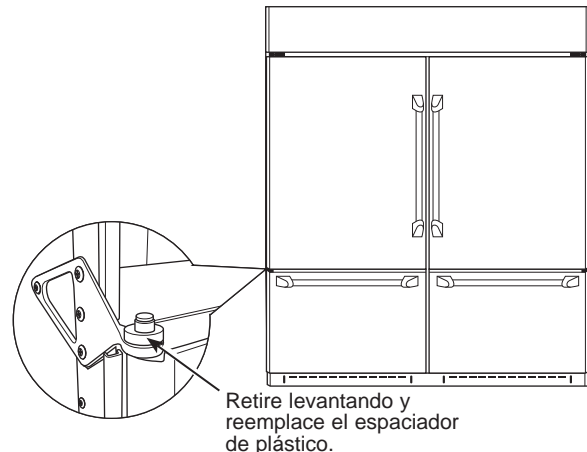
Dim. A de la Puerta del Lado Izquierdo	Instale el Espaciador del Lado Izquierdo	Instale el Espaciador del Lado Derecho
1/32" a 1/16"	3/32"	1/4"
1/16" a 3/32"	3/16"	1/4"
3/32" a 1/8"	5/32"	1/4"
1/8" a 5/32"	1/8"	1/4"
5/32" a 3/16"	1/8"	9/32"
3/16" a 7/32"	1/4"	9/32"



La puerta de Comidas Frescas del lado derecho se encuentra más arriba que la puerta del lado izquierdo:

Seleccione los espaciadores correctos que se deberán instalar en las bisagras de la puerta de Comidas Frescas, de acuerdo

5. Retire el espaciador de plástico original.
6. Coloque el espaciador seleccionado sobre la bisagra.

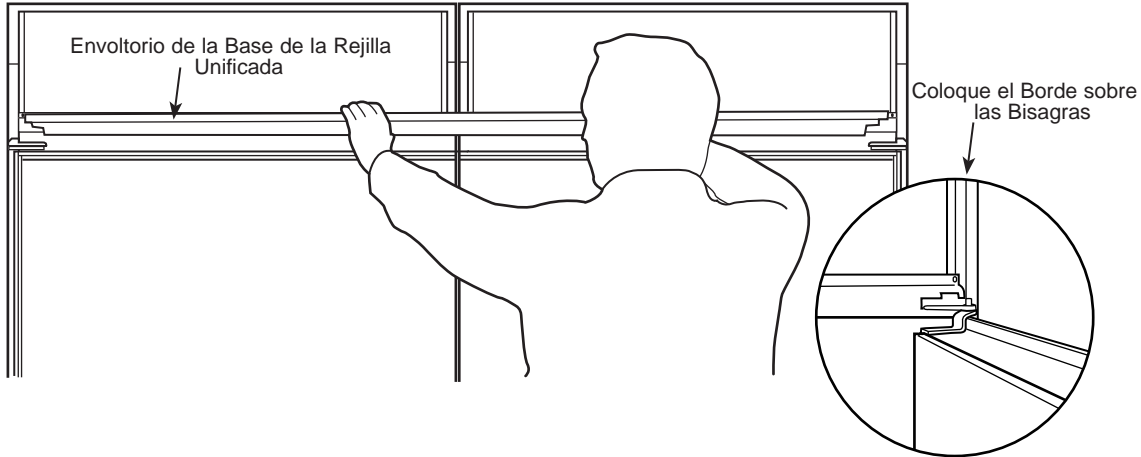


7. Invierta todos los pasos para reemplazar la puerta.

INSTRUCCIONES DE INSTALACIÓN

PASO 15 INSTALE EL ENVOLTORIO DE LA BASE DE LA REJILLA

- Abra la puerta completamente. Reemplace el panel de la rejilla.
- Instale el envoltorio de la base de la rejilla unificado de ancho doble (E), deslizando los extremos con hendiduras sobre las bisagras de la puerta y detrás de las parrillas metálicas.
- Reemplace los 12 tornillos para instalar el envoltorio de la base unificada de ancho doble y las parrillas metálicas. Consulte el Paso 7.



PASO 16 REALICE LA CONEXIÓN AL SUMINISTRO DE AGUA

Conecte ambos refrigeradores al suministro de agua.

- Encuentre y traiga la tubería al frente del gabinete.
- Abra y deje correr el agua a fin de eliminar desechos del suministro. Deje correr alrededor de un cuarto de galón de agua por la tubería a un balde; luego cierre el suministro de agua.

Tubería de Cobre:

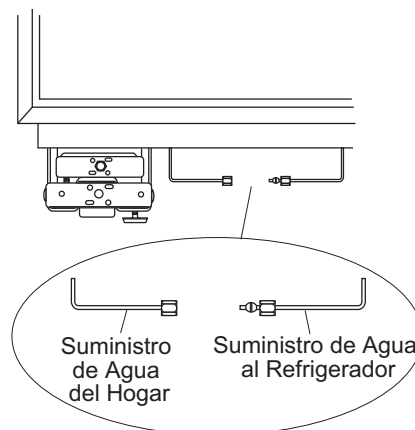
- Coloque una tuerca de 1/4" y una abrazadera de refuerzo (provista) sobre ambos extremos de la tubería de cobre. Inserte la tubería en la unión con la unidad y ajuste la tuerca a la unión.
- Abra el suministro de agua para controlar que no haya pérdidas.

Tubería SmartConnect™:

NOTA: La única tubería de plástico aprobada por Monogram es suministrada en los Kits de Tuberías para Refrigerador de SmartConnect™. No use ninguna otra tubería de suministro de agua plástica, ya que la tubería se encuentra bajo presión en todo momento. Otros tipos de plásticos podrán sufrir fisuras o roturas con el paso del tiempo y ocasionar problemas con el agua en su hogar.

- Inserte el extremo moldeado de la tubería en la conexión del refrigerador. Ajuste la tuerca de compresión hasta que quede fijada sólo con la presión manual.
- Realice un ajuste adicional con un giro de llave. ¡Un ajuste excesivo podrá ocasionar pérdidas!
- Abra el suministro de agua para controlar que no haya pérdidas.

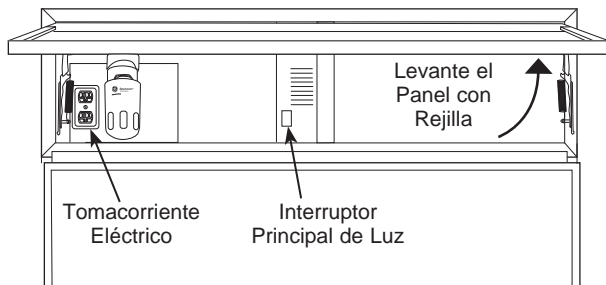
NOTA: Asegúrese de que un exceso de la longitud de la tubería no interfiera con el cierre del cajón o con la instalación del zócalo.



INSTRUCCIONES DE INSTALACIÓN

PASO 17 CONECTE LA CORRIENTE

- Asegúrese de que el cable de corriente esté enchufado en el receptáculo.



- Asegúrese de que la corriente que va al refrigerador está activada, abriendo la puerta del refrigerador para ver si las luces interiores están encendidas.
- Los controles de temperatura están preconfigurados en 37°F (2.78°C) para la sección de comidas frescas y en 0°F (-17.78°C) para el freezer.
- Permita que se establezca durante 24 horas antes de realizar ajustes.

PASO 18B INSTALE EL ZÓCALO A MEDIDA PARA INSTALACIONES ESTÁNDARES

- Se puede instalar un zócalo hecho a medida que coincida o complemente los muebles que estén alrededor. Use el zócalo suministrado como plantilla para hacer un corte de acuerdo con la forma.

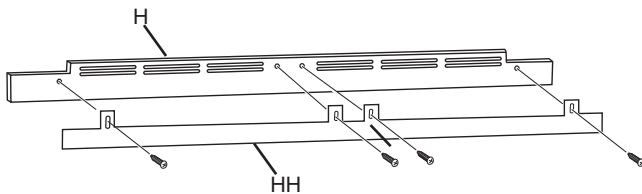
IMPORTANTE: Se podrá instalar un zócalo a medida que coincida con o complemente los gabinetes circundantes, pero NO se podrán cubrir las ranuras de ventilación horizontales del zócalo de fábrica.

PASO 18C INSTALE EL ZÓCALO A MEDIDA PARA INSTALACIONES CON INSERCIONES NIVELADAS

- Se puede instalar un zócalo hecho a medida que coincida o complemente los gabinetes que estén alrededor. Consulte las

PASO 18 INSTALE EL ZÓCALO

- Adhiera el ensamble del zócalo al refrigerador usando los 4 tornillos suministrados (I) – uno a cada lado y dos en el centro.



NOTAS

REMARQUE : Veuillez porter des lunettes de protection en procédant aux installations décrites dans ce manuel.

REMARQUE : L'amélioration des produits constitue un effort constant chez Monogram. Par conséquent, les matières, l'apparence et les caractéristiques techniques sont sujettes à modification sans préavis.