

Esefera Medium and Large Bath

KWBA275, KWBA276 | 1.0

VISUAL COMFORT & Co.

MODERN COLLECTION

GENERAL PRODUCT INFORMATION:

These fixtures are intended to be installed utilizing NEC compliant junction boxes.

This product is safety listed for damp locations.

Dimmable with most LED compatible ELV, TRIAC and 0-10V dimmers.

Up or downlight

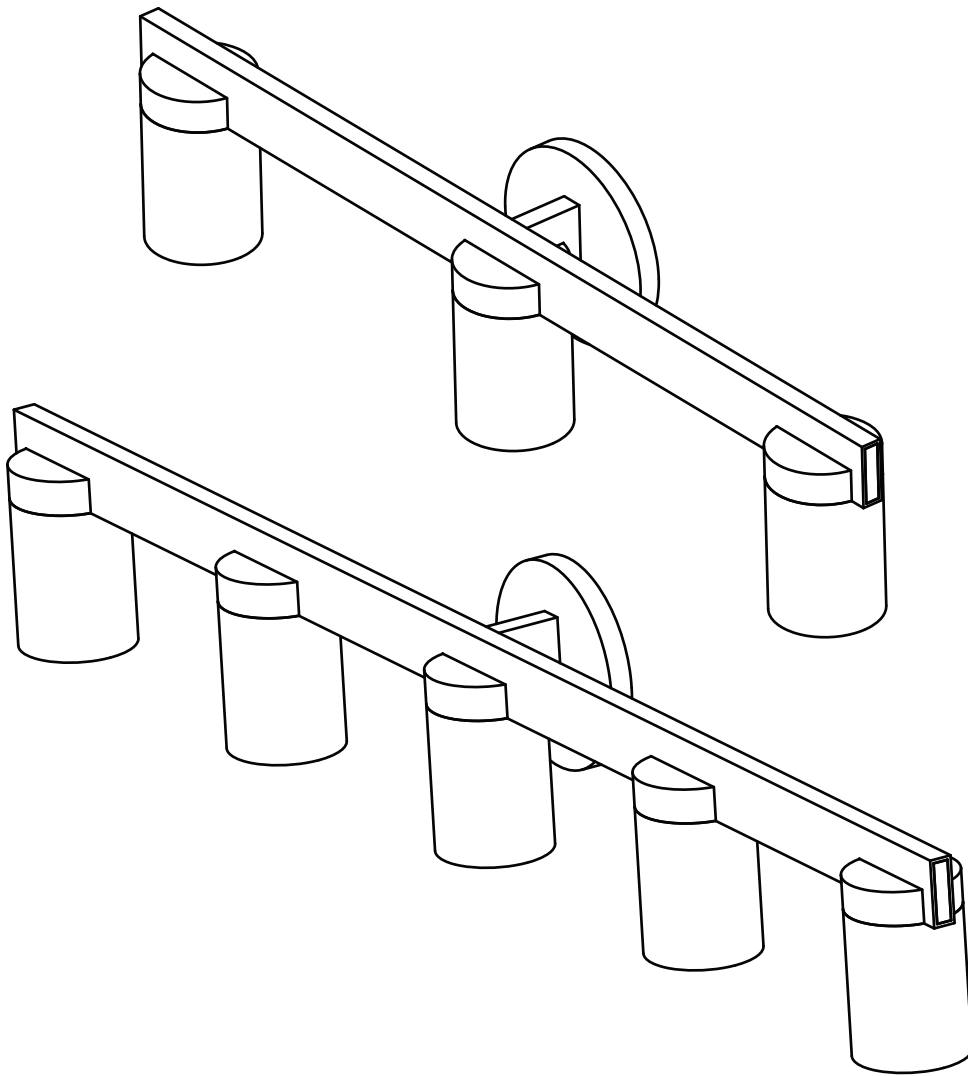
This instruction shows a typical installation.

CAUTION - RISK OF FIRE

This product must be installed in accordance with the applicable installation code by a person familiar with the construction and operation of the product and the hazards involved.

Use minimum 90°C supply conductors.

SAVE THESE INSTRUCTIONS!



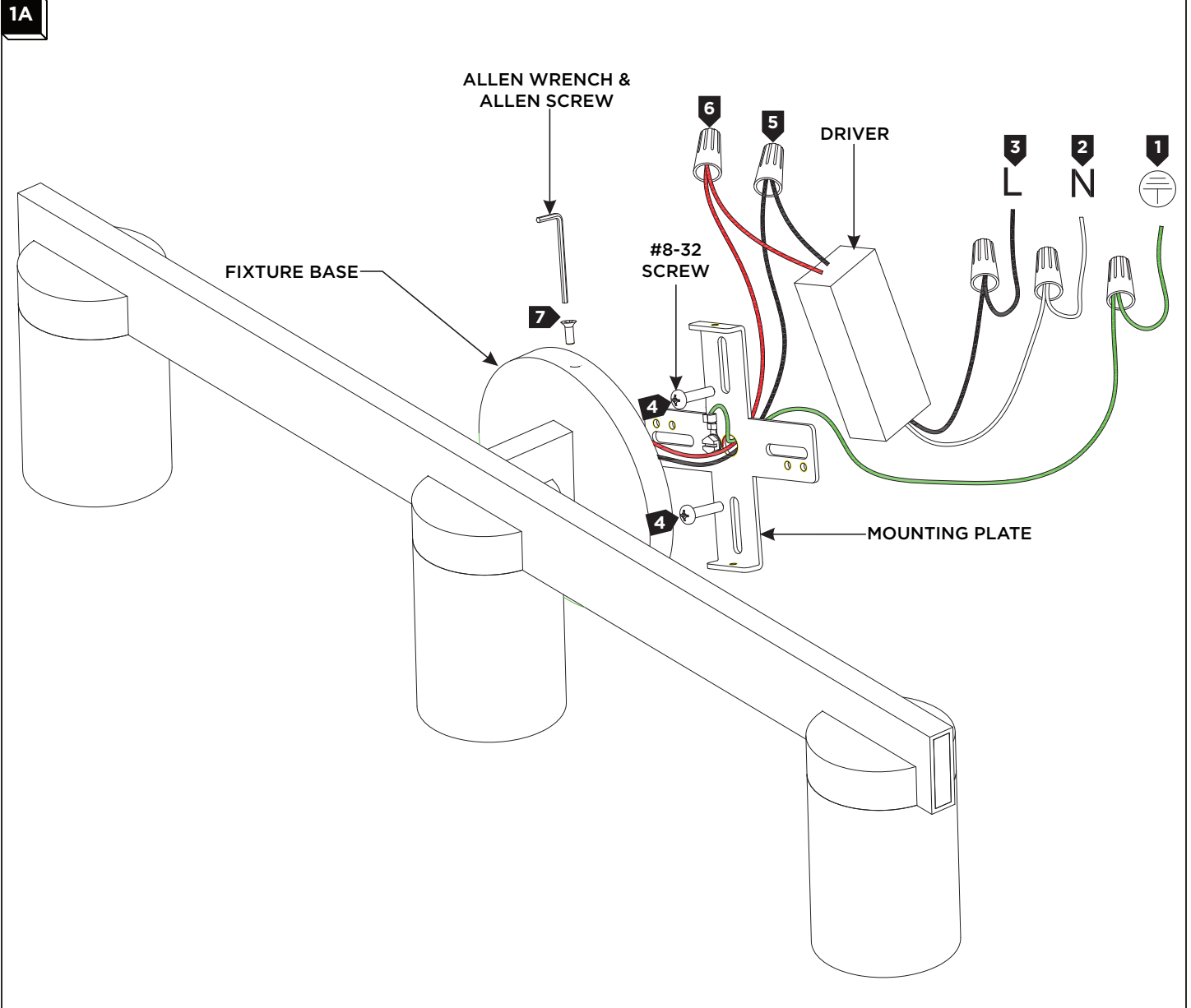
VISUAL COMFORT & Co.

7400 Linder Ave., Skokie, IL 60077

T 847.410.4400 | F 847.410.4500

www.visualcomfortco.com

Install the Fixture



- 1 Connect the fixture to a suitable ground in accordance with local electrical codes.
- 2 Connect the white input driver wire to the neutral power line with a wire nut.
- 3 Connect the black input driver wire to the hot power line with a wire nut.
- 4 Properly place the driver/wire nut connections into the junction box and install the mounting plate to the junction box with the two provided #8-32 screws.
- 5 Connect the negative (-) fixture wire to the negative (-) driver output wire with a wire nut.
- 6 Connect the positive (+) fixture wire to the positive (+) driver output wire with a wire nut.
- 7 Properly place the wire nut connections into the junction box, install the fixture base onto the mounting plate with the fixture screws using the provided Allen wrench.