

**SKSUK240DMT**  
**TRANSITIONAL SERIES PANEL KIT**  
**FOR UNDERCOUNTER REFRIGERATOR/  
 FREEZER DRAWERS**



**KIT CONTENTS**

Satin stainless steel panels, transitional style handles, toekick

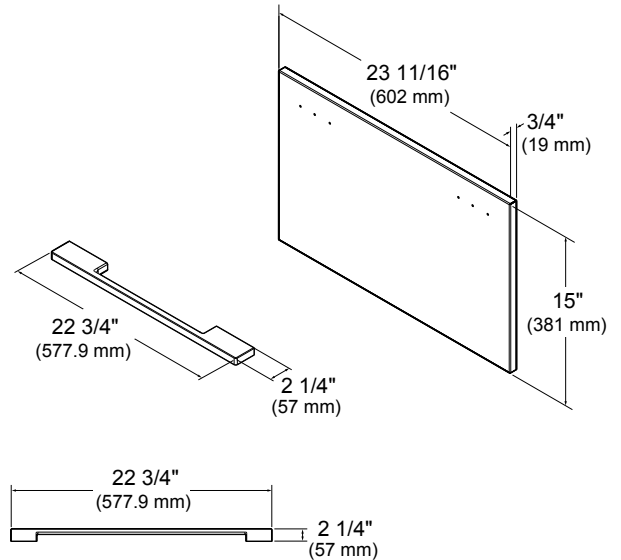
**UPC, Dimensions and Weight**

UPC	195174082942
Panel Depth Without Handle (inches)	3/4"
Panel Width (inches)	23 11/16"
Panel Height (inches)	15"
Net Weight (approx.)	15.0 lbs
Shipping Weight (approx.)	19.4 lbs

**Works with ...**

24-Inch Undercounter Refrigerator/Freezer Drawers	SKSUD2402P
---	------------

**OVERALL DIMENSIONS**



©2025 LG Electronics USA, Inc. All rights reserved. "Signature Kitchen Suite" and the Signature Kitchen Suite logo are registered trademarks of LG Electronics Inc. Design, features and specifications are subject to change without notice. Specifications are for planning purposes only. Consult the product's installation instructions for final dimensional data and other details prior to making cutouts or custom panels. Consult with a heating and ventilation engineer for your specific ventilation requirements. Non-metric weights and measurements are approximate. Smart features require Internet access.