

LANZA

5102AN

TWO LIGHT VANITY

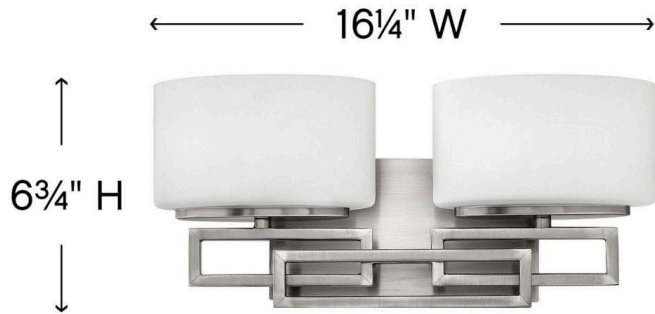
Lanza features contemporary styling with geometric patterns that are emphasized in Antique Nickel, Brushed Bronze and Buckeye Bronze finishes. The elongated oval, etched opal glass reinforces its sleek design.

DETAILS	
FINISH:	Antique Nickel
MATERIAL:	Metal
GLASS:	Etched Opal

DIMENSIONS	
WIDTH:	16.3"
HEIGHT:	6.8"
WEIGHT:	4 lbs.
BACK PLATE:	9"W X 4.75"H
EXTENSION:	5"
TOP TO OUTLET:	4"

LIGHT SOURCE	
LIGHT SOURCE:	Socket
WATTAGE:	2-60w G-9 *Included
VOLTAGE:	120v

SHIPPING	
CARTON LENGTH:	11"
CARTON WIDTH:	17"
CARTON HEIGHT:	7"
CARTON WEIGHT:	5 lbs.



PRODUCT DETAILS:

- Mounting hardware is hidden on the backplate to ensure a clean silhouette.
- Suitable for use in damp locations as defined by NEC and CEC. Meets United States UL Underwriters Laboratories & CSA Canadian Standards Association Product Safety Standards
- Merging the best of traditional and modern elements, with a sophisticated and streamlined look
- Classic matte brushed nickel finish
- Please refer to Hinkley's Warranty for complete product warranty details; some warranty limitations may apply.

HINKLEY

HINKLEY
33000 Pin Oak Parkway
Avon Lake, OH 44012

PHONE: (440) 653-5500
Toll Free: 1 (800) 446-5539

hinkley.com