

PRODUCT FEATURES

- From the brand formerly known as Tech Lighting
- Designed with a modern edge drawing inspiration from large medieval chandeliers
- This item is made of natural brass. It is a living finish that will patina and warm with age which adds richness. If it gets an uneven patina or spots, a brass cleaner can restore the finish
- Includes 12 feet of field-cuttable satin cable
- Can be installed on a sloped ceiling up to 45°



LAMPING

Includes 27.3 watts, 1617 total delivered lumens, 2200K LED module. Dimmable with most LED compatible ELV dimmers. Ships with 12 feet of field-cuttable satin cable. Can be installed on a sloped ceiling up to 45°. 120V-277V.

Nightshade Black 3/4 View



Nightshade Black

Natural Brass

Nightshade Black
3/4 View

Natural Brass
3/4 View

ORDERING INFORMATION

700VLV	SHAPE OR SIZE	FINISH	LAMP
	24" DIAMETER 24	NB NATURAL BRASS B NIGHTSHADE BLACK	-LED922 INTEGRATED LED 90 CRI 2200K 120V-277V

700VLV _____

JOB NAME _____

NOTES _____

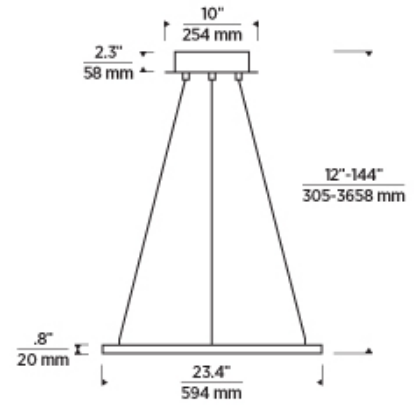


VELLAVI 24 CHANDELIER

VISUAL COMFORT & CO.

SPECIFICATIONS

PRIMARY MATERIAL	Aluminum
SHADE MATERIAL	Aluminum
NET WEIGHT	8.5 lbs
HEIGHT	0.8in
WIDTH	23.4in
LENGTH	23.4in
UP LIGHT / DOWN LIGHT / BOTH?	
WET LISTED	
DAMP LISTED	
DRY LISTED	
MIN. HANGING HEIGHT	12in
MAX HANGING HEIGHT	144in
TOTAL CORD LENGTH	144in
TOTAL STEM LENGTH	
STEM QTY	
SLOPED CEILING ADAPTABLE?	Yes 45° Max
GENERAL LISTING	ETL Listed
INCLUDES	



LAMPING SPECIFICATIONS

	LED LAMP	INTEGRATED LED	NON LED	NO LAMP
DELIVERED LUMENS		1617		
WATTS		27.3		
MAX WATTAGE PER BULB		27.3W		
		Universal 120V-277V ELV		
CCT		2200K		
CRI		90 CRI		
LED LIFETIME				
L70		>50000		
AVERAGE BULB HOURS				
FIELD SERVICEABLE LED				
LAMP BASE		Integrated LED		
LAMP SHAPE		Integrated LED		
LAMP INCLUDED?		True		
WARRANTY**		5 Years		

* Dimming information available at www.techlighting.com/Downloads#dimming

** Visit techlighting.com for specific warranty limitations and details.

T20 / T24 / JA8 INFORMATION

	Integrated LED	Replacement LED Lamp	No Lamp *
This product can be used to comply with California Building Energy Efficiency Standards 2016 Title 24 Part 6 / JA8.	Yes		
This product can be used to comply with California Appliance Efficiency Standards 2016 Title 20 and may be shipped to and sold in California.	N/A		

* If a light fixture or component does not include a lamp or light source, it is the responsibility of the customer to select a lamp that meets the T24 and T20 requirements.

