

INSTALLATION INSTRUCTIONS

For N7991-572-L/N7992-572-L

WARNING! SHUT POWER OFF AT FUSE OR CIRCUIT BREAKER.

AVERTISSEMENT! COUPER LE COURANT AU NIVEAU DES FUSIBLES OU DU DISJONCTEUR.

MOUNTING THE FIXTURE (Fig. 1)

1. Shut off power at the fuse box or junction box and remove the old fixture including the mounting hardware.
2. Carefully remove the new fixture from the carton and check that all parts are included as shown in the illustration.
3. Attach mounting plate (B) to the junction box (A) (not included) using mounting screws (E) (Size: #8-32*1/2"L). The side of the mounting plate marked "GND" must face out.

CONNECTION THE WIRES (Fig. 2)

4. Connect the electrical wires as shown in Fig. 2, making sure that all wire connectors are secured. If your junction box has a ground wire (green or bare copper), connect the fixture's ground wire to it. Otherwise, connect the fixture's ground wire directly to the mounting plate (B) using the ground screw (F) provided.
5. Tuck wire connections neatly inside the junction box (A).

FINISHING THE INSTALLATION (Fig. 1)

6. Place fixture onto mounting plate (B) and secure with screws (D).
7. Push cable strainer (G) and slightly push in cables to make fixture level if necessary.

Your installation is now complete. Return power to the junction box and test the fixture.

CAUTION / ATTENTION: When handling the fixture, do not apply pressure to the LEDs. Hold the fixture by the base or fixture body only.

Dimmable with ELV and/or LED compatible wall dimmer switch.

MIN 90°C SUPPLY CONDUCTORS
LES FILS D'ALIMENTATION 90°C MIN

Fig. 1

Mounting Plate Set #:

A-021-125D for N7991-572-L/
A-021-145D for N7992-572-L

- Mounting plate (B)
- Ground screw (F)
- Mounting screw*2 (E)

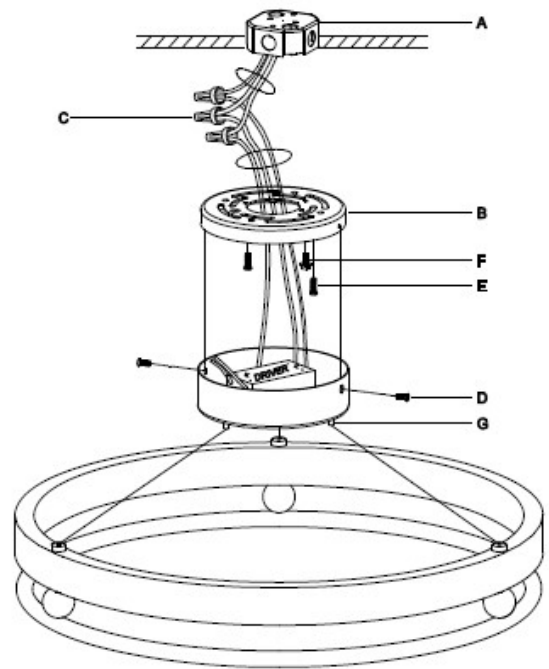
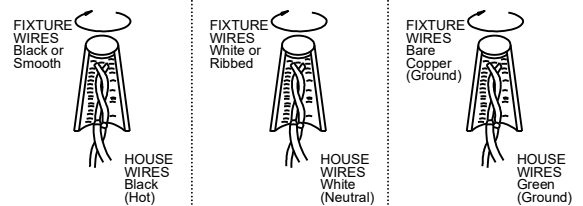


Fig. 2



IMPORTANT: Fixture should be installed by a qualified electrician to ensure proper wiring and installation.

