

FISHER & PAYKEL

WARMING DRAWER

OD30WDX1 models

LE TIROIR CHAUFFANT

Modèles OD30WDX1

**INSTALLATION GUIDE / USER GUIDE
GUIDE D'INSTALLATION / GUIDE D'UTILISATION**

US CA

WARNING!

The warming drawer is not intended to be used in conjunction with water. **DO NOT** fill the drawer or warming cavity with water. Doing so could create a shock hazard, resulting in a possible injury.

DO NOT use water on grease fires. Turn **OFF** the warming drawer, then smother the fire with baking soda or use a dry chemical or foam-type fire extinguisher.

TO REDUCE THE RISK OF INJURY TO PERSONS AND PROPERTY DAMAGE IN THE EVENT OF A FIRE IN THE WARMING DRAWER, OBSERVE THE FOLLOWING: SMOTHER FLAMES with a large lid that will fit flat on the drawer bottom. Using hand protection, turn the unit **OFF**. In case of grease fire, use hand protection and turn unit **OFF** and keep drawer tightly closed until extinguished. If the flames do not go out immediately, **EVACUATE AND CALL THE FIRE DEPARTMENT. NEVER PICK UP A FLAMING PAN** - You may be burned. **DO NOT USE WATER**, including wet dishcloths or towels - a violent steam explosion will result. Use an extinguisher **ONLY** if:

1. You know you have a Class ABC extinguisher, and you already know how to operate it.
2. The fire is small and contained in the area where it started.
3. The fire department is being called.
4. You can fight the fire with your back to an exit.

PLEASE RETAIN THIS MANUAL FOR FUTURE REFERENCE.

SAFETY PRACTICES & PRECAUTIONS	3-4
FEATURES	5
INSTALLATION INSTRUCTIONS	
Specifications	6
Base Cabinet Installation	6
Wall Cabinet Installation	7
Step 1 - Removing the Drawer	8
Step 2 - Mounting Installation of Chassis	9-10
Step 3 - Replacing the Drawer	11
OPERATING INSTRUCTIONS	
Operational Guide	12
Preheat Time and Temperature Selector	12
Proofing Yeast Dough	12
CARE AND MAINTENANCE	
Cleaning the Warming Drawer	13
TEMPERATURE SETTINGS	14
SERVICE	15
WARRANTY	16-18

Read and Understand these Precautions

- *Read this Installation Guide thoroughly before installation. This will help to reduce the risk of fire, electric shock, or injury to persons.*
- *Remove all packaging materials from your appliance.*
- *Install according to instructions. See page 5-9 to insure proper installation and servicing.*
- *Be sure to have a qualified service technician install and ground this appliance.*
- *Plug into rated outlet: 120 Volts AC, 5 Amp min., 15 Amp maximum circuit requirement.*

Preheating Instructions

The Warming Drawer is designed to keep cooked foods warm for extended periods of time. The drawer must be pre-heated before use on high (see Use and Care Guide). If the warming drawer isn't pre-heated, the internal temperature of the food being warmed could fall below the minimum safe level and bacteria could develop. Always preheat the drawer according to the instructions described in the Operating Instructions (page 11).

- *Children should not be left alone or unattended in an area where appliances are in use. They should never be allowed to turn knobs, push buttons, sit or stand on any part of an appliance.*
- *Children in walkers, or children crawling can be attracted to the door handle and may grab and open the warming drawer. This can result in injury from the door being pulled open on a child, or severe burns if it is in use and hot.*



WARNING:

Do not store items of interest to children in, above or around any appliance. Children could be seriously injured if they should climb onto the appliance to reach these items.

Be certain to use only dry pot holders: Moist or damp pot holders on hot surfaces may cause burns from steam. Do not use a towel or other bulky cloth in place of pot holders.

- *Never store anything in the warming drawer. Flammable materials can catch fire, plastic items may melt or ignite and other types of items could be ruined.*
- *Do not hang articles from any part of the appliance or place anything against the drawer. Some fabrics are quite flammable and could catch on fire.*
- *For safety reasons and to avoid damage to the appliance, never sit, stand, or lean on the warming drawer door.*
- *For personal safety, wear proper apparel. Loose fitting garments or hanging sleeves should never be worn while using this appliance. Some synthetic fabrics are highly flammable and should not be worn while using this appliance.*
- *Do not use aluminum foil to line any part of the warming drawer. Using a foil liner could result in a fire hazard, or the obstruction of the flow of heat and ventilation air. Foil is an excellent heat insulator and heat will be trapped underneath it. This trapped heat can upset the performance of the warming drawer parts.*



WARNING:

Do not store or use gasoline or other flammable items in or around unit.

**WARNING:**

This appliance is designed for warming food. Based on safety considerations, never use the warming drawer to warm or heat a room.

- *As with any cooking or heating appliance, never leave the warming drawer unattended when warming food, this could be a fire hazard.*
- *Only certain types of glass, heat proof glass-ceramic, ceramic, earthenware or glazes are suitable for use in this warming drawer. Utensils that are not thermally heat safe may break with sudden temperature changes.*
- *Never heat unopened containers, a build up of pressure may cause the container to burst.*
- *Grease is flammable, avoid letting grease deposits collect in the warming drawer, clean up spillage.*
- *120 Volts AC, 5 Amp min., 15 Amp maximum circuit requirement.*
- *DO NOT use water on grease fires. Turn OFF the warming drawer, then smother the fire with a dry chemical or foam-type fire extinguisher.*
- *When opening the drawer while keeping sauces warm, tomato sauce, etc., the drawer must be opened slowly to avoid spillage.*
- *Use care when opening a hot warming drawer; to avoid severe burns, open slowly, allow the hot air or steam to escape before reaching in to remove or replace any foods.*
- *Do not repair or replace any part of this appliance unless it is specifically recommended in this manual. All other servicing should be referred to a qualified Service Technician. Service Technicians must disconnect the power supply before servicing this appliance.*
- *When using the warming drawer: DO NOT TOUCH THE INTERIOR SURFACES or the exterior area immediately surrounding the door until it has had sufficient time to cool to avoid burn injuries.*
- *Clean the warming drawer with caution. Avoid steam burns; do not use a wet sponge or cloth to clean the appliance while it is hot. Some cleaners produce noxious fumes if applied to a hot surface. Follow directions provided by the cleaner manufacturer.*
- *Be sure all the controls are turned off and the appliance is cool before using any type of aerosol cleaner on or around the appliance. The chemical that produces the spraying action could, in the presence of heat, ignite or cause metal parts to corrode.*
- *Do not touch the heating element or interior surfaces of the warming drawer, even if they appear dark in color. They may still be hot enough to cause burn injury. Allow sufficient time to cool.*
- *Do not allow flammable materials which may ignite to come in contact with the hot heating element or the interior surface of the warming drawer until the unit has had a sufficient time to cool.*

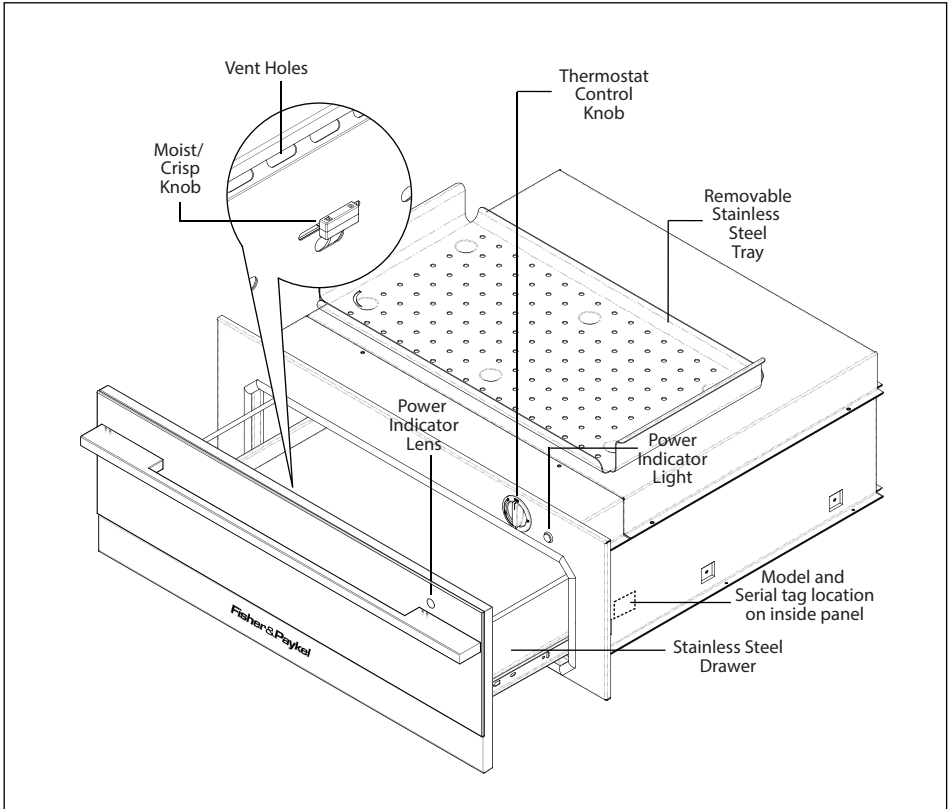


Fig. 01

Specifications

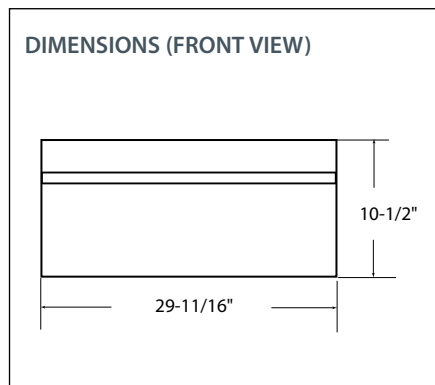


Fig. 02

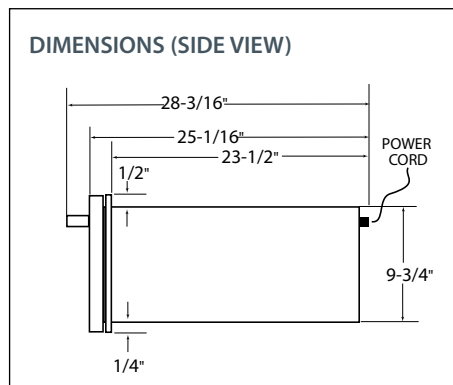


Fig. 03

Base Cabinet Installation

The cabinet depth from the outer edge of the face frame to the inside back of the cabinet or wall should be at least 24" (see Fig. 04).

The Warming Drawer should be installed into a base cabinet with minimum outside dimensions of 13-1/4" high by 30" wide by 24" deep.

Power supply required: 120Volts AC; 5 Amp min., 15 Amp maximum circuit requirement.

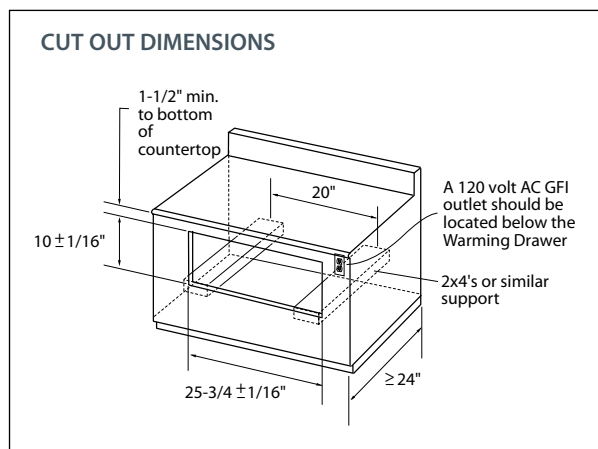


Fig. 04

Wall Cabinet Installation

DOUBLE Wall Oven and Warming Drawer Installation

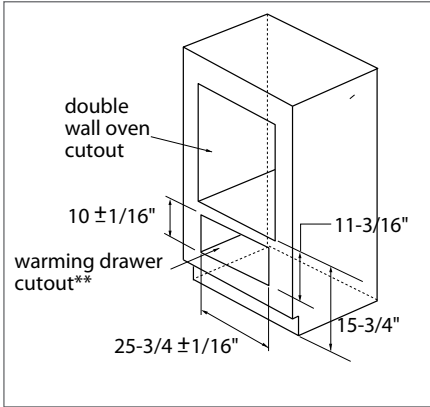


Fig.05

SINGLE Wall Oven and Microwave and Warming Drawer Installation

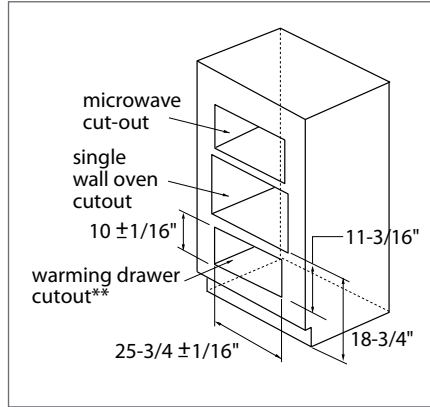


Fig. 06

**The floor of the opening should be constructed of plywood strong enough to support the weight of the Warming Drawer (or use 2x4 construction - see fig. 04)

STEP 1 Removing the drawer

Turn the unit off. Be sure the drawer is cool and no food items or trays are in the drawer. Never attempt to remove the drawer while the unit is on or warm.

1. To remove the drawer, first remove plates, trays, etc., from the drawer.
2. Pull the drawer open towards you all the way until it reaches the stop position (Fig. 07).
3. Unlock the drawer by lifting up the tab on the left hand side (Fig. 08) and pressing down the tab on the right hand side (Fig. 09) while pulling the drawer open at the same time (Fig. 10).

Note: Removing the drawer for the very first time does require extra force.

4. Keep pulling the drawer open until the slides are separated.



Fig. 07



Fig. 08



Fig. 09



Fig. 10

STEP 2 Mounting Installation of Chassis

The lower rear corners of the cabinet need to provide proper support to the back of the Warming Drawer and the anti-tip mounting clips. A 120 volt AC outlet should be located no further than 36 inches from the back right corner of the Warming Drawer.

The bottom rear section of the cabinet should be made of solid plywood or two 2x4 beam. It holds the anti-tip mounting clips and supports the weight of Warming Drawer, which is 90 lbs. (see Fig. 11 and 12). If two 2x4 beams are used, the distance between their centers must be 20" to be able to secure the Warming Drawer.

1. Use the screws provided and attach the mounting clips. They must be installed for anti-tip safety to the bottom support at the back. See placement dimensions in figure below (see Fig. 11).
2. Plug power cord into AC outlet. Slide the body onto the anti-tip mounting clips (see Fig. 12).
3. Use the two supplied 1-1/2" long screws through the two embossed holes (see Fig. 13) to secure the front of the Warming Drawer.

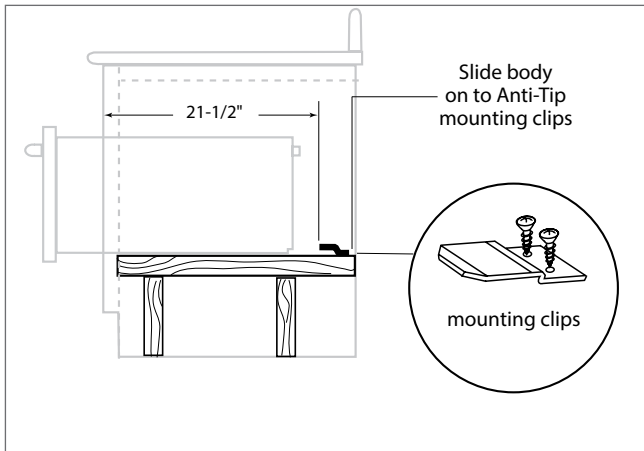


Fig. 11

Installation

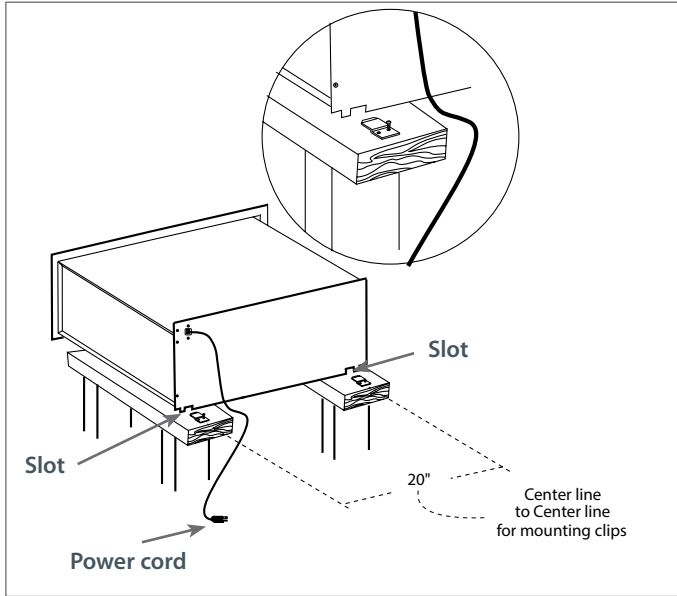


Fig. 12

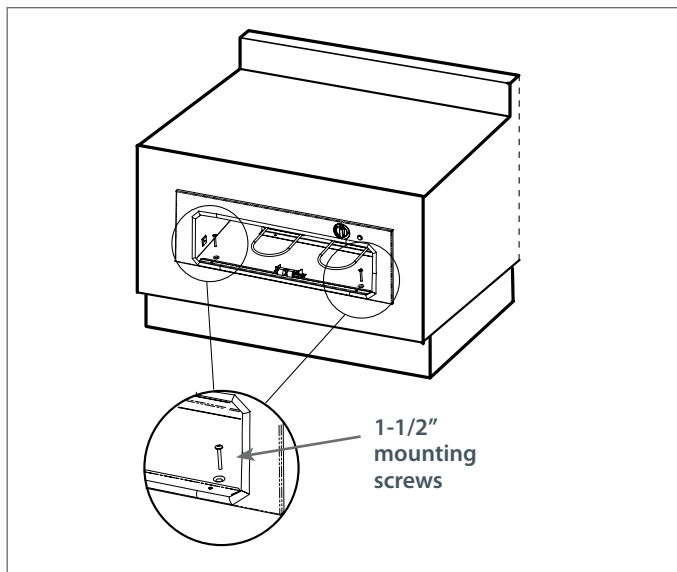


Fig. 13

STEP 3 Replacing the drawer



WARNING!

With the drawer removed, the heating element is exposed. Never turn the unit on while the drawer is removed. Never let children play near or touch the warming drawer while it is not safely installed. Push the slides back into the cabinet while the drawer is removed to prevent accidents.

1. To reinstall the drawer, push the slides fully inside.
2. Position the drawer in front of the cavity and align the slides (Fig. 14).
3. With the slides aligned, push the drawer all the way inside (Fig. 15).

NOTE: When the drawer is re-installed, the slides may feel stiff and hard to push in. This is normal. Pull the drawer back out to realign the rollers. The drawer should now feel smooth and free.



Fig. 14



Fig. 15

Adjusting the latch

The latch can be repositioned vertically by adjusting the two torx screws. The force necessary to open and close the drawer can be changed by adjusting the two flathead screws (Fig. 16).

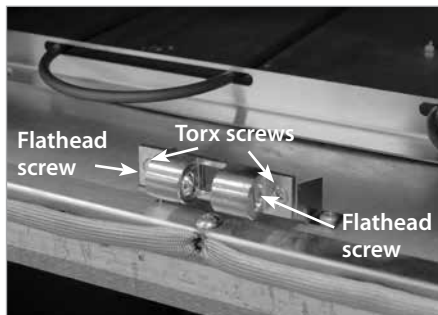


Fig. 16

Operational guide

The Warming Drawer is designed to keep previously cooked foods at a safe, warm temperature, for extended periods of time, when operated correctly. It is not designed to cook or reheat food. The Warming Drawer should be pre-heated according to the chart below prior to inserting the food to be warmed. Food may be kept up to two hours in the warming drawer. Failure to pre-heat could result in unsafe food temperatures, which could accelerate the formation of bacteria in the food being kept warm. The dial on the top right corner of the unit is the on/off and temperature control adjustment. When the dial is turned clockwise from the off position to the proof position, the unit will maintain a temperature of approximately 100°F. By rotating the dial clockwise to the high position, the drawer will reach a temperature of approximately 250°F.

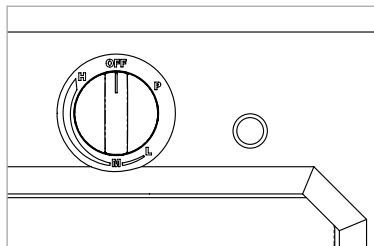


Fig. 17

To Use: Turn the thermostat dial to a temperature setting;

H–High

M–Medium

L– Low

P–Proofing

- If you will be using the tray, preheat it while preheating the warming drawer.
- Preheat any empty serving dishes to be used, while preheating the drawer.
- Add cooked, hot food in its cooking container or heat-safe container.
- Aluminum foil may be used to cover food containers.

Caution

Do not use plastic containers or plastic wrap. They can melt if in direct contact with the drawer or a hot utensil and if these items melt, they may adhere to the drawer and may be unremovable. Use only heat-safe dishes.

Preheat time and temperature selector:

Proofing..... Do not preheat	90°-110°
Low..... Preheat 10 min.	140°-170°
Medium Preheat 15 min.	170°-200°
High..... Preheat 20 min.	200°-250°

- Always preheat on high, then turn the knob to the desired setting.
- To keep several different foods hot together, set the temperature to the food needing the highest setting. Place items needing highest setting on the bottom of the drawer and food needing less heat on the tray.

Proofing Yeast Dough

Place dough in a greased jelly roll or half sheet pan or oiled bowl, no taller than five inches in height. Turn dough over to grease all areas of the dough, cover with a damp clean cloth. Place in the center of warming drawer and turn the control knob to proofing (P). Check at 45 minutes to one hour. Dough should double in size. Shape dough, place in baking pan, and put in warming drawer for second rising, about 30 to 45 minutes; add extra time if needed.

Cleaning the warming drawer

- Be careful cleaning any part of this appliance, particularly the drawer box and back of the drawer face. All parts of the drawer can be cleaned with a hot soapy damp cloth, rinsed, dried and buffed with a heavy pile cloth. Always try this first, as it is the mildest cleaning procedure.
 - Be sure the Warming Drawer is turned off and the appliance is cool before using any type of aerosol cleaner on or around the appliance. The chemical that produces the spraying action could, in the presence of heat, ignite or cause metal parts to corrode.
 - Use the mildest cleaning procedure first. Some brands of cleaners are harsher than others, read their directions. Try on a small area first.
 - To avoid marring the surface always rub the metal finishes in the direction of the polish grain lines. The cleaner will be more effective when used in the direction of the polish lines.
 - Use only clean sponges, soft cloths, paper towels, plastic or non-metal soap pads for cleaning or scouring, as recommended in this section. (Caution: some soap pads can scratch).
 - Be sure to rinse all parts thoroughly and to wipe dry to avoid water marks.
 - Remove food particles after every use.
1. Drawer: Clean the drawer with warm soapy damp sponge or cloth.
 2. Drawer Front: Shine with stainless steel cleaner in direction of grain. Clean glass with glass cleaner.
 3. Gasket: Clean with with hot water only. Do not rub. Press a dry towel on the gasket to dry. Do not remove or damage the mesh.
 4. Knobs: The on/off temperature knob may be removed to be cleaned. The moist/crisp knob, however, should never be removed. Be aware that the pull off force of the knobs will decrease and a loose knob could become a choking hazard for small children.
 5. Light: Clean with damp cloth or sponge.
 6. Element: Care should be taken when cleaning the heating element. Only clean the element when the unit is cool. Use warm soapy water on damp cloth.
 7. Stainless Steel tray: Can be removed and cleaned with hot soapy water at sink.

Temperature settings

Suggested temperatures to keep foods hot

FOOD	TEMPERATURE	SLIDE KNOB POSITION	COVERED/ UNCOVERED
Beef**			
Rare	Low	Moist	Covered
Medium	Med	Moist	Covered
Well Done	Med	Moist	Covered
Bacon	High	Crisp	Uncovered
Bread Dough	Proofing	Moist	Covered
Casseroles	Med	Moist	Covered
Chips	High	Crisp	Uncovered
Cooked Cereal	Med	Moist	Covered
Eggs	Med	Moist	Covered
Fish, Seafood	Med	Moist	Covered
Fried Foods (all)	High	Crisp	Uncovered
Fruit	Med	Moist	Covered
Garlic Bread, Rolls	Low	Moist	Covered
Gravy, Cream Sauces	Med	Moist	Uncovered
Ham	Med	Moist	Covered
Lamb	Med	Moist	Covered
Meat Loaf	Med	Moist	Covered
Pancakes, Waffles	High	Moist	Uncovered
Pies, one crust	Med	Moist	Uncovered
Pies, two crust	Med	Crisp	Uncovered
Pizza	Med	Crisp	Uncovered
Pork	Med	Moist	Covered
Potatoes, baked	High	Crisp	Uncovered
Potatoes, hash browns	High	Crisp	Uncovered
Potatoes, mashed	Med	Moist	Covered
Poultry	High	Moist	Uncovered
Vegetables	Med	Moist	Covered

**USDA/FSIS recommends an internal temperature of 140° F as the minimum doneness for beef. Use a portable meat thermometer to check internal temperatures.

How To Obtain Service:

Before you call for service:

- Is the circuit breaker tripped or the fuse blown?
- Is there a power outage in the area?

For warranty service, please contact your local service provider or Fisher & Paykel Customer Care Representative at (888) 936.7872 or go to our website at www.dcsappliances.com and choose “customer care” to find your nearest Authorized Service Center. Before you call, please have the following information ready:

- Model Number (located at the front right hand side of the body of the drawer)
- Serial Number (located at the front right hand side of the body of the drawer)
- Code (located at the front right hand side of the body of the drawer)
- Date of installation
- A brief description of the problem

Your satisfaction is of the utmost importance to us. If a problem cannot be resolved to your satisfaction, please write or email us at:

Fisher & Paykel Appliances, Inc.
5900 Skylab Road
Huntington Beach, CA 92647

email: Customer.Care@fisherpaykel.com

Limited warranty

When you purchase any new Fisher & Paykel whiteware product for personal or consumer use you automatically receive a one year limited warranty covering parts and labor for servicing within the 48 mainland United States, Hawaii, Washington DC and Canada. In Alaska the limited warranty is the same except that you must pay to ship the product to the service shop or the service technician's travel to your home. Products for use in Canada must be purchased through the Canadian distribution channel to ensure regulatory compliance.

If the product is installed in a motor vehicle, boat or similar mobile facility, you receive the same one year limited warranty, but you must bring the vehicle, boat or mobile facility containing the product to the service shop at your expense or pay the service technician's travel to the location of the product.

Fisher & Paykel undertakes to:

Repair without cost to the owner either for material or labor any part of the product, the serial number of which appears on the product, which is found to be defective. In Alaska, you must pay to ship the product to the service shop or for the service technician's travel to your home. If the product is installed in a motor vehicle, boat or similar mobile facility, you must bring it to the service shop at your expense or pay for the service technician's travel to the location of the product. If we are unable to repair a defective part of the product after a reasonable number of attempts, at our option we may replace the part or the product, or we may provide you a full refund of the purchase price of the product (not including installation or other charges).

This warranty extends to the original purchaser and any succeeding owner of the product for products purchased for ordinary single-family home use.

All service under this limited warranty shall be provided by Fisher & Paykel or its Authorized Service Agent during normal business hours.

How long does this limited warranty last?

Our liability under this limited warranty expires ONE YEAR from the date of purchase of the product by the first consumer.

Our liability under any implied warranties, including the implied warranty of merchantability (an unwritten warranty that the product is fit for ordinary use) also expires ONE YEAR (or such longer period as required by applicable law) from the date of purchase of the product by the first consumer. Some states do not allow limitations on how long an implied warranty lasts, so this limit on implied warranties may not apply to you.

This warranty does not cover:

- A. Service calls that are not related to any defect in the product. The cost of a service call will be charged if the problem is not found to be a defect of the product. For example:
 - 1. Correct faulty installation of the product.
 - 2. Instruct you how to use the product.
 - 3. Replace house fuses, reset circuit breakers, correct house wiring or plumbing, or replace light bulbs.
 - 4. Correct fault(s) caused by the user.
 - 5. Change the set-up of the product.
 - 6. Unauthorized modifications of the product.
 - 7. Noise or vibration that is considered normal, for example, drain/fan sounds, regeneration noises or user warning beeps.
 - 8. Correcting damage caused by pests, for example, rats, cockroaches etc.
- B. Defects caused by factors other than:
 - 1. Normal domestic use or
 - 2. Use in accordance with the product's user guide.
- C. Defects to the product caused by accident, neglect, misuse, fire, flood or Act of God.
- D. The cost of repairs carried out by non-authorized repairers or the cost of correcting such unauthorized repairs.
- E. Travel fees and associated charges incurred when the product is installed in a location with limited or restricted access. (eg airplane flights, ferry charges, isolated geographic areas).
- F. Normal recommended maintenance as set forth in the product's user guide.

If you have an installation problem contact your dealer or installer. You are responsible for providing adequate electrical, exhausting and other connection facilities.

We are not responsible for consequential or incidental damages (the cost of repairing or replacing other property damaged if the product is defective or any of your expenses caused if the product is defective). Some states do not allow the exclusion or limitation of incidental or consequential damages, so the above limitation or exclusion may not apply to you.

You may be required to provide reasonable proof of the date of purchase of the product before the product will be serviced under this limited warranty.

Commercial use

If you are using the product in a commercial setting (any use other than a single family dwelling), we agree to repair or replace, without cost to you for parts only, any defective parts, the serial number of which appears on the product. Our liability for these repairs expires ONE YEAR from the date of original purchase.

At our option we may replace the part or the product, or we may provide you a full refund of the purchase price of the product (not including installation or other charges). All service under this limited warranty shall be provided by Fisher & Paykel or its Authorized Service Agent during normal business hours.

No other warranties

This limited warranty is the complete and exclusive agreement between you and Fisher & Paykel regarding any defect in the product. None of our employees (or our Authorized Service Agents) are authorized to make any addition or modification to this limited warranty.

Warrantor: Fisher & Paykel Appliances, Inc.

If you need further help concerning this limited warranty, please contact us at:

Fisher & Paykel Appliances, Inc.

5900 Skylab Road

Huntington Beach

CA 92647

This limited warranty gives you specific legal rights, and you may also have other rights which vary from state to state.

⚠ AVERTISSEMENT!

Le tiroir chauffant n'est pas prévu pour être utilisé avec de l'eau. **NE PAS** remplir le tiroir ou la cavité chauffante d'eau et ce, pour prévenir tout risque choc, entraînant des blessures éventuelles.

NE PAS utiliser d'eau sur les incendies de graisse. Éteindre le tiroir chauffant puis étouffer l'incendie avec du bicarbonate de soude ou encore utiliser un extincteur de type à poudre extinctrice ou à mousse.

POUR DIMINUER LE RISQUE DE BLESSURES CORPORELLES ET DE DOMMAGES MATÉRIELS EN CAS D'INCENDIE DANS LE TIROIR CHAUFFANT, RESPECTER CE QUI SUIT : ÉTOUFFER LES FLAMMES à l'aide d'un grand couvercle qui couvrira à plat le fond du tiroir. En utilisant une protection pour les mains, éteindre l'unité. En cas d'incendie de graisse, utiliser une protection pour les mains et éteindre l'unité, et garder le tiroir bien fermé jusqu'à extinction de l'incendie. Si les flammes ne s'éteignent pas immédiatement, ÉVACUER ET APPELER LES POMPIERS. NE JAMAIS SAISIR UNE CASSEROLE EN FLAMMES – Risque de brûlure. NE PAS UTILISER D'EAU, y compris chiffons ou serviettes humides – une violente explosion de vapeur en résultera. Utiliser un extincteur UNIQUEMENT dans les cas suivants :

1. On sait que l'on possède un extincteur de classe ABC et on sait déjà s'en servir.
2. L'incendie est petit et contenu dans la zone où il a commencé.
3. On appelle les pompiers.
4. On peut lutter contre l'incendie avec le dos vers une sortie.

VEUILLEZ CONSERVER CE MANUEL À TITRE DE RÉFÉRENCE.

MESURES DE SECURITE ET DE PRECAUTION	21-23
CARACTERISTIQUES	24
INSTRUCTIONS RELATIVES A L'INSTALLATION	
Spécifications	25
Installation de l'élément de base	25
Installation de l'élément mural	26
Étape 1 – Dépose du tiroir	27
Étape 2 – Installation de montage du châssis	28-29
Étape 3 – Remise en place du tiroir	30
INSTRUCTIONS D'UTILISATION	
Guide opérationnel	31
Sélecteur de temps et de température de préchauffage	31
Pour lever la pâte à levure	31
ENTRETIEN ET MAINTENANCE	
Nettoyage du tiroir chauffant	32
REGLAGES DE TEMPERATURE	33
SERVICE	34
GARANTIE	35-37

Veillez lire et bien assimiler ces consignes

- Veillez lire attentivement ce manuel d'utilisation et d'entretien avant d'utiliser votre nouvel appareil. Ceci vous permettra de réduire les risques d'incendie, de chocs électriques ou de blessures.
- Retirez tout le matériel d'emballage de l'appareil. Si un technicien n'a pas installé votre appareil, faites-le maintenant.
- Procédez à l'installation conformément aux instructions. Voir les pages 25 à 30 pour garantir une installation et un service appropriés.
- Confiez la mise à la terre de l'appareil à un technicien qualifié.
- Branchez l'appareil dans une prise de 120 V C.A., 5 A min., 15 A maximum requis.

Instructions de préchauffage

Le chauffe-plats est conçu pour garder les aliments cuits à une température chaude pendant de longues périodes. Il doit être préchauffé avant toute utilisation (voir manuel d'utilisation et d'entretien). Il doit être préchauffé pendant une demi-heure au moins à température maximum. Si le chauffe-plats n'est pas préchauffé, la température interne des aliments chauffés pourrait baisser à un niveau dangereux propice au développement des bactéries. Toujours préchauffer le tiroir en fonction des instructions décrites dans les Instructions d'utilisation (page 31).

- Les enfants ne doivent pas être laissés seuls ou sans surveillance dans un endroit où l'on utilise ce type d'appareil. Il ne faut jamais les laisser tourner ou enfoncer des boutons, ni s'asseoir ou se tenir debout sur l'appareil.
- Des enfants en marchette ou à quatre pattes peuvent être attirés par la poignée ronde de la porte et la saisir pour ouvrir le chauffe-plats. Ils pourraient alors se blesser ou être brûlés sérieusement si l'appareil est en fonctionnement et qu'il est chaud.



AVERTISSEMENT

Évitez de ranger des articles pouvant attirer les enfants dans l'appareil, au-dessus ou à proximité. Les enfants pourraient être blessés sérieusement s'ils grimpent sur l'appareil pour atteindre ces articles.

Utilisez seulement des gants isolants secs: Les gants humides sur des surfaces chaudes peuvent provoquer des brûlures causées par la vapeur. N'utilisez pas de serviette ou de chiffon épais à la place de gants isolants.

- Ne rangez jamais rien dans le chauffe-plats. Des matériaux inflammables pourraient prendre feu, des éléments en plastique pourraient fondre ou s'enflammer et d'autres types d'objets pourraient être détruits.
- Ne suspendez aucun article sur l'appareil et ne placez aucun objet contre lui. Certains matériaux sont extrêmement inflammables et pourraient prendre feu.
- Pour des raisons de sécurité et pour ne pas endommager l'appareil, évitez de vous asseoir, de vous tenir debout ou de vous appuyer contre la porte du chauffe-plats.
- Pour assurer votre propre sécurité, habillez-vous de façon appropriée. Ne portez jamais de

Mesures de sécurité et de précaution

vêtements ou de manches lâches lorsque vous utilisez l'appareil. Certains tissus synthétiques sont extrêmement inflammables et ne doivent pas être portés pendant l'utilisation de l'appareil.

- Ne recouvrez aucune partie du chauffe-plats avec du papier aluminium. L'utilisation de papier aluminium peut créer un risque d'incendie ou empêcher la circulation de la chaleur et de l'air de ventilation. C'est un excellent isolant thermique qui peut emprisonner la chaleur. Celle-ci pourrait alors affecter la performance des pièces du chauffe-plats.



AVERTISSEMENT

Ne pas stocker ni utiliser d'essence ou tout autre article inflammable dans ou à proximité de l'unité.



AVERTISSEMENT

Cet appareil est conçu pour réchauffer les aliments. Pour des raisons de sécurité, n'utilisez jamais le chauffe-plats pour chauffer une pièce.

- Comme pour tout appareil de cuisson ou de chauffage, ne laissez jamais le chauffe-plats sans surveillance quand vous réchauffez de la nourriture, car il y a risque d'incendie.
- Seuls certains types d'ustensiles en verre, vitrocéramique calorifugée, céramique, poterie ou émaillés sont appropriés pour être utilisés dans ce chauffe-plats. Les ustensiles non thermorésistants peuvent se briser à la suite de changements de température soudains.
- Ne chauffez pas de récipients hermétiques car ils pourraient exploser suite à une accumulation de pression.
- Circuit de 120 V c.a., 5 A min., 15 A maximum requis.
- La graisse est inflammable. Évitez donc de laisser des dépôts de graisse s'accumuler dans le chauffe-plats et nettoyez tout déversement.
- NE VERSEZ PAS d'eau sur les feux de graisse. Éteignez le chauffe-plats, puis étouffez le feu avec du bicarbonate de soude ou à l'aide d'un extincteur à poudre ou à mousse.
- Si vous ouvrez le tiroir et qu'il contient des sauces chaudes, de la sauce tomate, etc., ouvrez-le lentement pour éviter tout déversement.
- Faites attention quand vous ouvrez un chauffe-plats chaud; pour éviter tout risque de brûlures graves, ouvrez-le lentement en laissant s'échapper l'air chaud ou la vapeur avant de retirer ou d'introduire des aliments.
- Ne réparez pas ni ne remplacez aucune pièce de cet appareil, sauf indication contraire du manuel. Tout autre travail d'entretien doit être confié à un technicien qualifié. Celui-ci doit débrancher le bloc d'alimentation avant de travailler sur l'appareil.
- Durant l'utilisation du chauffe-plats : afin d'éviter de vous brûler, NE TOUCHEZ PAS LES SURFACES INTÉRIEURES ni la surface extérieure autour de la porte tant qu'elles n'ont pas refroidi.
- Nettoyez le chauffe-plats avec précaution. Évitez de vous brûler à la vapeur : n'utilisez pas d'éponge ou de chiffon mouillé pour nettoyer l'appareil alors qu'il est encore chaud. Certains produits de nettoyage produisent des vapeurs nocives s'ils sont appliqués à une surface chaude. Suivez le mode d'emploi fourni par le fabricant du produit de nettoyage.

- Assurez-vous que les boutons de l'appareil sont fermés et que celui-ci est froid avant d'utiliser des nettoyeurs aérosol à proximité. L'élément chimique qui produit le jet de vaporisation peut, en présence de chaleur, s'enflammer ou provoquer la corrosion des parties métalliques.
- Ne touchez pas l'élément chauffant ni les surfaces intérieures du chauffe-plats. Même si leur couleur semble sombre, ils peuvent encore être assez chauds pour causer des brûlures. Laissez-les le temps de refroidir.
- Ne mettez pas des matériaux inflammables pouvant s'enflammer en contact avec l'élément chauffant ou la surface intérieure du chauffe-plats tant que l'appareil n'a pas refroidi.

Caracteristiques du chauffe-plats

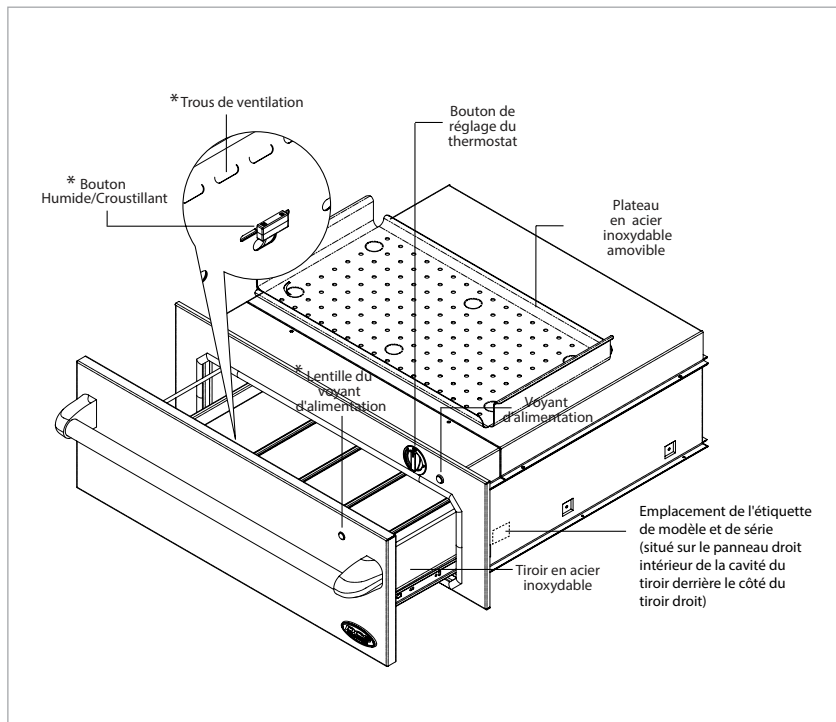


Fig. 01

Spécifications

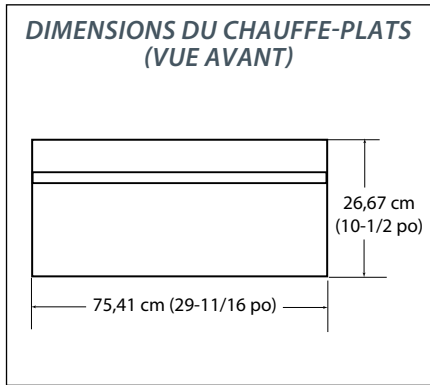


Fig. 02

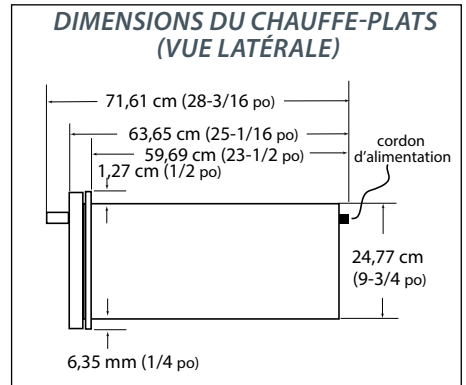


Fig. 03

Installation de l'élément de base

La profondeur du boîtier, à partir de la bordure extérieure de la face avant jusqu'au fond du boîtier ou au mur, doit mesurer 61 cm (24 po) minimum (voir figure 04).

Le chauffe-plats doit être installé dans un boîtier dont les dimensions extérieures minimum doivent être de 33,5 cm (13-1/4 po) de haut sur 76 cm (30 po) de large sur 61 cm (24 po) de profondeur.

Alimentation requise : 120 V c.a.; 5 A min., 15 A maximum requis.

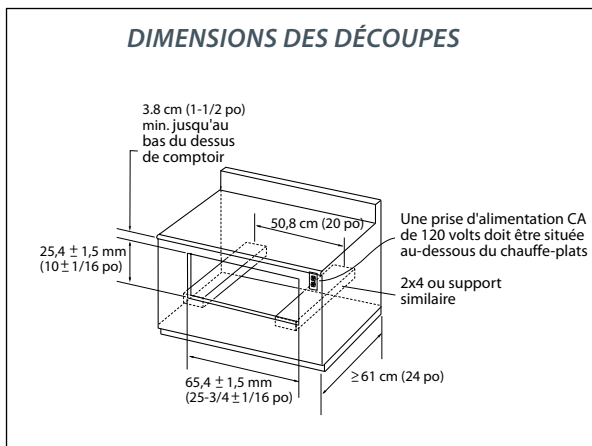


Fig. 04

Préparation des armoires

Four double et installation de chauffe-plats

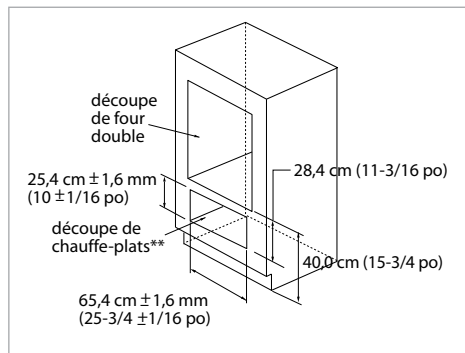


Fig. 05

Four simple, micro-ondes et installation de chauffe-plats

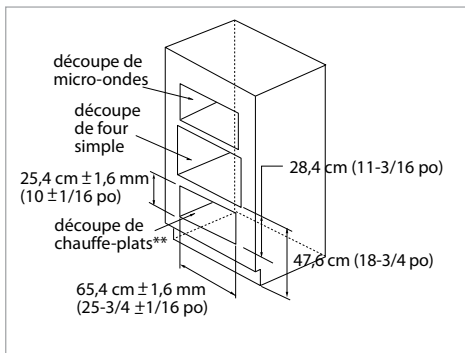


Fig. 06

** Le fonds de l'ouverture doit être fait d'un contre-plaqué assez solide pour supporter le poids du four et sa charge (ou utiliser une construction 2 x 4 - voir fig. 04).

ÉTAPE 1 Retrait du chauffe-plats

Éteindre l'unité. Assurez-vous que le chauffe-plats est froid et qu'aucun aliment ni plateau ne se trouve à l'intérieur. N'essayez jamais de retirer le tiroir lorsque l'appareil est allumé ou chaud.

1. Pour retirer le tiroir, retirez d'abord les plats, plateaux, etc. du tiroir.
 2. Ouvrez le tiroir complètement jusqu'à ce qu'il s'arrête (Fig. 07).
 3. Déverrouillez le tiroir en relevant la languette sur le côté gauche (Fig. 09) et en appuyant sur la patte sur la droite tout en ouvrant le tiroir en même temps (Fig. 10).
- Remarque : Il faudra une force supplémentaire pour retirer le tiroir pour la première fois.
4. Continuer à ouvrir le tiroir en le tirant jusqu'à séparation des coulisses.

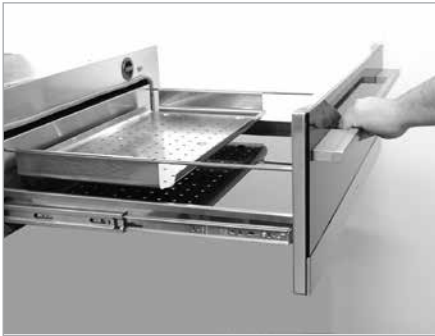


Fig. 07



Fig. 08



Fig. 09



Fig. 10

ÉTAPE 2 Installation de montage du châssis

Les coins inférieurs arrière du boîtier doivent soutenir correctement l'arrière du chauffe-plats et les fixations antibasculement. Une prise c.a. de 120 V doit être située à moins de 92 cm (36 po) du centre arrière du chauffe-plats.

La section arrière inférieure de l'élément doit être fabriquée en contreplaqué plein ou de deux poutres 2 x 4. Il comporte les clips de montage antibasculement et supporte le poids du tiroir chauffant, à savoir 90 lbs. (voir Fig. 11 et 12). Si on utilise deux poutres de 2 x 4, la distance entre leurs centres doit être de 20" pour pouvoir fixer le tiroir chauffant.

1. Fixez, à l'aide des vis fournies, les fixations de montage qui doivent être installées sur le support inférieur, à l'arrière, pour empêcher tout basculement. Voir les mesures de placement à la figure ci-dessous (voir Fig. 11).
2. Brancher le cordon d'alimentation dans une prise c.a. Faire glisser le corps sur les clips de montage antibasculement (voir Fig. 12).
3. Utiliser les deux vis 1-1/2" fournies au travers des deux trous marqués (voir Fig. 13) pour fixer le devant du tiroir chauffant.

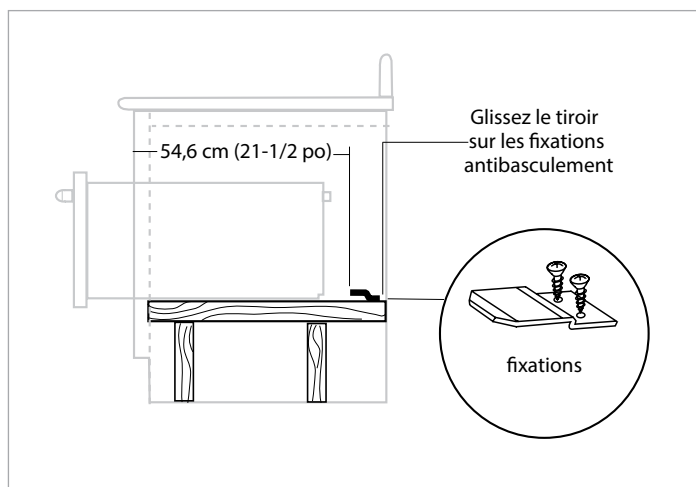


Fig. 11

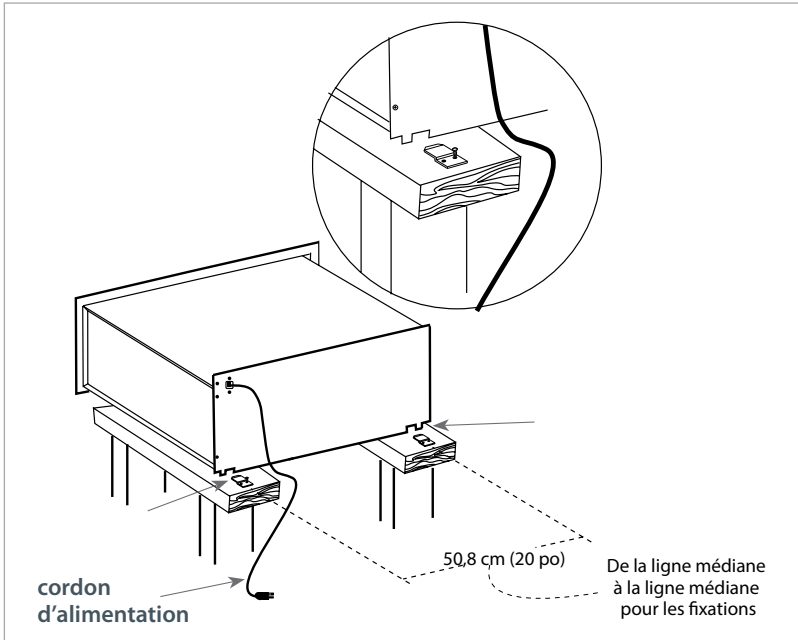


Fig. 12

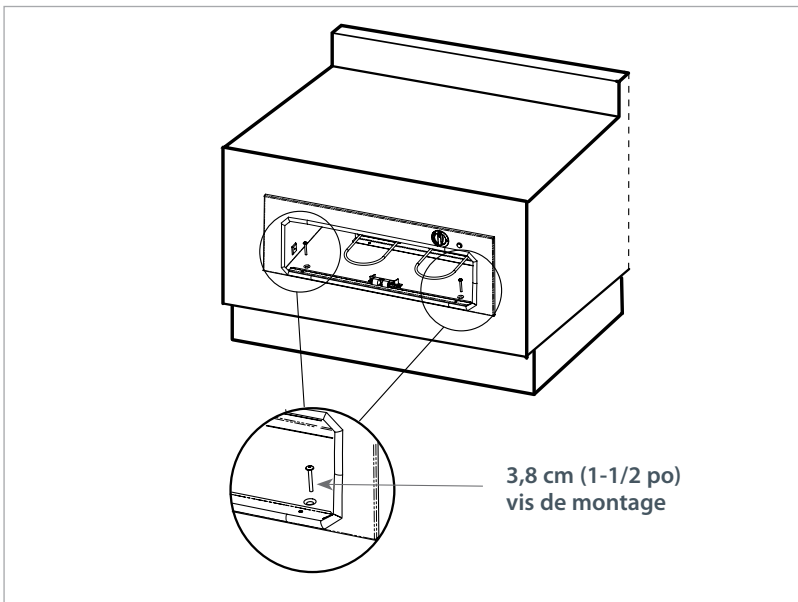


Fig. 13

Remplacement du tiroir

AVERTISSEMENT

Lorsque le tiroir est retiré, l'élément chauffant est exposé. N'allumez jamais l'appareil en l'absence du tiroir. Ne laissez jamais les enfants jouer à proximité du chauffe-plats ou le toucher lorsqu'il n'est pas installé de façon sécuritaire. Pour éviter tout risque d'accident, repoussez les glissières dans le boîtier lorsque le tiroir a été retiré.

1. Pour remettre le tiroir en place, pousser les coulisses complètement à l'intérieur.
2. Placer le tiroir devant la cavité et aligner les coulisses (Fig. 14).
3. Une fois les coulisses alignées, enfoncer complètement le tiroir à l'intérieur (Fig. 15).

REMARQUE : Une fois le tiroir remis en place, les coulisses seront peut-être rigides et difficiles à enfoncer. Ceci est normal. Sortir le tiroir en le tirant pour réaligner les roulettes. Le tiroir devrait maintenant fonctionner régulièrement et librement.



Fig. 14



Fig. 15

Ajustage du loquet

Le loquet peut être repositionné verticalement en ajustant les deux vis Torx. La force nécessaire pour ouvrir et fermer le tiroir peut être modifiée en ajustant les deux vis tête plate (Fig. 16).

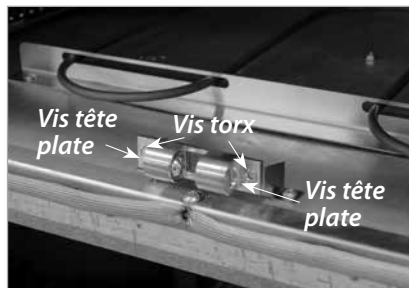


Fig. 16

Guide opérationnel

Le chauffe-plats est conçu pour garder les aliments cuits à une température chaude sécuritaire, pendant de longues périodes, à condition d'être utilisé correctement. Il n'est pas conçu pour cuire ou réchauffer les aliments. Le chauffe-plats doit être préchauffé tel qu'indiqué au tableau ci-dessous avant d'y placer des aliments à réchauffer. Les aliments peuvent être gardés dans le chauffe-plats jusqu'à deux heures. S'il n'est pas préchauffé, la température des aliments pourrait baisser à un niveau dangereux propice au développement des bactéries. Le bouton au coin supérieur droit de l'appareil permet de l'allumer et de l'éteindre et de régler le niveau de température. Tournez le bouton à droite, de la position éteint à la position basse température, pour maintenir une température d'environ 38 °C (100 °F). Tournez le bouton à droite, en position de température élevée, pour maintenir le chauffe-plats à environ 121°C (250 °F).

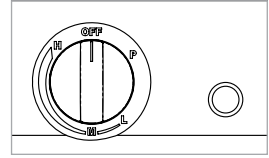


Fig. 17

Utilisation : Tournez le bouton thermostatique pour choisir un réglage de température;
 High (Haut) Medium (Moyen) Low (Bas) Proofing (Apprêt)

- Si vous comptez utiliser le plateau, préchauffez-le tout en préchauffant le chauffe-plats.
- Préchauffez tous les plats vides devant être utilisés, tout en préchauffant le chauffe-plats.
- Ajoutez les aliments cuits dans leurs récipients de cuisson ou des récipients thermorésistants.
- Vous pouvez couvrir les récipients avec du papier d'aluminium.

MISE EN GARDE

N'utilisez pas de récipients en plastique ni de film de plastique. Ceux-ci peuvent fondre au contact du chauffe-plats ou d'un ustensile chaud et, dans ce cas, peuvent adhérer au chauffe-plats au point de ne pouvoir être enlevés. Utilisez uniquement des plats thermorésistants.

Préchauffer et sélecteur de température :

Apprêt (Proof).....Ne pas préchauffer	32 °C-43 °C (90 °F -110 °F)
Bas (Low).....Préchauffer 10 min.	60 °C -77 °C (140 °F-170 °F)
Moyen (Medium)Préchauffer 15 min.	77 °C -93 °C (170 °F-200 °F)
Haut (High).....Préchauffer 20 min.	93 °C-121 °C (200 °F -250 °F)

- Préchauffez toujours sur high (haut), puis tournez le bouton vers le réglage voulu.
- Pour conserver la chaleur de plusieurs aliments mis ensemble, réglez la température en fonction de celui qui exige la température la plus élevée. Placez les aliments nécessitant le réglage le plus élevé au fond du chauffe-plats et la nourriture exigeant le moins de chaleur sur le plateau

Apprêt la pâte

Placez la pâte dans un roulé à la gelée, une plaque à pâtisserie ou un bol huilé, pas plus haut que 12,7 cm (5 po). Retournez la pâte pour bien la huiler et recouvrez-là d'un linge humide propre. Placez-là au centre du chauffe-plats et mettez le bouton de réglage surproof (P)(apprêt). Vérifiez après 45 minutes ou une heure. La pâte devrait avoir doublé de taille. Mettez la pâte en forme, placez-la dans un moule et mettez celui-ci dans le chauffe-plats pour la seconde fermentation, pendant environ 30 à 45 minutes; augmentez la durée au besoin..

Nettoyage du chauffe-plats

- Faites attention quand vous nettoyez cet appareil, en particulier le boîtier du tiroir et l'arrière de la face du tiroir. Toutes les parties de l'appareil peuvent être nettoyées avec linge humide savonneux chaud, puis rincées, séchées et bien polies à l'aide d'un tissu à poils épais. Essayez cela en premier, c'est la façon la plus douce de le nettoyer.
 - Assurez-vous que le chauffe-plats est éteint et froid avant d'utiliser un nettoyant aérosol quelconque. L'élément chimique qui produit le jet de vaporisation peut, en présence de chaleur, s'enflammer ou provoquer la corrosion des parties métalliques.
 - Employez la méthode de nettoyage la plus douce d'abord. Certains produits de nettoyage sont plus durs que d'autres. Lisez leur mode d'emploi. Faites un essai sur une petite surface au préalable.
 - Pour ne pas gâcher la surface, frottez toujours la finition dans le sens du polissage, ce qui donne plus d'efficacité au nettoyant.
 - Pour nettoyer ou récurer, utilisez uniquement des éponges propres, des tissus doux, des essuie-tout, des tampons à récurer savonneux en plastique ou non-métalliques. (Attention : certains tampons à récurer peuvent égratigner la surface).
 - Rincez soigneusement et séchez en essuyant pour éviter de laisser des marques d'eau.
 - Retirez les particules alimentaires après chaque utilisation.
-
1. Tiroir : Nettoyez le chauffe-plats à l'aide d'une éponge ou d'un linge humide savonneux tiède.
 2. Devant du tiroir : Polissez au moyen d'un nettoyant pour acier inoxydable dans le sens du grain. Nettoyer le verre avec du nettoyant pour vitres.
 3. Joint : Nettoyer à l'eau chaude uniquement. Ne pas frotter. Appuyer une serviette sèche sur le joint pour sécher. Ne pas retirer ni endommager le tamis.
 4. Boutons : Vous pouvez retirer le bouton de température pour le nettoyer. Toutefois, le bouton moist/crisp (humide/croustillant) ne doit jamais être retiré. En effet, il deviendra facile à décoller et de jeunes enfants pourraient s'étouffer avec.
 5. Lumière : Nettoyez à l'aide d'un chiffon ou d'une éponge humide.
 6. Élément chauffant : Faites attention lorsque vous nettoyez l'élément chauffant : ne le faites qu'une fois l'appareil refroidi. Utilisez de l'eau tiède savonneuse sur un chiffon humide.
 7. Plateau en acier inoxydable : Peut être retiré et nettoyé avec de l'eau savonneuse chaude dans l'évier.

Températures suggérées pour garder les aliments chauds

ALIMENTS	TEMPÉRATURE	GLISSEZ LE BOUTON DE POSITION	RECOUVERT/ DÉCOUVERT
Bœuf**			
Saignant	Bas	Humide	Recouvert
Demi-saignant	Moyen	Humide	Recouvert
À point	Moyen	Humide	Recouvert
Bacon	Haut	Croustillant	Découvert
Pâte à pain	Apprêt	Humide	Recouvert
Casseroles	Moyen	Humide	Recouvert
Croustilles	Haut	Croustillant	Découvert
Céréales cuites	Moyen	Humide	Recouvert
Œufs	Moyen	Humide	Recouvert
Poisson, fruits de mer	Moyen	Humide	Recouvert
Aliments frits (tous)	Haut	Croustillant	Découvert
Fruit	Moyen	Humide	Recouvert
Pain à l'ail, petits pains	Bas	Humide	Recouvert
Sauce d'arrosage, sauces à la crème	Moyen	Humide	Découvert
Jambon	Moyen	Humide	Recouvert
Agneau	Moyen	Humide	Recouvert
Pain de viande	Moyen	Humide	Recouvert
Crêpes, gaufres	Haut	Humide	Découvert
Tartes, une croûte	Moyen	Humide	Découvert
Tartes, deux croûtes	Moyen	Croustillant	Découvert
Pizza	Haut	Croustillant	Découvert
Porc	Moyen	Humide	Recouvert
Pommes de terre, au four	Haut	Croustillant	Découvert
Pommes de terre, pommes de terre rissolées	Haut	Croustillant	Découvert
Pommes de terre, purée	Moyen	Humide	Découvert
Volaille	Haut	Humide	Découvert
Légumes	Moyen	Humide	Recouvert

Pour l'obtention de service :

Avant d'appeler le service technique :

1. Est-ce que le disjoncteur s'est déclenché ou que le fusible est grillé?
2. Y a-t-il une coupure de courant dans le secteur?

Pour le service sous garantie, veuillez contacter votre distributeur ou contactez le centre DCS agréé le plus proche au (888) 936-7872 ou consulter notre site Web www.dcsappliances.com et choisir « Customer Care » pour trouver le Centre de service le plus proche. Avant d'appeler, veuillez avoir les informations suivantes à portée de main :

- Numéro de modèle (situé sur le côté avant droit du corps du tiroir)
- Numéro de série (situé sur le côté avant droit du corps du tiroir)
- Code (situé sur le côté avant droit du corps du tiroir)
- Date d'installation
- Brève description du problème

Votre satisfaction revêt la plus haute importance pour nous. Si un problème n'est pas résolu à votre entière satisfaction, veuillez communiquer par courrier avec notre Centre de service à la clientèle ou email : customer.care@fisherpaykel.com
Écrivez-nous à l'adresse suivante :

Fisher & Paykel Appliances, Inc.
Attention: DCS Customer Care
5900 Skylab Road
Huntington Beach, CA 92647
U.S.A.

Garantie limitée

Lorsque vous achetez un nouvel appareil électroménager Fisher & Paykel pour une utilisation ménagère, vous recevez automatiquement une garantie limitée d'un an couvrant les pièces de rechange et la main d'oeuvre pour le service dans les 48 états du continent américain, Hawaï, Washington D.C. et au Canada. Eu égard à l'Alaska, la garantie limitée est identique sauf que vous devez prendre en charge les frais d'expédition du produit jusqu'au service clientèle ou prendre en charge les frais de déplacement du technicien de maintenance jusqu'à votre domicile. Les produits destinés à être utilisés au Canada doivent être achetés par l'intermédiaire de la chaîne de distribution canadienne pour garantir la conformité avec la réglementation en vigueur.

Si le produit est installé dans un véhicule automobile, sur un bateau ou sur une unité mobile similaire, vous bénéficiez de la même garantie limitée d'un an, mais il relève de votre responsabilité d'amener le véhicule, bateau ou l'unité mobile dans laquelle est installé le produit au service après-vente à vos frais ou de prendre en charge les frais de déplacement du technicien de maintenance jusqu'au lieu où se trouve le produit.

Fisher & Paykel s'engage à :

Réparer sans frais encourus sur le propriétaire en termes de main d'oeuvre ou de matériau une quelconque partie du produit, dont le numéro de série se trouve sur le produit, s'avérant défectueuse. Eu égard à l'Alaska, vous devez prendre en charge les frais d'expédition du produit jusqu'au service clientèle ou prendre en charge les frais de déplacement du technicien de maintenance jusqu'à votre domicile. Si le produit est installé dans un véhicule automobile, sur un bateau ou sur une unité mobile similaire, il relève de votre responsabilité d'amener le véhicule, bateau ou l'unité mobile dans laquelle est installé le produit au service après-vente à vos frais ou de prendre en charge les frais de déplacement du technicien de maintenance jusqu'au lieu où se trouve le produit. Si nous ne pouvons pas réparer une pièce défectueuse du produit après un nombre raisonnable de tentatives, nous procéderons au remplacement de la pièce ou du produit ou nous vous proposerons de vous rembourser intégralement le prix d'achat du produit (frais d'installation et autres frais étant exclus), selon notre choix.

Cette garantie s'étend à l'acheteur original et à tout propriétaire successeur du produit pour les produits achetés pour toute utilisation ménagère par une seule famille. Le service en vertu de cette garantie limitée devra être assuré par Fisher & Paykel ou par son agent agréé pendant les heures normales de bureau.

Durée de cette garantie limitée?

Notre responsabilité en vertu de cette garantie limitée expire UN AN après la date d'achat du produit par le premier consommateur.

Notre responsabilité en vertu de toutes garanties implicites, y compris la garantie implicite de qualité marchande (une garantie implicite selon laquelle le produit est adapté à toute utilisation ordinaire) expire également UN AN (ou durée supérieure comme requis par la loi en vigueur) à compter de la date d'achat du produit par le premier consommateur. Certains états n'autorisent pas les limitations sur la durée de la garantie implicite, il est donc possible que les limitations sur les garanties implicites ne vous concernent pas.

Cette garantie ne couvre pas les points suivants :

- A. Les déplacements d'un technicien de maintenance jusqu'à votre domicile pour tout problème non lié à un défaut dans le produit. Les frais du déplacement vous seront facturés si le problème s'avère ne pas être un défaut du produit. Par exemple :
 - 1. Rectifier une mauvaise installation du produit.
 - 2. Vous expliquer comment utiliser le produit.
 - 3. Remplacer les fusibles de la maison ou procéder au réglage des disjoncteurs, refaire le câblage ou la plomberie de la maison ou remplacer les ampoules.
 - 4. Rectifier les défaillances provoquées par l'utilisateur.
 - 5. Rectifier le réglage du produit.
 - 6. Modifications non autorisées du produit.
 - 7. Bruit ou vibrations considérés comme normaux, par exemple, bruits de tuyauterie/ventilateur, bruits de régénération ou sonneries d'avertissement destinées à l'utilisateur.
 - 8. Réparations des dommages provoqués par des animaux nuisibles comme les rats ou les cafards, etc.
- B. Défauts causés par des facteurs autres que :
 - 1. L'utilisation ménagère normale ou
 - 2. L'utilisation en conformité avec le manuel d'utilisation du produit.
- C. Les défaillances du produit causées par accident, la négligence, une mauvaise utilisation, l'incendie, l'inondation ou une catastrophe naturelle.
- D. Les frais des réparations effectuées par des réparateurs non agréés ou les frais associés à la correction de telles réparations non autorisées.
- E. Les frais de déplacement et frais associés encourus lorsque le produit est installé dans un endroit disposant d'un accès limité ou restreint (p. ex. : frais d'avions, frais de ferry et zones géographiques isolées).
- F. La maintenance recommandée normale comme énoncée dans le manuel d'utilisation du produit.

En cas de problème avec l'installation, prenez contact avec votre revendeur ou installateur. Les raccordements électriques et d'évacuation et autres raccordements relèvent de votre responsabilité. Nous ne sommes pas responsable des dommages indirects (les frais des réparations ou les frais de remplacement d'autres propriétés endommagées si le produit est défectueux ou vos dépenses encourues si le produit est défectueux). Certains états n'autorisent pas l'exclusion ou la limitation des dommages indirects, il est donc possible que la limitation ou l'exclusion ci-dessus ne s'applique pas à votre situation.

Il est possible qu'il vous soit demandé de fournir une preuve valable de la date d'achat du produit avant que le produit puisse être accepté par le service clientèle en vertu de cette garantie limitée.

Utilisation commerciale

Si vous utilisez le produit dans un environnement commercial (toute autre utilisation que l'utilisation par une unité familiale simple), nous nous engageons à réparer ou remplacer, sans frais de pièces uniquement, les pièces défectueuses dont le numéro de série figure sur le produit. Notre responsabilité eu égard à ces réparations expire UN AN à compter de la date d'achat originale.

Selon notre choix, nous procéderons au remplacement de la pièce ou du produit ou nous vous proposerons de vous rembourser intégralement le prix d'achat du produit (frais d'installation et autres frais étant exclus). Le service en vertu de cette garantie limitée devra être assuré par Fisher & Paykel ou par son agent agréé pendant les heures normales de bureau.

Aucune autre garantie

Cette garantie limitée constitue l'intégralité de l'accord exclusif passé entre l'acheteur et Fisher & Paykel eu égard à toute défaillance du produit. Aucun de nos employés (ou de nos agents agréés) n'est autorisé à procéder à un quelconque ajout ou à une quelconque modification de cette garantie limitée.

Garant : Fisher & Paykel Appliances, Inc.

Si vous avez besoin d'assistance eu égard à cette garantie limitée, veuillez nous contacter au numéro ci-dessus ou nous écrire à l'adresse ci-dessous :

Fisher & Paykel Appliances, Inc
5900 Skylab Road
Huntington Beach
CA 92647

Cette garantie limitée vous donne des droits juridiques spécifiques et il est également possible que vous bénéficiiez d'autres droits pouvant varier d'un état à un autre.

FISHERPAYKEL.COM

© Fisher & Paykel Appliances 2017. All rights reserved.

The product specifications in this booklet apply to the specific products and models described at the date of issue. Under our policy of continuous product improvement, these specifications may change at any time. You should therefore check with your Dealer to ensure this booklet correctly describes the product currently available.

© Fisher & Paykel Appliances 2017. Tous droits réservés.

Les caractéristiques de produit présentées dans ce livret s'appliquent aux modèles et produits spécifiques qui y sont décrits à la date de publication. Dans le cadre de notre politique d'amélioration en permanence de nos produits, ces caractéristiques peuvent être modifiées à tout moment. Nous vous recommandons de vérifier auprès de votre détaillant que ce livret décrit le produit actuellement disponible.

US CA

242594 C 08.17