

24" STAINLESS STEEL REFRIGERATOR DRAWERS

TUR-24-D-SS-C

FEATURES

- Environmentally friendly, R600a hydrocarbon refrigerant that improves performance and efficiency while ensuring quiet operation.
- Industry exclusive, 300-series stainless steel interior and exterior.
- Patented TruLumina® LED lighting gently illuminates your product and allows you to choose from 14 different color options with the push of a button.
- True Precision Control® with steel touch technology and readout provides digital accuracy.
- Balanced, forced-air refrigeration system enables rapid product pull down and even temperature throughout.
- Exclusive True®-Glide soft-close feature for both drawers.
- Rated for both beverage and open food storage.
- NSF/ANSI Standard 7 compliant for packaged food product.
- Sabbath mode compliant.
- All undercounter models UL rated for outdoor use.

ORGANIZATION

- 2 heavy-duty adjustable bin dividers per drawer.



BUILD YOUR TRUE

Customize your True with a variety of finish and hardware options at true-residential.com.

CUSTOMIZATION



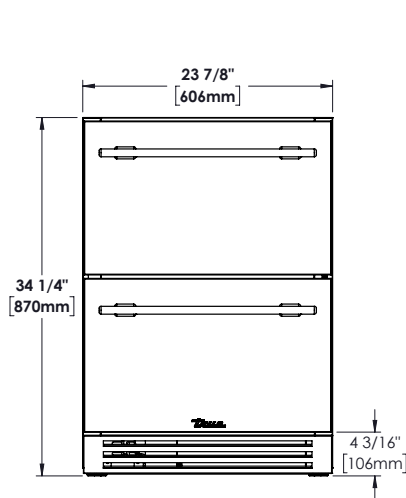
SPECIFICATIONS

Dimensions* (w x h x d)	23 7/8" x 34 1/4" x 23 7/8"
Cutout Dimensions (w x h x d)	24" x 34 1/2" x 24"
Capacity (cu. ft.)	5.4  x 207
Temperature Range	33°F - 47°F
Weight (lbs.)	210
Voltage	115/60/1  115/60/1 NEMA-5-15R
Amps	1.9
Annual Energy Consumption (kwh)	277
Power Cord Length (ft.)	8
Energy Star Rated	Yes

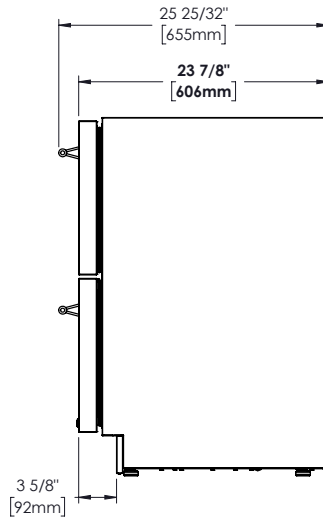
*Dimensions may vary +/- 1/8"

24" STAINLESS STEEL REFRIGERATOR DRAWERS

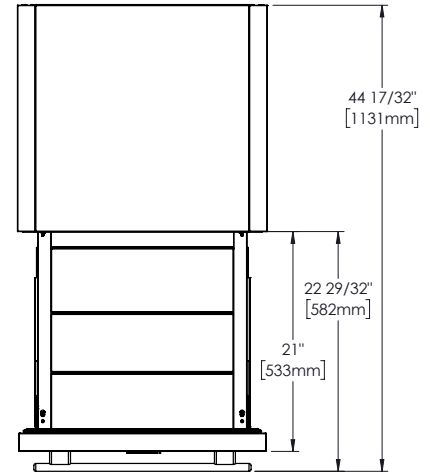
TUR-24-D-SS-C



FRONT



SIDE



TOP

OPENING DIMENSIONS



MODEL OPTIONS

MODEL	FINISH
TUR-24-D-SS-C	Stainless Refrigerator Drawer

ACCESSORIES (OPTIONAL)

- Anti-condensation pads
- Drawer pan kit

WARRANTY

- 3 year full (parts & labor)
- 6 year sealed system (parts & labor)
- 7-12 year (parts only – sealed system on registered products)

