

LG Styler® Steam Closet

- Perfect Laundry Companion
- Large Capacity (4 Items)
- TrueSteam® Technology
- Refresh Clothing
- Reduce Wrinkles & Odors
- Gentle, Fast Drying for Delicates
- Pants Crease Care
- Plug & Go Installation, No Plumbing Needed
- LG ThinQ® Technology (Wi-Fi)

LG styler® Steam Closet



COLOR AVAILABILITY

- S3MFBN – Mirror Finish
- S3RFBN – Espresso (Dark Brown)
- S3WFBN – White

CAPACITY & MATCHING DRYERS

Maximum Capacity	11.4 lbs. / 3 Hangers + 1 Pant (4 items)
------------------	--

APPEARANCE

Touch Control Hidden Display	Yes
------------------------------	-----

FEATURES

TrueSteam®	Yes
Heat-Pump System (Inverter)	Yes
Gentle Drying	Yes
Sound	On / Off
Interior Lights	3 LED (2 White, 1 Blue)
ADA Compliant	No
Reversible Door	Yes

FABRIC CARE

Cycles	
Refresh	Light, Normal, Heavy
Sanitary	Normal, Bedding, Soft Toy (Kid's Item), Heavy Duty
Gentle Dry	Normal, Rain/Snow, Time Dry
Special Care	Suits/Coats, Pants Crease, Downloaded Cycle
Downloadable Cycles	Ready to Go (Default Download 1), Athletic Uniform / Equipment, Air Fresh, Shawls / Neckties, Silent Mode, Warms up, Static Removal
Estimated Cycle Times (minutes)	
Refresh	20 / 48 / 67 min. (Light/Normal/Heavy)
Sanitary	88 / 103 min. (Normal/Heavy)
Gentle Dry	120 / 150 / 30-150 min. (Normal/Delicates/Time Dry)
Special Care (Downloaded)	10 min.
AAFA Certified	Yes
Intertek Certified*	Yes

CONVENIENCE

Portable Water Fill Container (No Hose Needed)	Yes
Portable Water Drainage Container (No Hose Needed)	Yes
Versatile Rack	Yes
Aroma Kit	Yes (sheets sold separately)
Pants Crease Care	Yes
Moving Hanger	3 Included

SMART FEATURES

Wi-Fi Enabled	Yes
ThinQ®	Yes
Proactive Customer Care	No
Voice Control	Google Assistant, Amazon Alexa
SmartDiagnosis™	Yes
Remote Start and Cycle Monitor	Yes

TECHNICAL SPECS

Type	Electric
Ratings	CSA Listed
Electrical Requirements	120V, 12.5 Amps, 60Hz
Minimum Circuit Breaker Size	15 Amp
Power Consumption	1,500 Watts
Plug Type	3-Prong

INCLUDED ACCESSORIES

3 Hangers, 1 Pants Hanger, 1 Pants Press, 1 Shelf, 1 Drip Tray, 1 Anti-Tip Kit, 2 Rear Leveling Legs, 4 Carpet Install Spikes

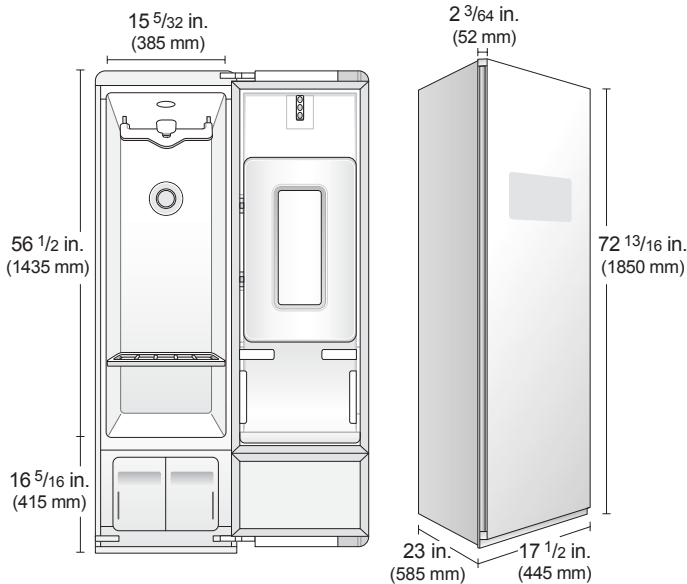
DIMENSIONS

Product (W x H x D)	17 1/2" x 72 3/4" x 23"
Depth with Door Open	39 3/8"
Clearances	2" Side/Back, 7 3/4" Top
Cutout Dimensions (W x H x D)	18" x 74 3/8" x 24 7/8"
Carton Dimensions (W x H x D)	21" x 75 4/5" x 26"
Approx. Weight (Product / Carton)	172 lbs. / 190 lbs.

LIMITED WARRANTY

Parts and Labor	1 Year
Smart Inverter Compressor	10 Years

PRODUCT DIMENSIONS

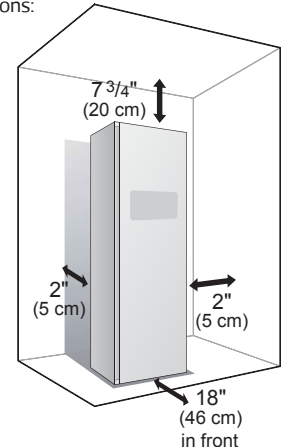


CLEARANCES

Recommended Installation Spacing

The following clearances are recommended for the Styler. Although the Styler has been tested for clearances of 1 3/16 inch (3 cm) on the sides and rear, recommended clearances should be considered for the following reasons:

- Additional space should be considered for ease of installation and servicing.
- Additional space might be required for wall, door and floor moldings.
- Additional space should be considered on all sides of the Styler to reduce noise transfer.
- Additional laundry appliance spacing should also be considered.



CLEARANCES

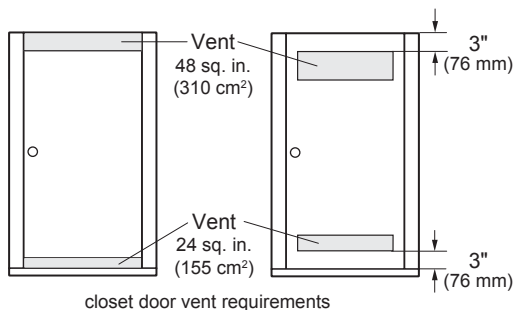
Installation Spacing for Recessed Area or Closet Installation

There should be at least a little space around the Styler (or any other appliance) to avoid contact with walls, furniture, or other appliances during operation. Allow a minimum of 1 3/16 inch (3 cm) on all sides of the Styler to avoid increased noise or damage.

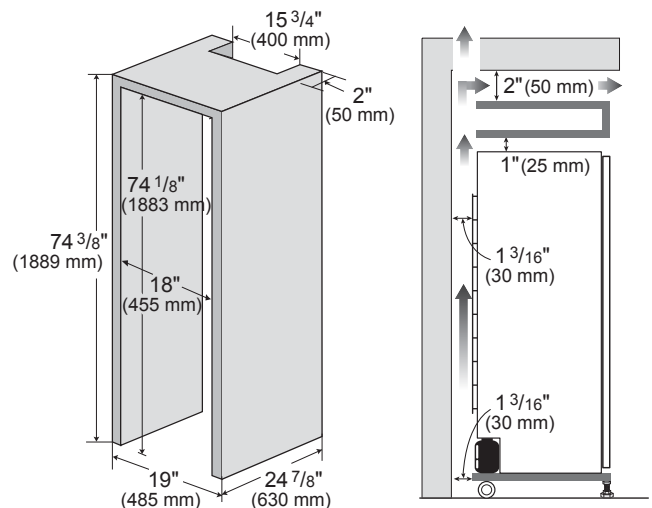
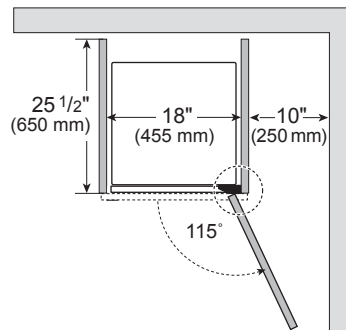
- For closet installation, with a door, minimum ventilation openings in the top and bottom of the door are required. Louvered doors with equivalent ventilation openings are acceptable.
- Minimum vent opening for built-in installation is 31 1/2 sq. in. (200 cm²).

Closet Ventilation Requirements

Closets with doors must have both an upper and lower vent to prevent heat and moisture buildup in the closet. One upper vent opening with a minimum opening of 48 sq. in. (310 cm²) must be installed no lower than 6 feet (185 cm) above the floor. One lower vent opening with a minimum opening of 24 sq. in. (155 cm²) must be installed no more than one foot above the floor. One example shown uses vent grilles in the door.



Built-In Installation



* Intertek test results show that model successfully reduces the reduction rate (bactericidal effectiveness) of S.aureus (ATCC 6538) and E.coli (ATCC 25922) is all more than 99.9% under the sterilization course. Data on File.

ASTHMA & ALLERGY FRIENDLY Mark is a Registered Trade Mark of the ASTHMA AND ALLERGY FOUNDATION OF AMERICA and ALLERGY STANDARDS LTD.