

INSTALLATION INSTRUCTIONS

BUILT-IN ALL REFRIGERATOR/ALL FREEZER GRILLE KIT Retain for Future Reference

VIKING
111 Front Street
Greenwood, Mississippi 38930 USA
(662) 455-1200

IMPORTANT - PLEASE READ AND FOLLOW

Make sure that incoming voltage is the same as unit rating. An electric rating plate specifying voltage, frequency, wattage, amperage, and phase is attached to the product.

To reduce the risk of fire, electric shock, or injury to persons, installation work and electrical wiring must be done by qualified people in accordance with all applicable codes and standards, including fire-rated construction.

The installer should leave these instructions with the consumer who should retain them for local inspector's use and for future reference.

GENERAL INFORMATION

Your safety and the safety of others is very important.

We have provided many important safety messages in this manual and on your appliance. Always read and obey all safety messages.

This is the safety alert symbol. This



symbol alerts you to hazards that can kill or hurt you and others.

All safety messages will be preceded by the safety alert symbol and the word "DANGER" or "WARNING".

These words mean:

! DANGER

You will be killed or seriously injured if you don't follow instructions.



WARNING

You can be killed or seriously injured if you don't follow instructions.

All safety messages will identify the hazard, tell you how to reduce the chance of injury, and tell you what can happen if the instructions are not followed.

! WARNING



TIP OVER HAZARD

Appliance is top heavy and tips easily when not completely installed. Keep doors closed until appliance is completely installed and secured per installation instructions. Use two or more people to move and install appliance. Failure to do so can result in death or serious injury.

Most of the unit's weight is at the top. Extra care is needed when moving the unit to prevent tipping. Use cardboard shipping material or plywood under unit until it is installed in the operating position to protect floor surface.

It is your responsibility to :

- comply with installation specifications and dimensions
- properly install unit
- remove any moldings or decorative panels that prevent the unit from being serviced
- make sure that you have these materials (not provided with your unit), which are necessary for proper installation:
 - 1/4" (6 mm) copper tubing with shutoff valve (All Freezer only)
 - 12 - #8 x 3" (7.6 cm) wood screws (Longer screws may be required.)
 - 1 - Saddle valve (Do not use self-piercing feature of the valve) (All Freezer only)
- assure that floor will support unit, door panels and contents (approximately 1200 pounds [540 kg])
- provide a properly grounded electrical outlet
- assure that location will permit appliance doors to open 90° minimum

BASIC SPECIFICATIONS AND DIMENSIONS

DUAL INSTALLATION - PROFESSIONAL MODELS*

DESCRIPTION	(2) 30" Units	(1) 36" & (1) 30" Unit	(2) 36" Units
Overall Width	60" (152.4 cm)	66" (167.6 cm)	72" (182.9 cm)
Overall Height from Bottom	Min. 82 3/4" (210.2 cm) to Max. 84 1/16" (213.5 cm)		
Overall Depth from Rear	To rear edge of side trim 22 3/16" (56.4 cm) To front of top grille 24 11/16" (62.7 cm) To end of handle bracket 27 1/4" (69.2 cm)		
Cutout Width	59 1/2" (151.1 cm)	65 1/2" (166.4 cm)	71 1/2" (181.6 cm)
Cutout Height	82 7/8" (210.5 cm) min.; 84 1/16" (213.5 cm) max.		
Cutout Depth	24" (61.0 cm) min.		
Electrical Requirements	(2) 115 volt, 60 Hz, 15 amp dedicated circuit; 3-wire cord with grounded 3-prong plug attached to product.		
Maximum Amp Usage	9.9 amps per unit		
Inlet Water Requirements	(All Freezer Only) 1/4" copper tubing inlet waterline; minimum 20 psi; maximum 120 psi		
Overall Interior Dimensions			
•Total Capacity	30" Freezer 15.9 cu. ft. (450 liters)		30" Refrigerator 18.2 cu. ft. (516 liters)
•Total Capacity	36" Freezer 19.1 cu. ft. (541 liters)		36" Refrigerator 22.8 cu. ft. (646 liters)
Approximate Shipping Weight	30" Freezer or Refrigerator 36" Freezer or Refrigerator	425 lbs. (193.2 kg) 500 lbs. (227.3 kg)	

DUAL INSTALLATION - DESIGNER MODELS*

DESCRIPTION	(2) 30" Units	(1) 36" & (1) 30" Unit	(2) 36" Units
Overall Width	60" (152.4 cm)	66" (167.6 cm)	72" (182.9 cm)
Overall Height from Bottom	Min. 82 3/4" (210.2 cm) to Max. 84 1/16" (213.5 cm)		
Overall Depth from Rear	To front edge of side trim 23 13/16" (60.5 cm) To front of top grille 24" (61.0 cm) To end of handle bracket 26" (66.0 cm)		
Cutout Width	60" (152.4 cm)	66" (167.6 cm)	72" (182.9 cm)
Cutout Height	82 7/8" (210.5 cm) min.; 84 1/16" (213.5 cm) max.		
Cutout Depth	24" (61.0 cm) min.		
Electrical Requirements	(2) 115 volt, 60 Hz, 15 amp dedicated circuit; 3-wire cord with grounded 3-prong plug attached to product.		
Maximum Amp Usage	9.9 amps per unit		
Inlet Water Requirements	(All Freezer Only) 1/4" copper tubing inlet waterline; minimum 20 psi; maximum 120 psi		
Overall Interior Dimensions			
•Total Capacity	30" Freezer 15.9 cu. ft. (450 liters)		30" Refrigerator 18.2 cu. ft. (516 liters)
•Total Capacity	36" Freezer 19.1 cu. ft. (541 liters)		36" Refrigerator 22.8 cu. ft. (646 liters)
Approximate Shipping Weight	30" Freezer or Refrigerator 36" Freezer or Refrigerator	425 lbs. (193.2 kg) 500 lbs. (227.3 kg)	

*Requires separate grille kit accessory

BASIC SPECIFICATIONS AND DIMENSIONS - FULL OVERLAY MODELS

DUAL INSTALLATION*

DESCRIPTION	(2) 30" Units	(1) 36" & (1) 30" Unit	(2) 36" Units
Overall Width	60" (152.4 cm)	66" (167.6 cm)	72" (182.9 cm)
Overall Height from Bottom	Min. 82 3/4" (210.2 cm) to Max. 84 1/16" (213.5 cm)		
Overall Depth from Rear	To front edge of side trim 23 13/16" (60.5 cm) To front of top grille 24 3/4" (62.9 cm) To front edge of door trim 24" (61.0 cm)		
Cutout Width	60" (152.4 cm)	66" (167.6 cm)	72" (182.9 cm)
Cutout Height	82 7/8" (210.5 cm) min.; 84 1/16" (213.5 cm) max.		
Cutout Depth	24" (61.0 cm) min.**		
Electrical Requirements	(2) 115 volt, 60 Hz, 15 amp dedicated circuit; 3-wire cord with grounded 3-prong plug attached to product.		
Maximum Amp Usage	9.9 amps per unit		
Inlet Water Requirements	(All Freezer Only) 1/4" copper tubing inlet waterline; minimum 20 psi; maximum 120 psi		
Overall Interior Dimensions			
•Total Capacity	<u>30" Freezer</u> 15.9 cu. ft. (450 liters)	<u>30" Refrigerator</u> 18.2 cu. ft. (516 liters)	
•Total Capacity	<u>36" Freezer</u> 19.1 cu. ft. (541 liters)	<u>36" Refrigerator</u> 22.8 cu. ft. (646 liters)	
Approximate Shipping Weight	30" Freezer or Refrigerator 36" Freezer or Refrigerator	425 lbs. (193.2 kg) 500 lbs. (227.3 kg)	

*Requires separate grille kit accessory.

**Full overlay models fit flush in 25" (63.5 cm) deep cabinet openings. They can be installed in standard 24" (61.0 cm) deep openings. The door faces and top grille will protrude 3/4" (1.9 cm) into the room.

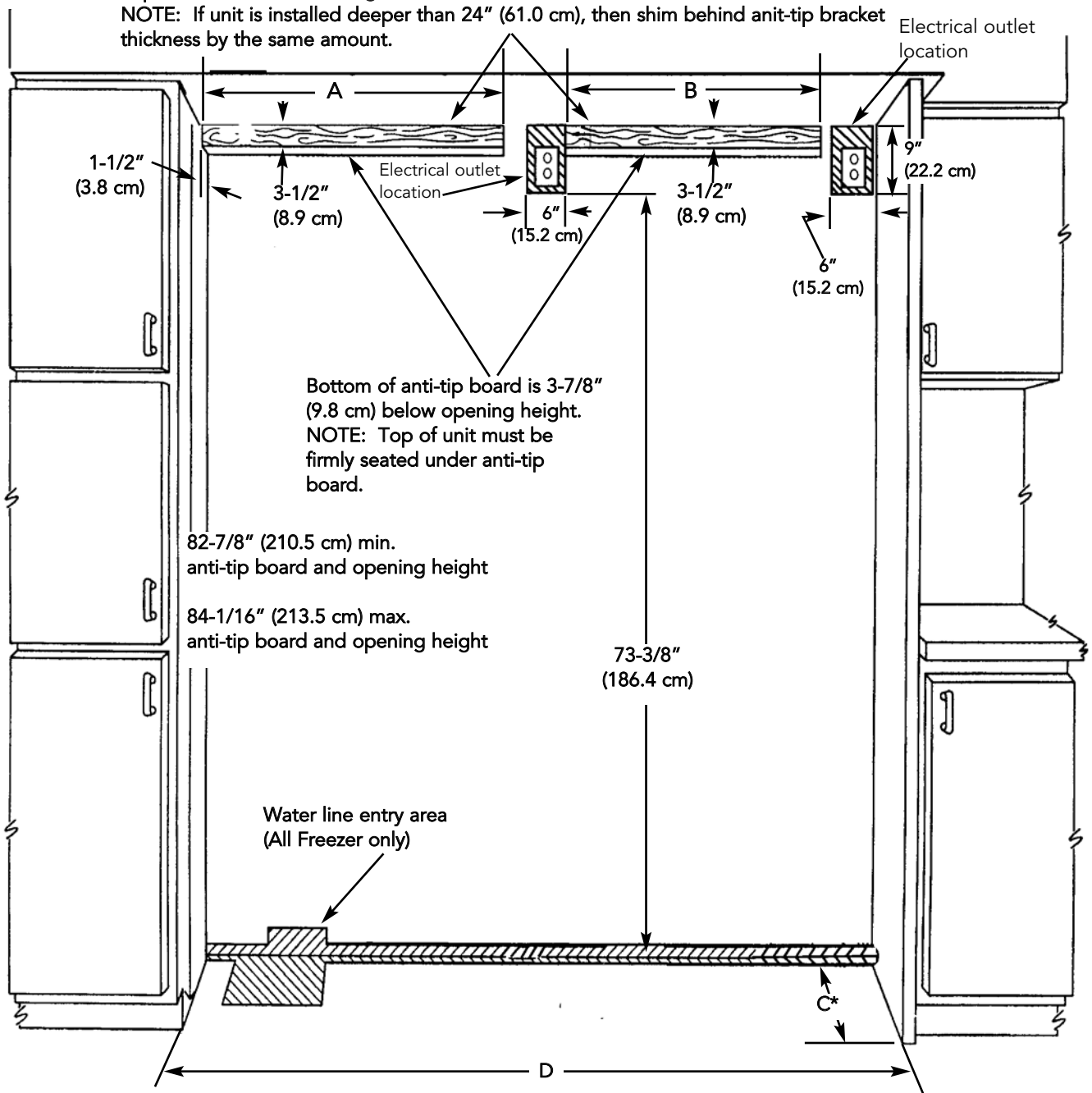
SITE PREPARATIONS AND CONSIDERATIONS

DESIGNER/FULL OVERLAY MODEL ALL REFRIGERATOR/ALL FREEZER

CABINET OPENING DIMENSIONS

(1 per unit) 2" x 4" mounting boards (1-1/2" [3.8 cm] x 3-1/2" [8.9 cm])

NOTE: If unit is installed deeper than 24" (61.0 cm), then shim behind anti-tip bracket thickness by the same amount.



*Full Overlay models fit flush in 25" (63.5 cm) deep cabinet openings. They can be installed in standard 24" (61.0 cm) deep openings, however the door faces and top grille will protrude 3/4" (1.9 cm) into the room.

Cutout opening shown with All Freezer model on left. Reverse water line entry if All Freezer model is on right. Dimensions shown for 36" AF/AR model on the right. Reverse mounting boards if units are installed opposite.

	A	B	C*	D
(2) 30" W. AF/AR Designer	23" (58.4 cm)	23" (58.4 cm)	24" (61.0 cm)	60" (152.4 cm)
(1) 36" W. AF/AR & (1) 30" W. AF/AR Designer	29" (73.7 cm)	23" (58.4 cm)	24" (61.0 cm)	66" (167.6 cm)
(2) 36" W. AF/AR Designer	29" (73.7 cm)	29" (73.7 cm)	24" (61.0 cm)	72" (182.9 cm)
(2) 30" W. AF/AR Full Overlay	23" (58.4 cm)	23" (58.4 cm)	25" (63.5 cm)	60" (152.4 cm)
(1) 36" W. AF/AR & (1) 30" W. AF/AR Full Overlay	29" (73.7 cm)	23" (58.4 cm)	25" (63.5 cm)	66" (167.6 cm)
(2) 36" W. AF/AR Full Overlay	29" (73.7 cm)	29" (73.7 cm)	25" (63.5 cm)	72" (182.9 cm)

GRILLE ASSEMBLY/INSTALLATION PROFESSIONAL MODEL

Before starting, make sure grille assemblies have been removed from the individual unit.

1. Remove full length center grille blade by lifting up and pulling forward. **SAVE** for later.
2. Confirm cabinet side trim has been replaced on the non-hinge side. **NOTE:** New cabinet side trim for non-hinge side included in this grille kit.
2. Install units into cabinet per unit installation instructions.
4. Add brackets to predrilled holes on full length grille as required. Insert full length grille into units.

REAR VIEW OF GRILLE ASSEMBLY

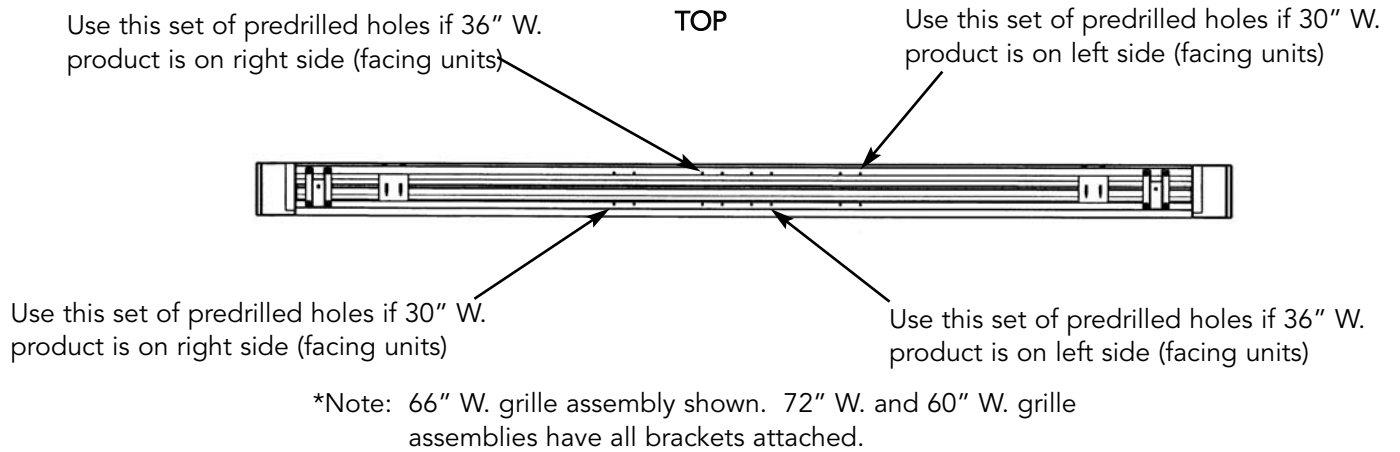
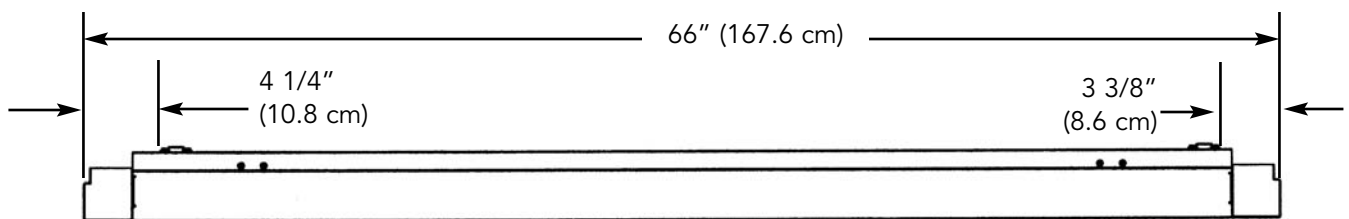


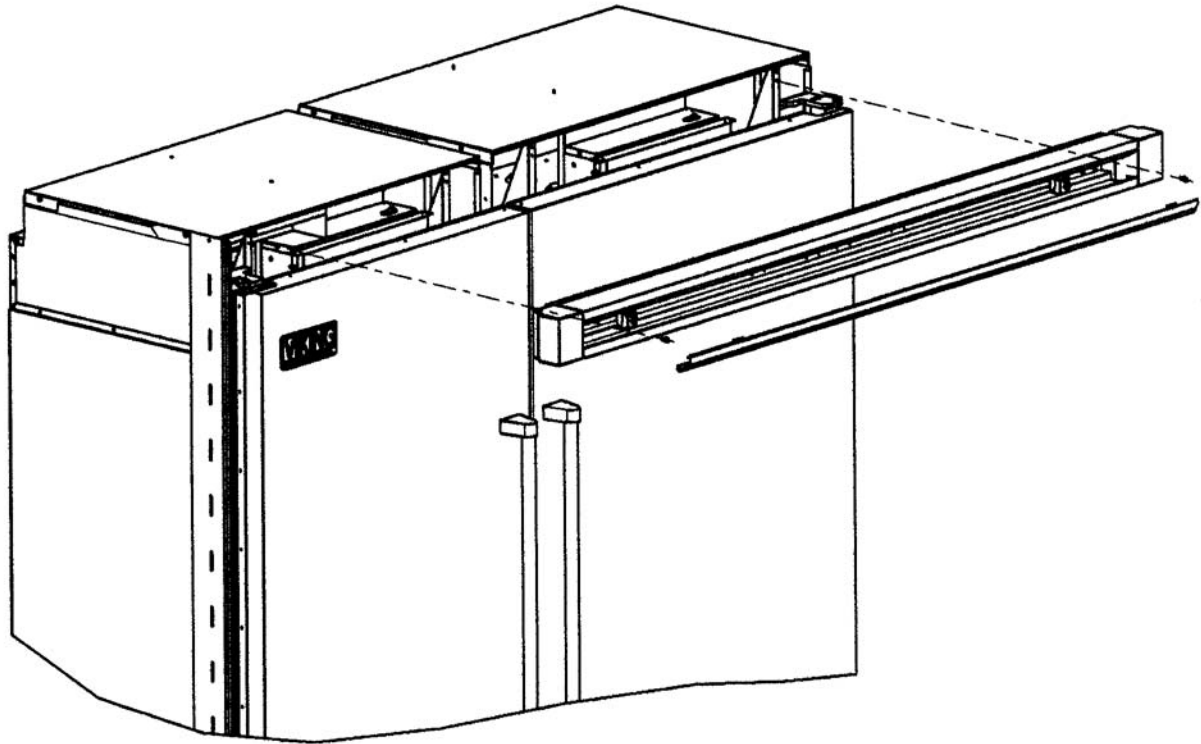
FIGURE 1

TOP VIEW OF GRILLE ASSEMBLY



*NOTE : Same as above (see rear view note).

GRILLE ASSEMBLY - PROFESSIONAL MODEL



GRILLE ASSEMBLY/INSTALLATION DESIGNER MODEL

Before starting, make sure grille assemblies have been removed from the individual unit.

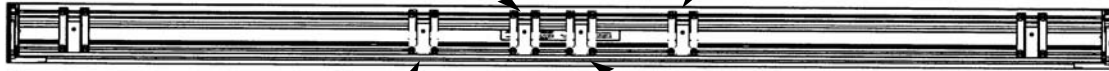
1. Remove full length center grille blade by lifting up and pulling forward. **SAVE** for later.
2. Confirm cabinet side trim has been replaced on the non-hinge side. **NOTE:** New cabinet side trim for non-hinge side included in this grille kit.
3. Install units into cabinet per unit installation instructions.
4. Add brackets according to dimensions and notes shown below. Insert full length grille into units.

REAR VIEW OF GRILLE ASSEMBLY

TOP

Use this bracket if 36" W. product is on right side (facing unit), otherwise remove.

Use this bracket if 30" W. product is on left side (facing unit), otherwise remove.



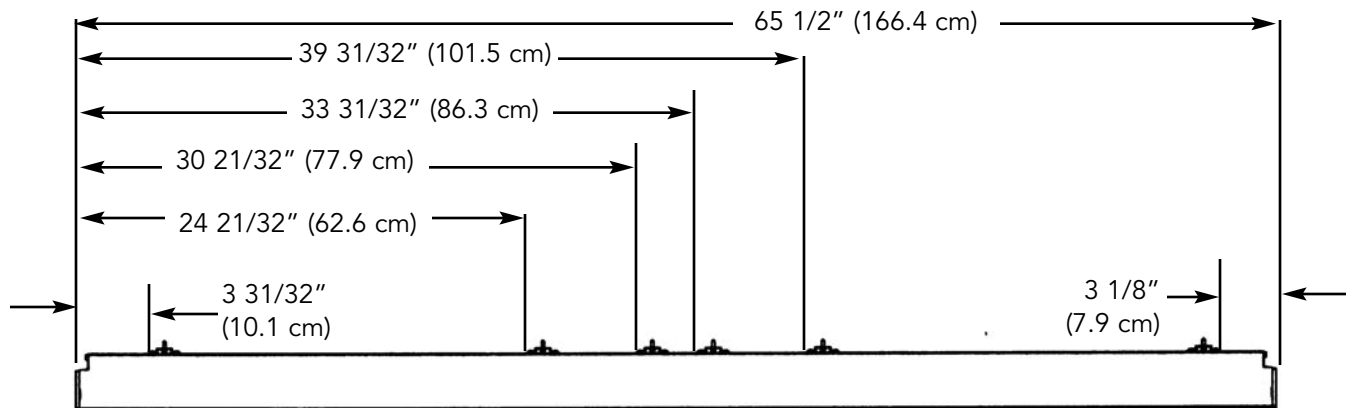
Use this bracket if 30" W. product is on right side (facing unit), otherwise remove.

Use this bracket if 36" W. product is on left side (facing unit), otherwise remove.

*NOTE: 66" W. grille assembly shown. Depending on unit configuration, two brackets should be removed and discarded. The 72" W. and 60" W. grille assemblies have all four (4) brackets mounted in the proper location.

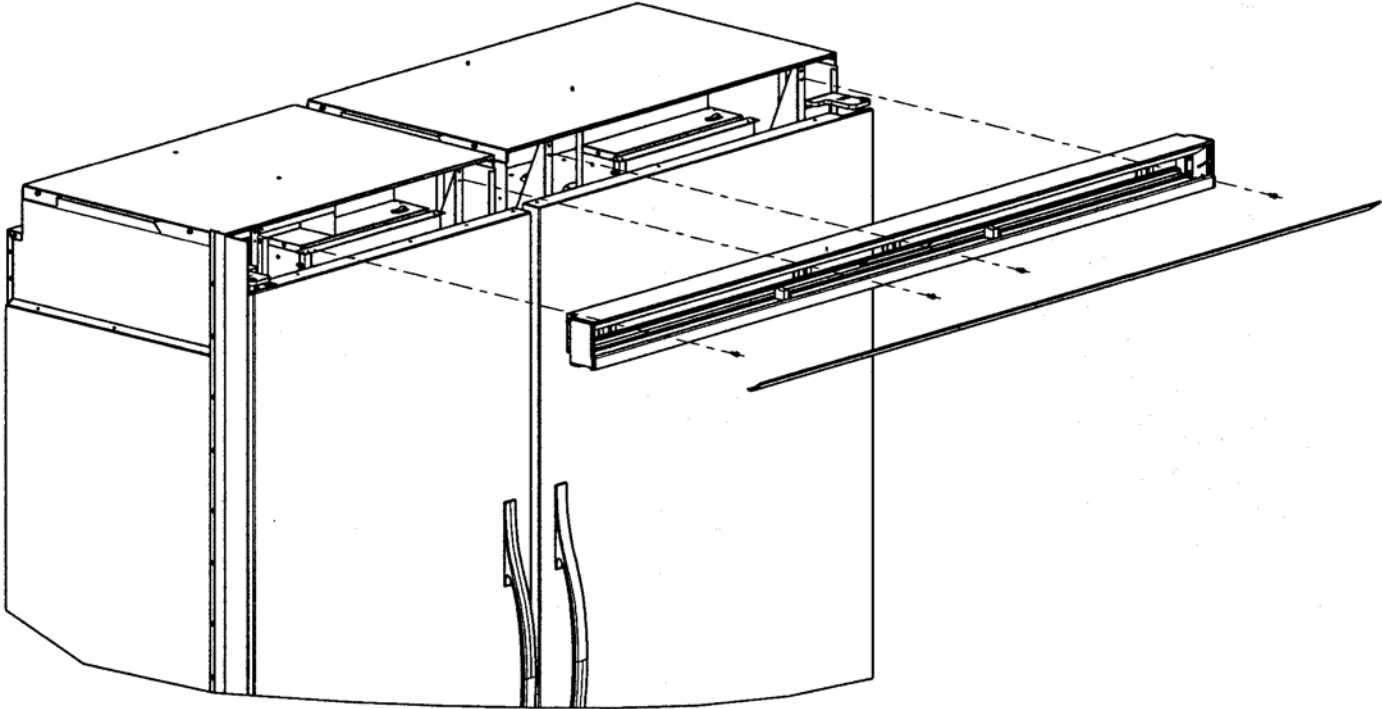
FIGURE 2

TOP VIEW OF GRILLE ASSEMBLY



*NOTE : Same as above (see rear view note).

GRILLE ASSEMBLY - DESIGNER MODEL



GRILLE ASSEMBLY/INSTALLATION

FULL OVERLAY MODEL

Before starting, make sure grille spacers have been removed from the individual unit and grille assemblies.

1. Using screws from individual units, attach grille spacers to full length grille assembly as shown in the top view of grille assembly.
2. Remove full length center grille blade by lifting up and pulling forward. **SAVE** for later.
3. Confirm cabinet side trim has been replaced on the non-hinge side. **NOTE:** New cabinet side trim for non-hinge side included in this grille kit.
4. Install units into cabinet per unit installation instructions.
5. Insert full length grille into units.

REAR VIEW OF
GRILLE ASSEMBLY

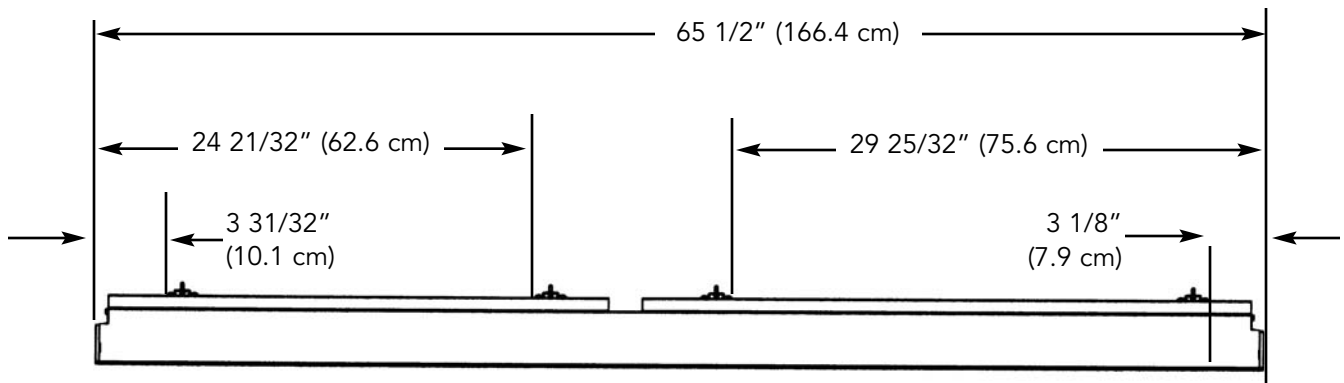
TOP



NOTE: 66" W. grille assembly shown.

FIGURE 3

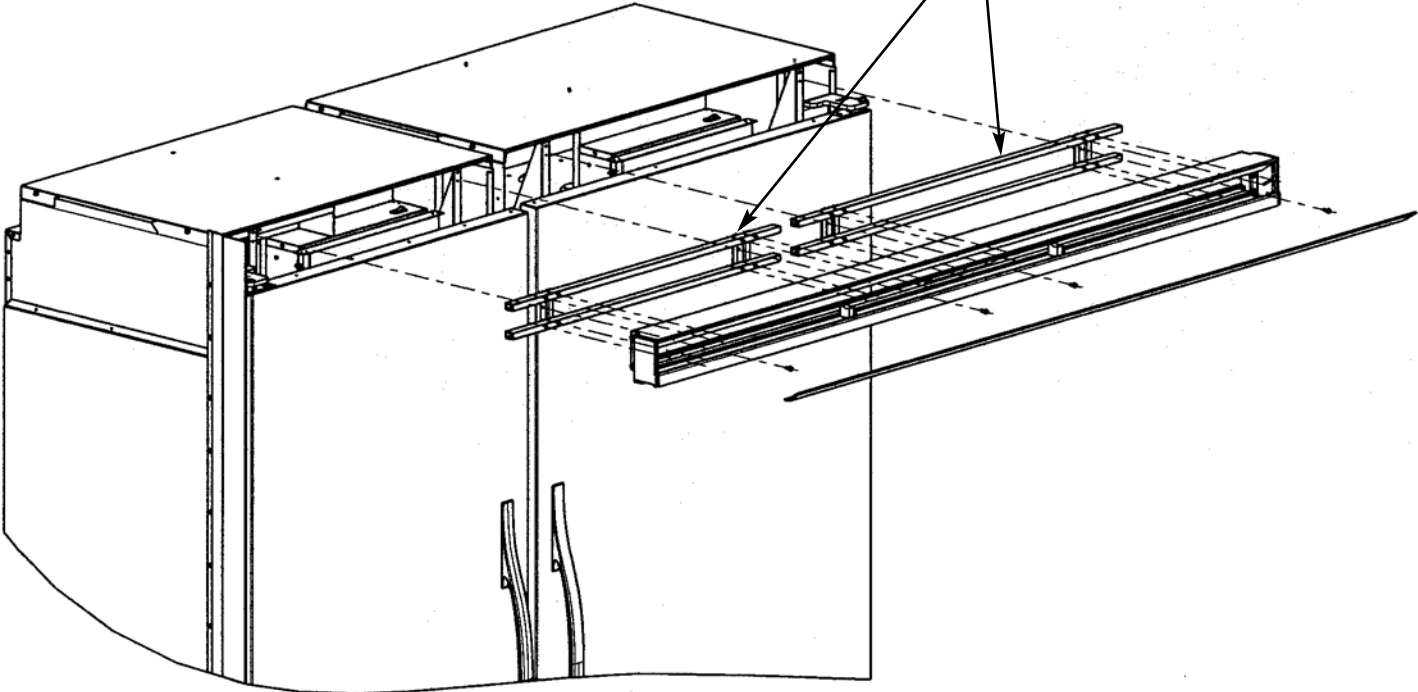
TOP VIEW OF GRILLE ASSEMBLY



NOTE: 66" W. grille assembly shown

GRILLE ASSEMBLY - FULL OVERLAY MODEL

Grille spacers



VIKING

111 Front Street • Greenwood, Mississippi 38930 USA • (662) 455-1200

Specifications subject to change without notice

For more product information, call 1-888-VIKING1 (845-4641), or visit our web site at

<http://www.vikingrange.com>

F20339

(PS1204VR)