



Design Guide

REVISED 10/2023





Features and specifications are subject to change at any time without notice. Visit wolfappliance.com/specs for the most up-to-date information.

Throughout this guide, dimensions may vary by $\pm \frac{1}{8}$ " (3). Dimensions in parentheses are millimeters unless otherwise specified.

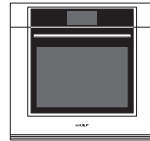
Contents

| | |
|------------|-----------------------------|
| 4 | M Series Ovens |
| 16 | E Series Ovens |
| 30 | Convection Steam Ovens |
| 38 | Speed Ovens |
| 44 | Microwave Ovens |
| 58 | Warming Drawers |
| 64 | Induction/Electric Cooktops |
| 72 | Gas Cooktops |
| 78 | Module Cooktops |
| 88 | Coffee System |
| 94 | Cup Warming Drawer |
| 98 | Vacuum Seal Drawer |
| 104 | Dual Fuel Ranges |
| 108 | Gas Ranges |
| 112 | Induction Ranges |
| 116 | Sealed Burner Rangetops |
| 120 | Outdoor Grills/Modules |
| 132 | Cooktop Ventilation Hoods |
| 142 | Downdraft Ventilation |
| 148 | Pro Ventilation Hoods |
| 158 | Wolf Warranty |

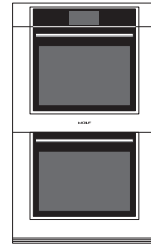
M Series Built-In Ovens

MODELS

TRANSITIONAL

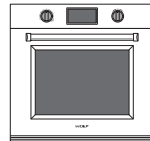


SO3050TM/S/TH

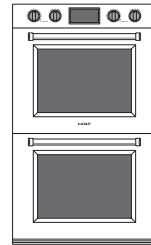


DO3050TM/S/TH

PROFESSIONAL

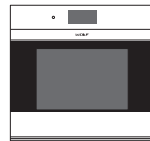


SO3050PM/S/PH

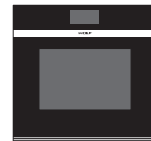


DO3050PM/S/PH

CONTEMPORARY



SO3050CM/S



SO3050CM/B



DO3050CM/S

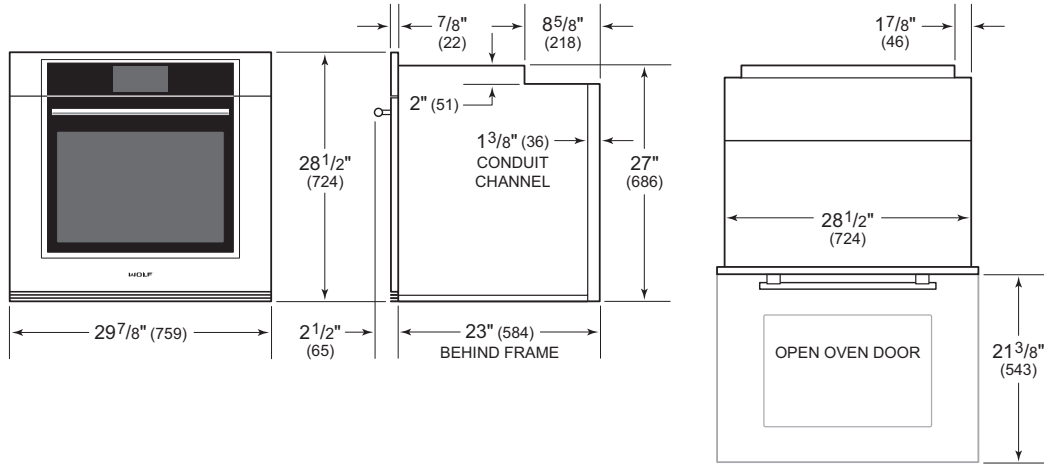


DO3050CM/B

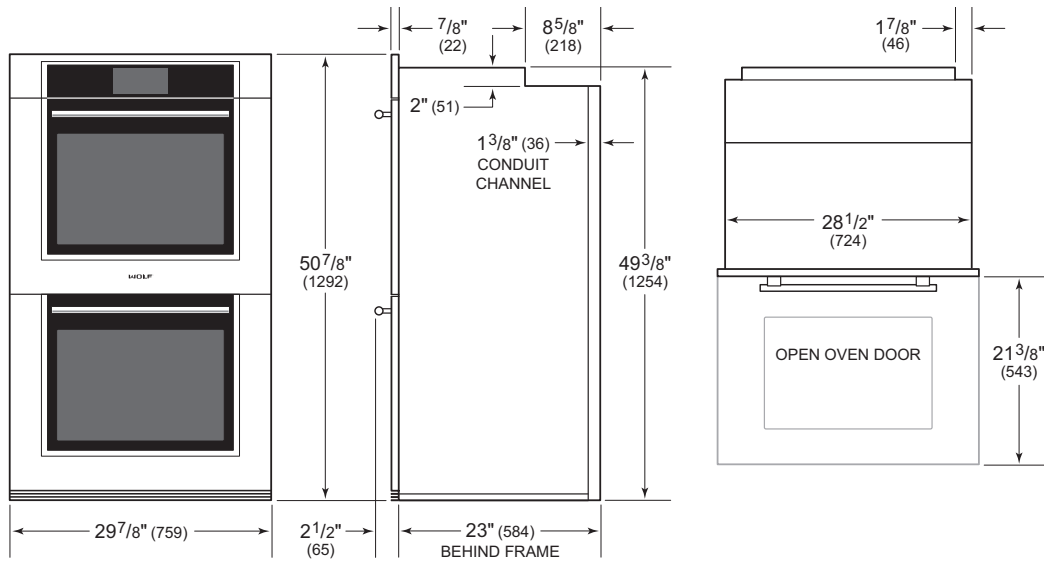


30" M Series Built-In Ovens

TRANSITIONAL SINGLE OVEN



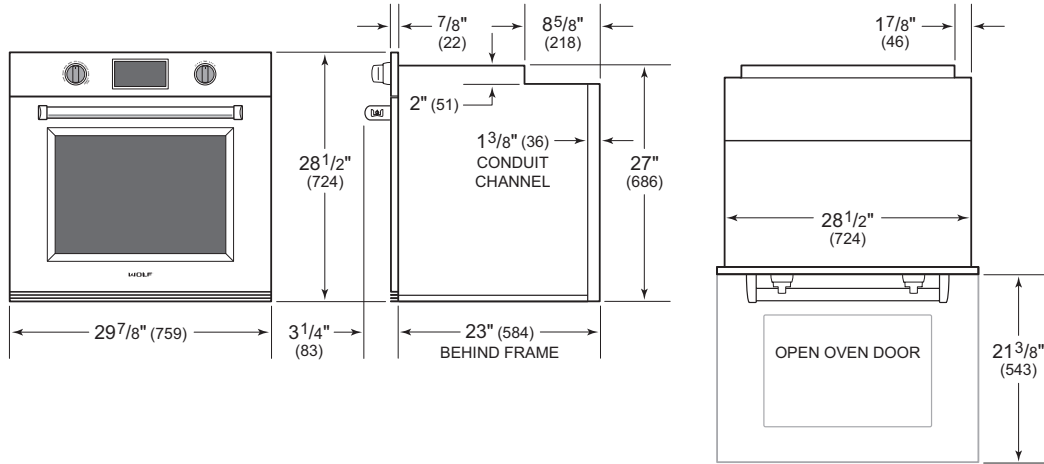
TRANSITIONAL DOUBLE OVEN



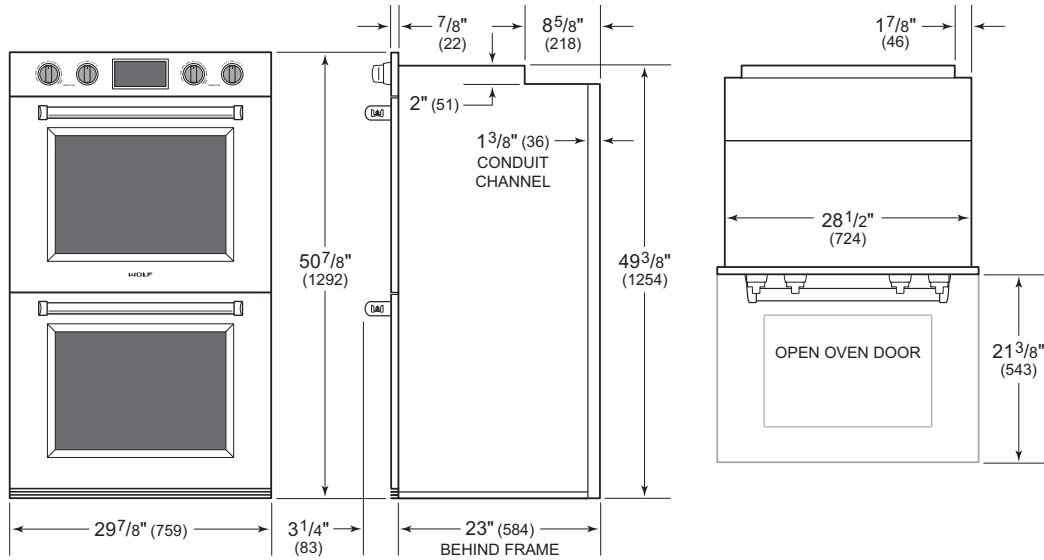
M Series Ovens

30" M Series Built-In Ovens

PROFESSIONAL SINGLE OVEN

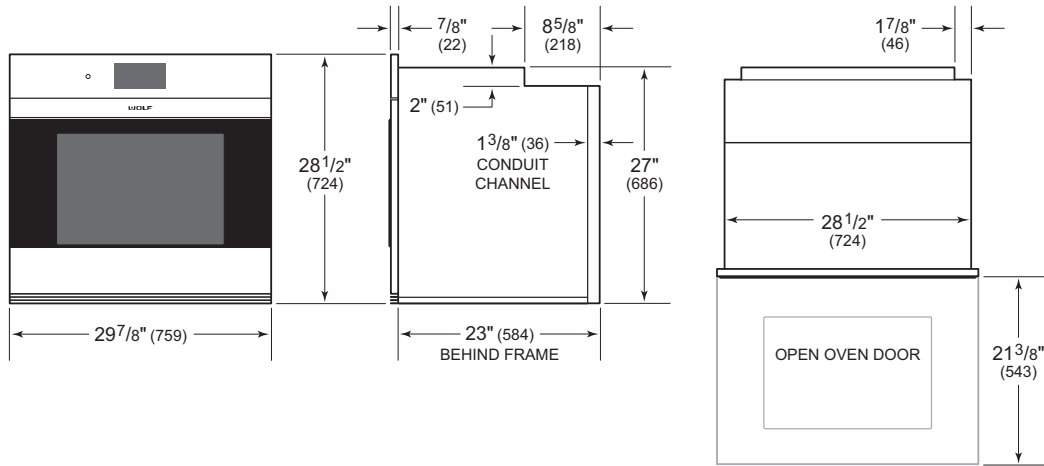


PROFESSIONAL DOUBLE OVEN

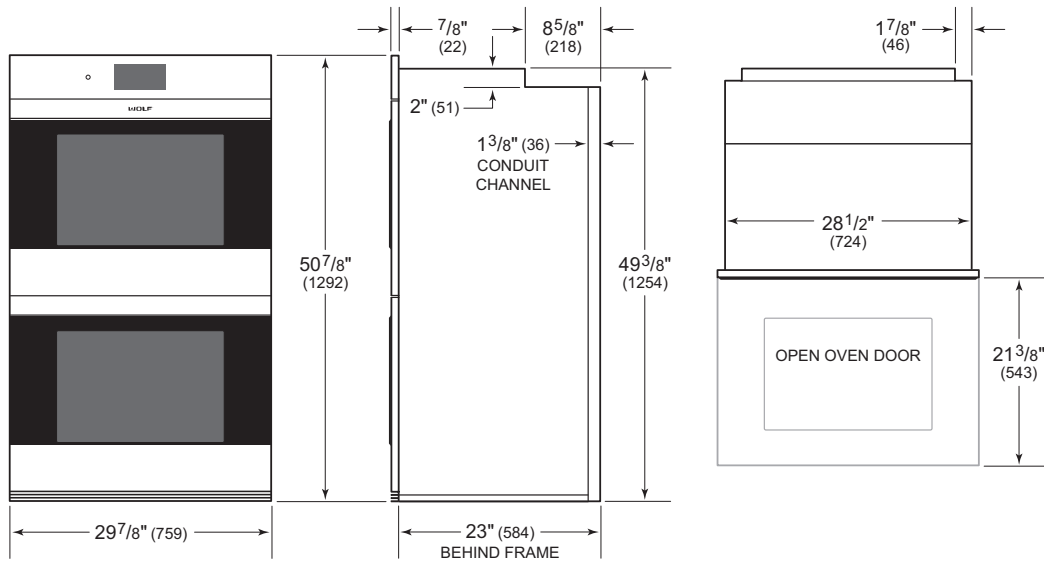


30" M Series Built-In Ovens

CONTEMPORARY STAINLESS STEEL SINGLE OVEN

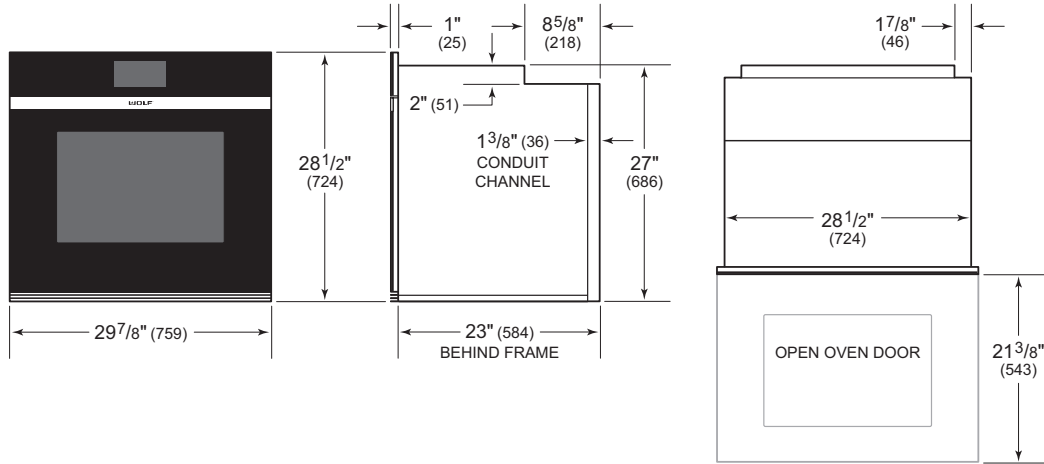


CONTEMPORARY STAINLESS STEEL DOUBLE OVEN

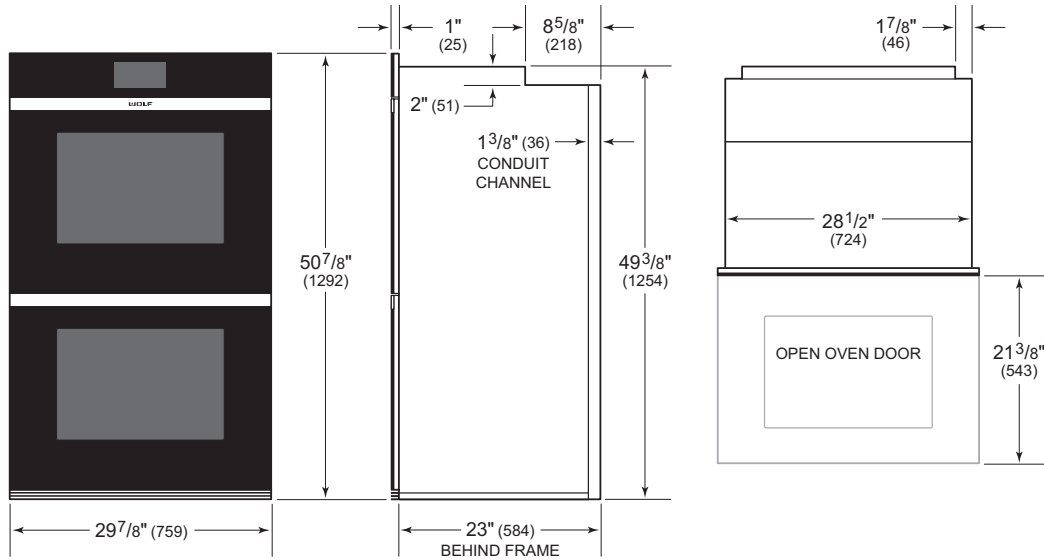


30" M Series Built-In Ovens

CONTEMPORARY BLACK GLASS SINGLE OVEN



CONTEMPORARY BLACK GLASS DOUBLE OVEN



Planning Information

The M Series Oven can be installed in a standard or flush inset application. If a cooktop is installed above an oven, a minimum of ¼" (6) is required between the units. The location of the electrical supply within the oven opening may require additional cabinet depth.

Finish the edges of the opening. They may be visible when the door is open.

For standard installations, the face trim will overlap stiles and rails. Refer to the chart below.

For flush inset installations, a minimum ⅛" (3) reveal is required on all sides. To ensure consistent reveals, each corner of the opening must be exactly 90°.

INSTALLATION REQUIREMENTS

| BASE SUPPORT | MIN |
|--------------|-----------------|
| Single Oven | 250 lb (115 kg) |
| Double Oven | 400 lb (181 kg) |
| TRIM OVERLAP | |
| Top | 1" (25) |
| Bottom | 0" (0) |
| Sides | 1¼" (18) |

DUAL INSTALLATION

Two M Series Single Ovens can be installed side by side in a standard or flush inset application. A dual installation kit is required. To maintain appropriate airflow, the ovens must be installed into one opening. Any cosmetic or structural material placed between the ovens will impede airflow and is not recommended. Refer to the illustrations on pages 14–15.

The dual installation kit is available through an authorized Wolf dealer. For local dealer information, visit the find a showroom section of our website, wolfappliance.com.

ELECTRICAL REQUIREMENTS

Installation must comply with all applicable electrical codes. Locate the electrical supply flush with the back wall and within the shaded area shown in the illustrations on the following pages. For ease of installation, the electrical supply for the oven can be placed in an adjacent cabinet within reach of the conduit.

Performance may be compromised if the electrical supply is less than 240 volts.

The oven is supplied with a conduit consisting of two insulated hot lead conductors and a bare ground conductor. The wiring diagram covering the control circuit is provided with the oven.

ELECTRICAL REQUIREMENTS—SINGLE OVEN

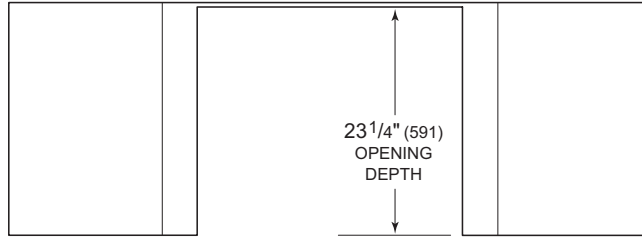
| | |
|--------------------|------------------------------|
| Electrical Supply | grounded, 240/208 VAC, 60 Hz |
| Service | 30 amp dedicated circuit |
| Conduit | 4' (1.2 m) |
| Total Amps | 22 |
| Max Connected Load | 5.4 kW |

ELECTRICAL REQUIREMENTS—DOUBLE OVEN

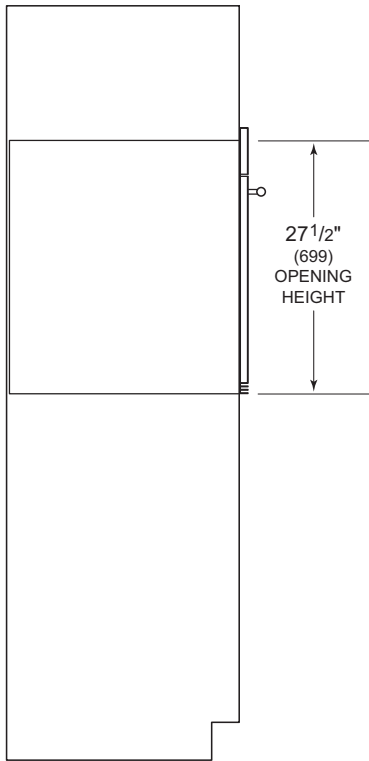
| | |
|--------------------|------------------------------|
| Electrical Supply | grounded, 240/208 VAC, 60 Hz |
| Service | 50 amp dedicated circuit |
| Conduit | 5' (1.5 m) |
| Total Amps | 45 |
| Max Connected Load | 10.8 kW |

30" M Series Single Oven

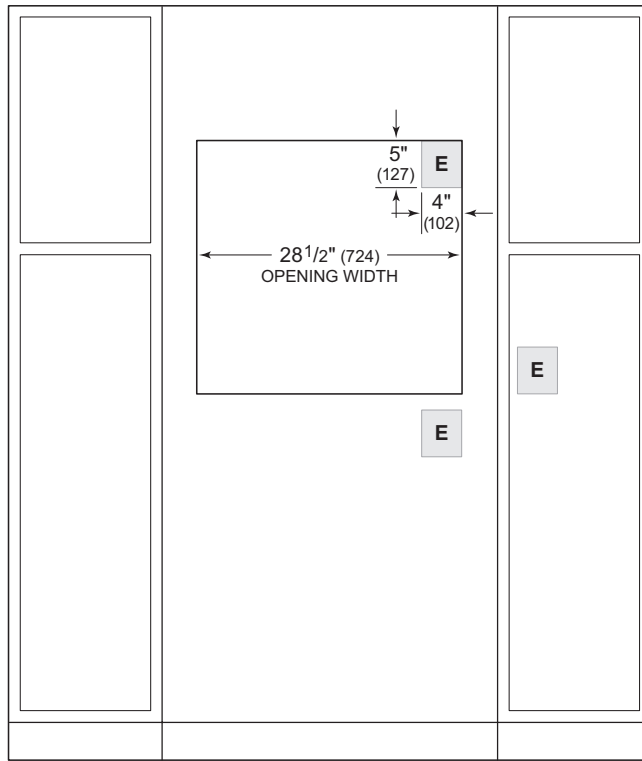
STANDARD INSTALLATION



TOP VIEW



SIDE VIEW

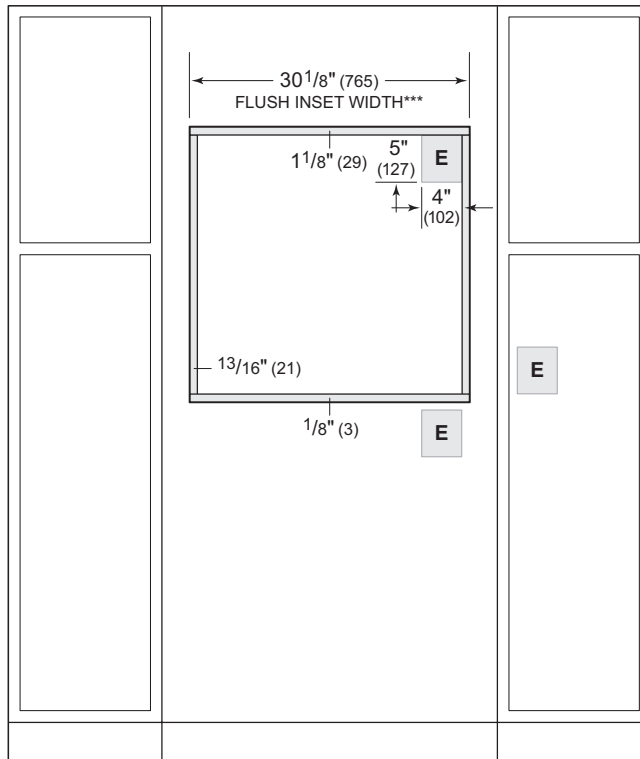
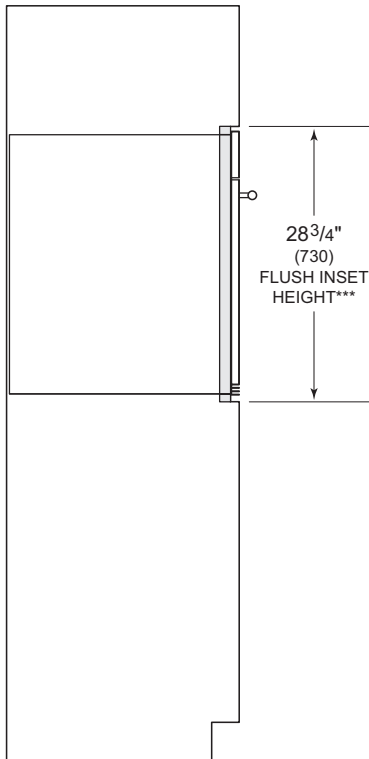
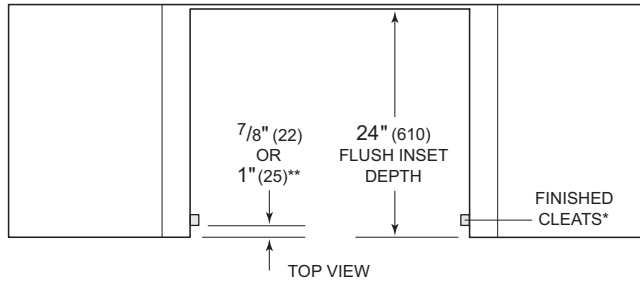


FRONT VIEW

NOTE: Location of electrical supply within opening may require additional cabinet depth.

30" M Series Single Oven

FLUSH INSET INSTALLATION



*1" (25) minimum depth. Shaded areas will be visible and should be finished to match cabinetry.

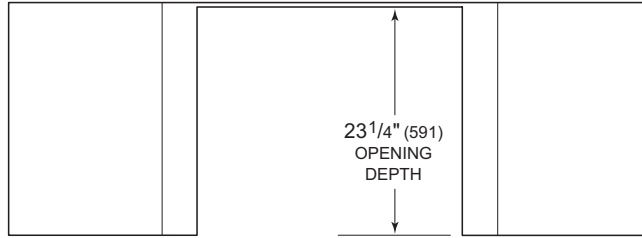
**7/8" (22) for transitional, professional and contemporary stainless steel models and 1" (25) for contemporary black glass model.

***Dimension provides minimum reveals.

NOTE: Location of electrical supply within opening may require additional cabinet depth.

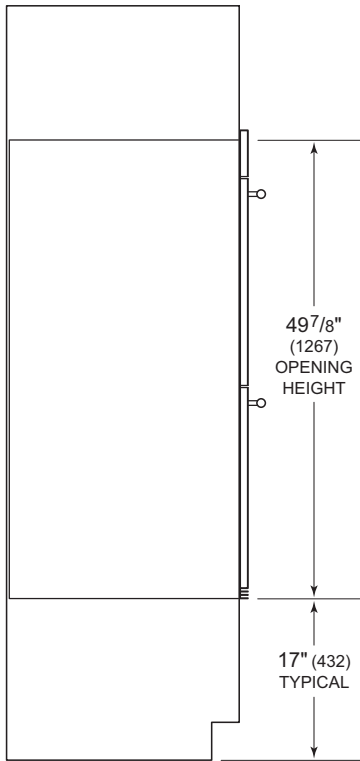
30" M Series Double Oven

STANDARD INSTALLATION



23¹/₄" (591)
OPENING
DEPTH

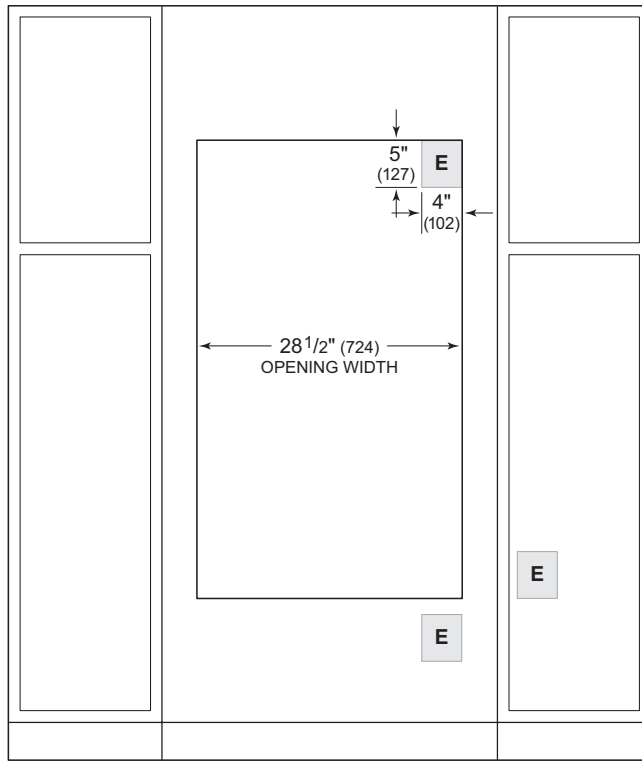
TOP VIEW



49⁷/₈" (1267)
OPENING
HEIGHT

17" (432)
TYPICAL

SIDE VIEW



5" (127) E
4" (102)

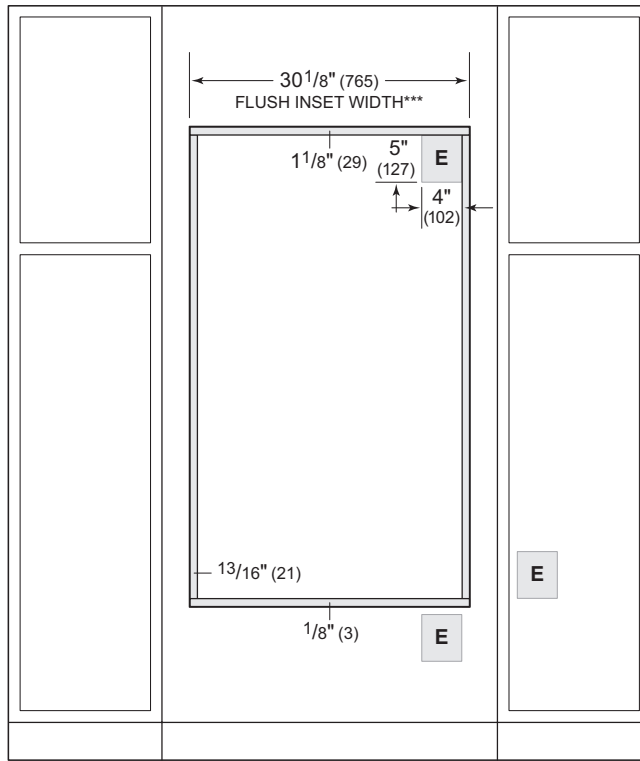
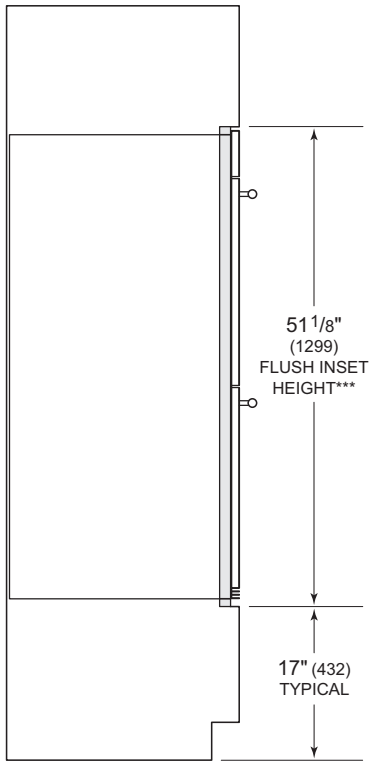
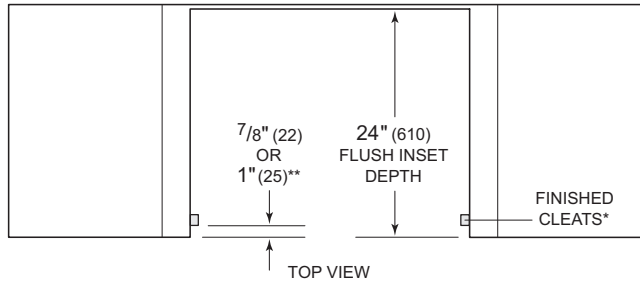
28¹/₂" (724)
OPENING
WIDTH

FRONT VIEW

NOTE: Location of electrical supply within opening may require additional cabinet depth.

30" M Series Double Oven

FLUSH INSET INSTALLATION



SIDE VIEW

FRONT VIEW

*1" (25) minimum depth. Shaded areas will be visible and should be finished to match cabinetry.

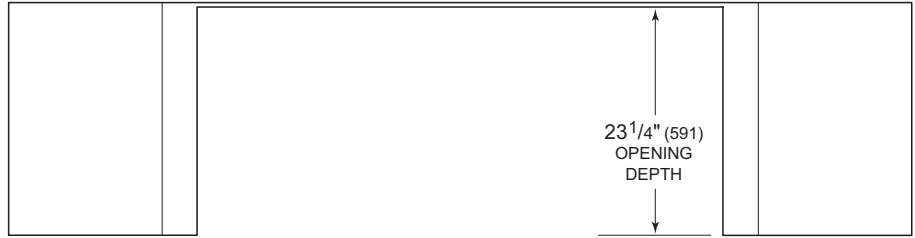
**7/8" (22) for transitional, professional and contemporary stainless steel models and 1" (25) for contemporary black glass model.

***Dimension provides minimum reveals.

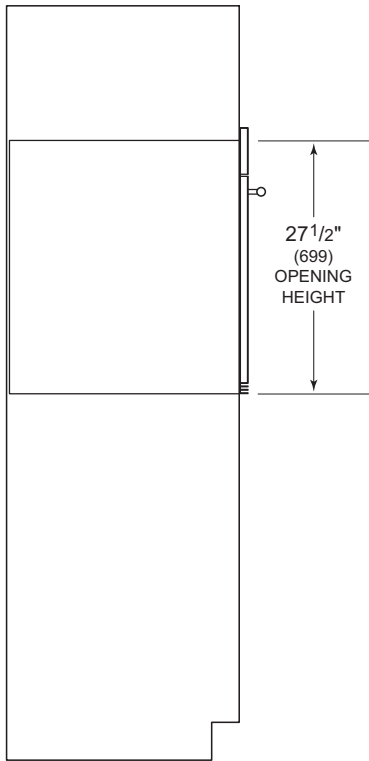
NOTE: Location of electrical supply within opening may require additional cabinet depth.

30" M Series Single Oven

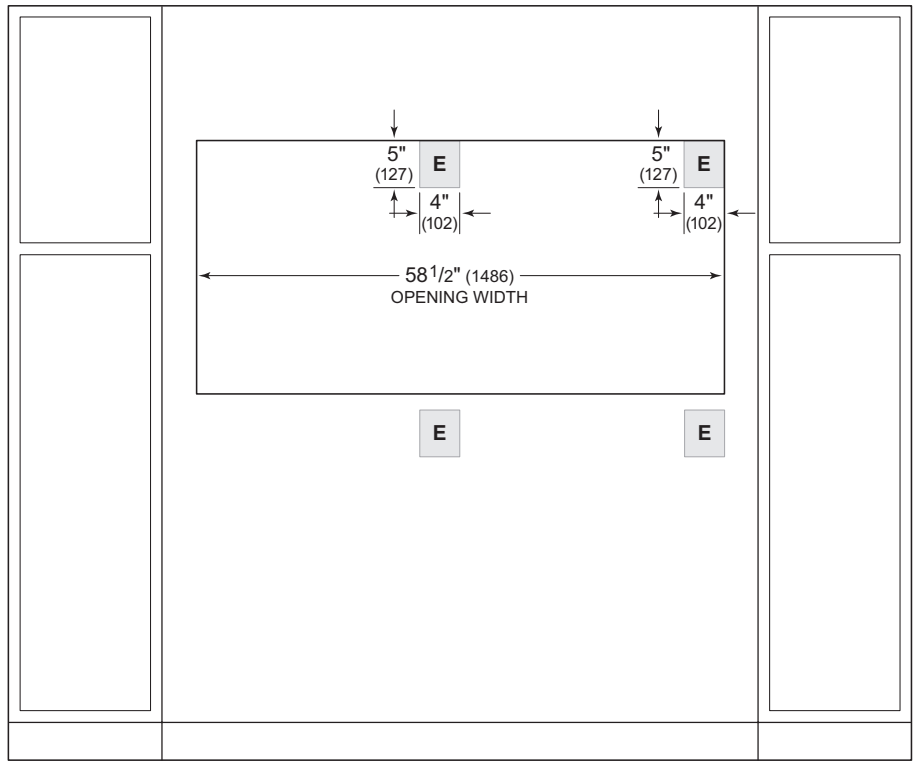
DUAL STANDARD INSTALLATION



TOP VIEW



SIDE VIEW

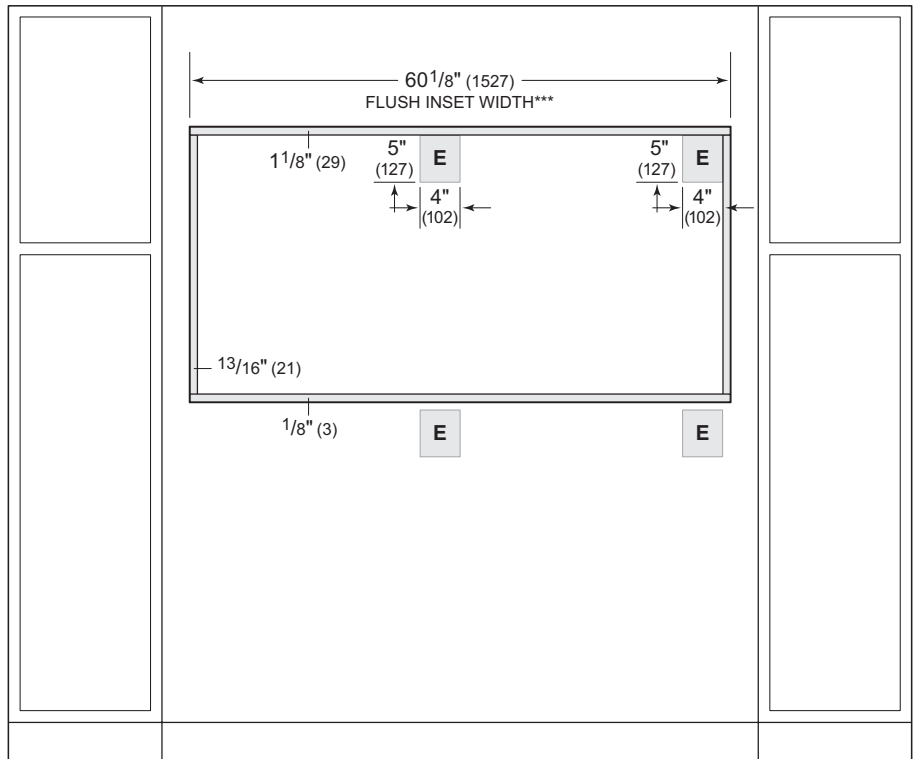
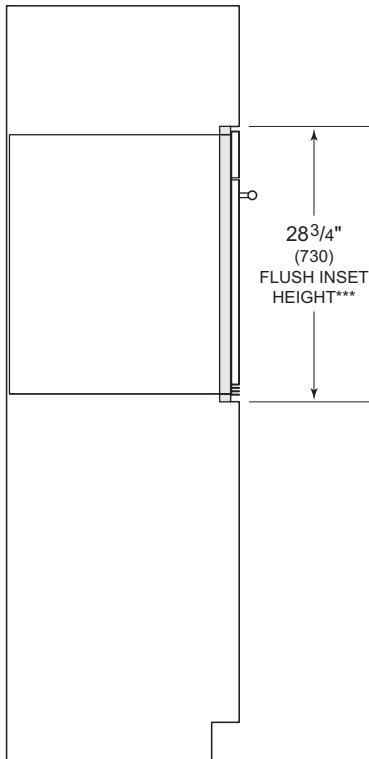


FRONT VIEW

NOTE: Location of electrical supply within opening may require additional cabinet depth. A dual installation kit is required for this installation.

30" M Series Single Oven

DUAL FLUSH INSET INSTALLATION



*1" (25) minimum depth. Shaded areas will be visible and should be finished to match cabinetry.

**7/8" (22) for transitional, professional and contemporary stainless steel models and 1" (25) for contemporary black glass model.

***Dimension provides minimum reveals.

NOTE: Location of electrical supply within opening may require additional cabinet depth. A dual installation kit is required for this installation.

E Series Built-In Ovens

MODELS

TRANSITIONAL



SO24TE/S/TH



SO3050TE/S/TH

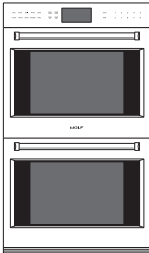


DO3050TE/S/TH

PROFESSIONAL



SO3050PE/S/PH

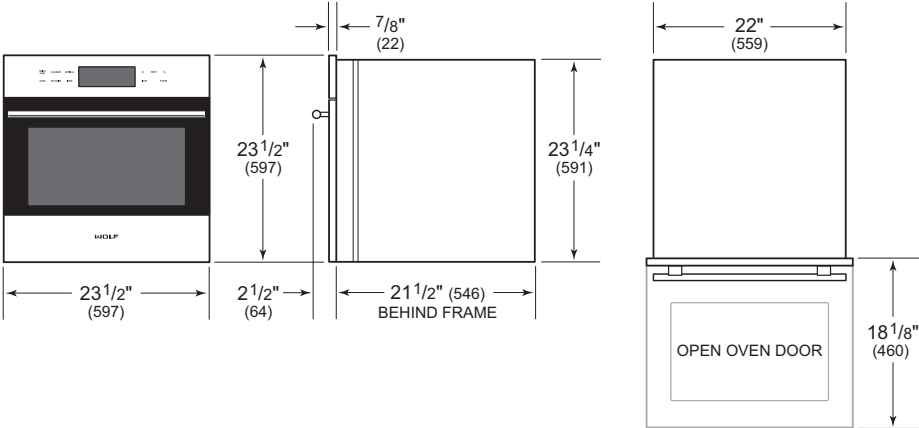


DO3050PE/S/PH



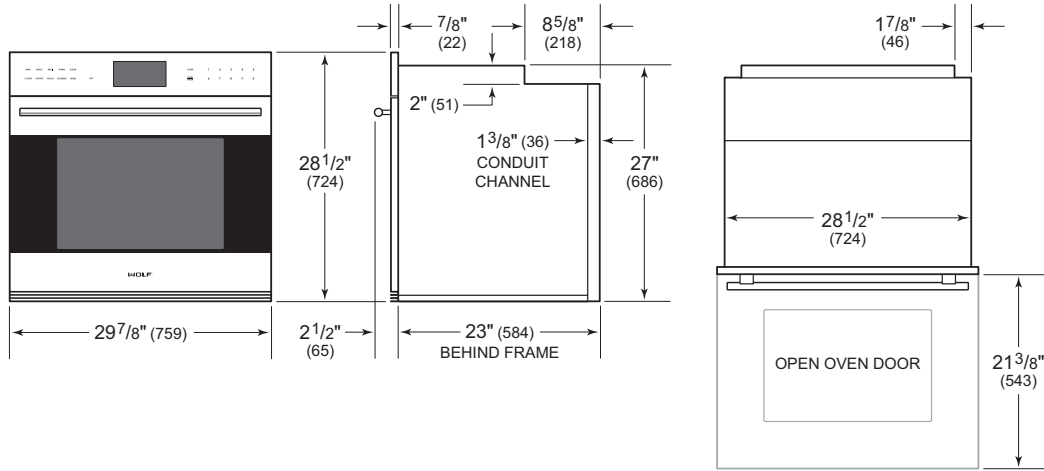
24" E Series Built-In Oven

TRANSITIONAL SINGLE OVEN

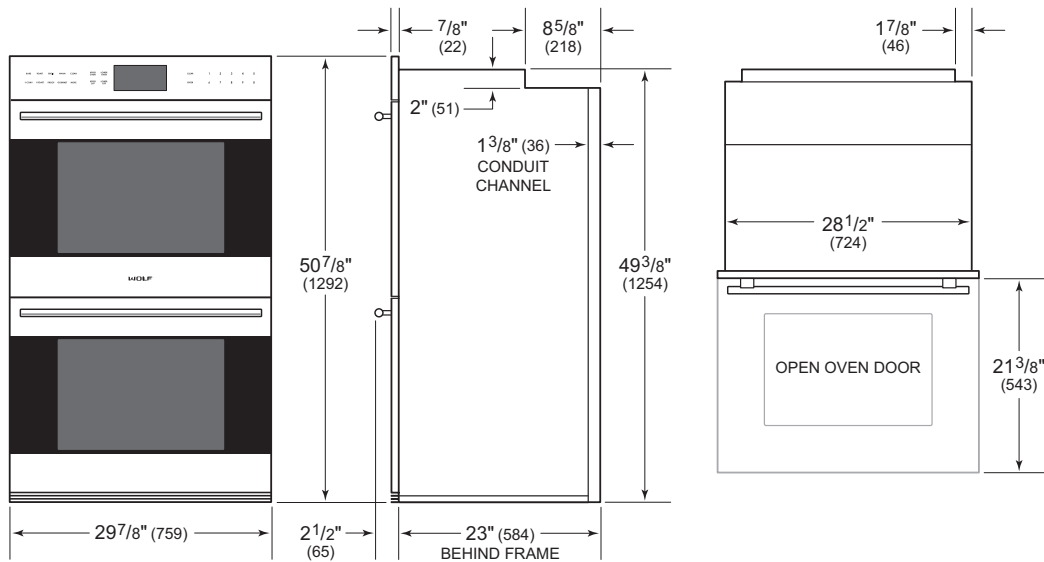


30" E Series Built-In Ovens

TRANSITIONAL SINGLE OVEN

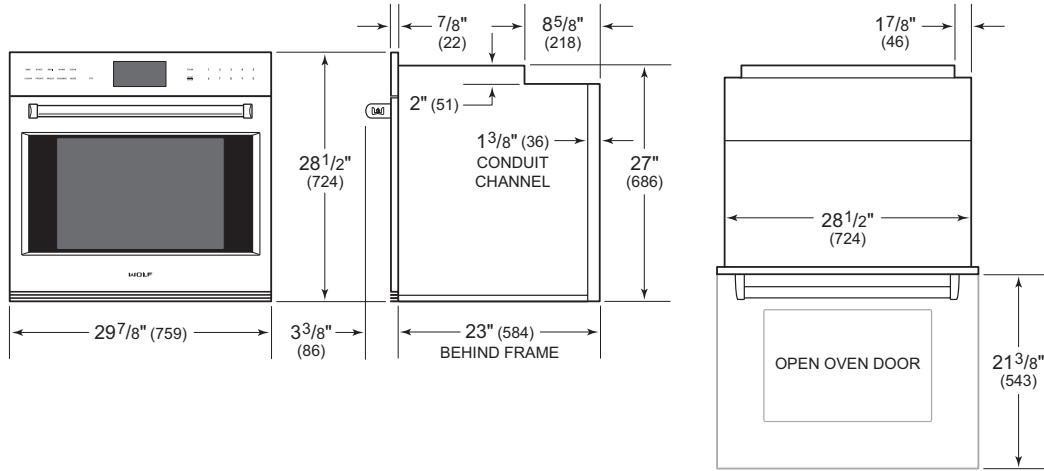


TRANSITIONAL DOUBLE OVEN

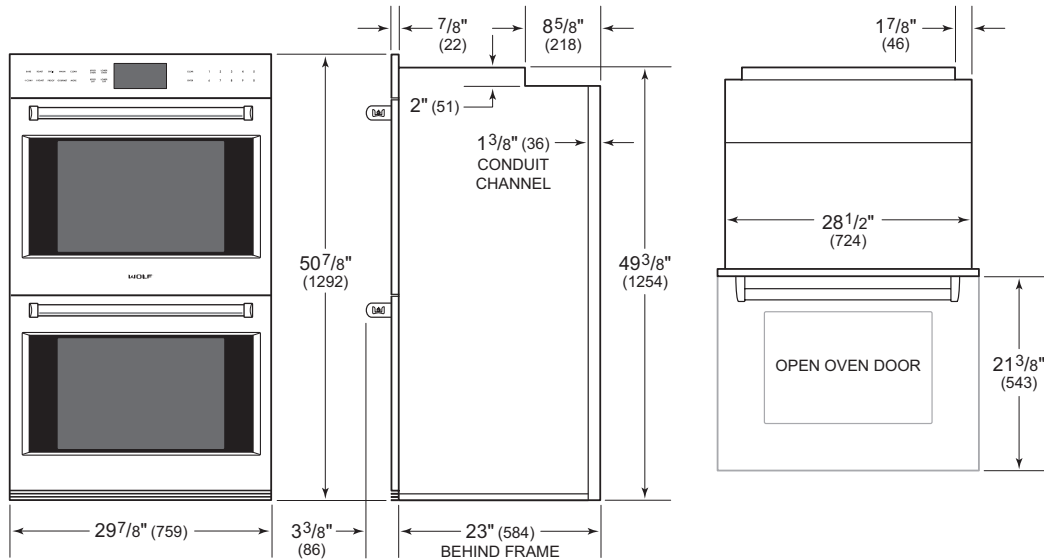


30" E Series Built-In Ovens

PROFESSIONAL SINGLE OVEN



PROFESSIONAL DOUBLE OVEN



Planning Information

The E Series Oven can be installed in a standard or flush inset application. If a cooktop is installed above an oven, a minimum of 1/4" (6) is required between the units. The location of the electrical supply within the oven opening may require additional cabinet depth.

Finish the edges of the opening. They may be visible when the door is open.

For standard installations, the face trim overlaps stiles and rails. Refer to the chart below.

For flush inset installations, a minimum 1/8" (3) reveal is required on all sides. To ensure consistent reveals, each corner of the opening must be exactly 90°.

DUAL INSTALLATION

Two 30" E Series Single Ovens can be installed side by side in a standard or flush inset application. A dual installation kit is required. To maintain appropriate airflow, the ovens must be installed into one opening. Any cosmetic or structural material placed between the ovens will impede airflow and is not recommended. Refer to the illustrations on the following pages.

The dual installation kit is available through an authorized Wolf dealer. For local dealer information, visit the find a showroom section of our website, wolfappliance.com.

INSTALLATION REQUIREMENTS

| BASE SUPPORT | MIN | |
|---------------------|-----------------|--|
| 24" Oven | 150 lb (68 kg) | |
| 30" Single Oven | 250 lb (113 kg) | |
| 30" Double Oven | 400 lb (181 kg) | |

| TRIM OVERLAP | 24" OVEN | 30" OVEN |
|---------------------|-----------------|-----------------|
| Top | 1/4" (6) | 1" (25) |
| Bottom | 0" (0) | 0" (0) |
| Sides | 1 1/16" (17) | 1 1/16" (17) |

Electrical Requirements

24" OVEN

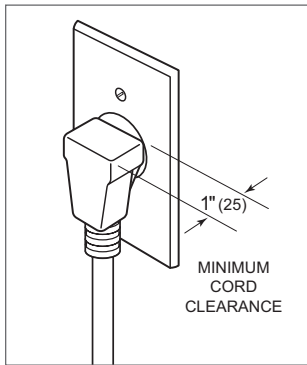
Installation must comply with all applicable electrical codes.

Locate the electrical supply as shown in the illustrations on the following pages. A separate circuit servicing only this appliance is required. A ground fault circuit interrupter (GFCI) is not recommended and may cause interruption of operation. Refer to the illustration below for minimum power cord plug clearance.

Performance may be compromised if the electrical supply is less than 240 volts.

ELECTRICAL REQUIREMENTS—24" OVEN

| | |
|-------------------|------------------------------|
| Electrical Supply | grounded, 240/208 VAC, 60 Hz |
| Service | 20 amp dedicated circuit |
| Receptacle | NEMA 6-20R grounding-type |
| Power Cord | 6' (1.8 m) |



Power cord clearance

30" OVEN

Installation must comply with all applicable electrical codes.

Locate the electrical supply flush with the back wall and within the shaded area shown in the illustrations on the following pages. For ease of installation, the electrical supply for the oven can be placed in an adjacent cabinet within reach of the conduit.

Performance may be compromised if the electrical supply is less than 240 volts.

The oven is supplied with a conduit consisting of two insulated hot lead conductors and a bare ground conductor. The wiring diagram covering the control circuit is provided with the oven.

ELECTRICAL REQUIREMENTS—SINGLE OVEN

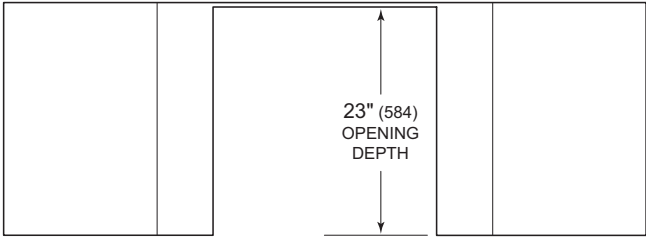
| | |
|--------------------|------------------------------|
| Electrical Supply | grounded, 240/208 VAC, 60 Hz |
| Service | 30 amp dedicated circuit |
| Conduit | 4' (1.2 m) |
| Total Amps | 22 |
| Max Connected Load | 5.4 kW |

ELECTRICAL REQUIREMENTS—DOUBLE OVEN

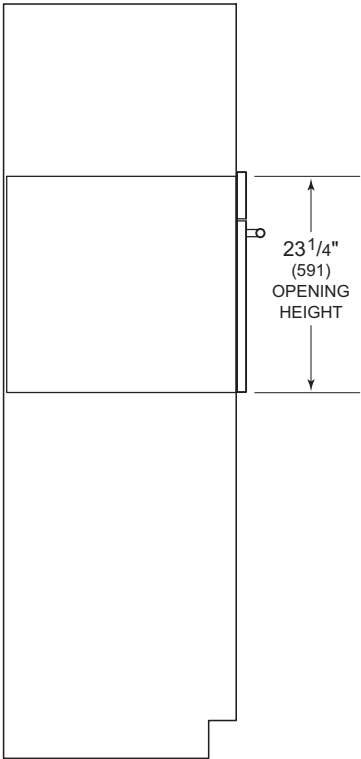
| | |
|--------------------|------------------------------|
| Electrical Supply | grounded, 240/208 VAC, 60 Hz |
| Service | 50 amp dedicated circuit |
| Conduit | 5' (1.5 m) |
| Total Amps | 45 |
| Max Connected Load | 10.8 kW |

24" E Series Single Oven

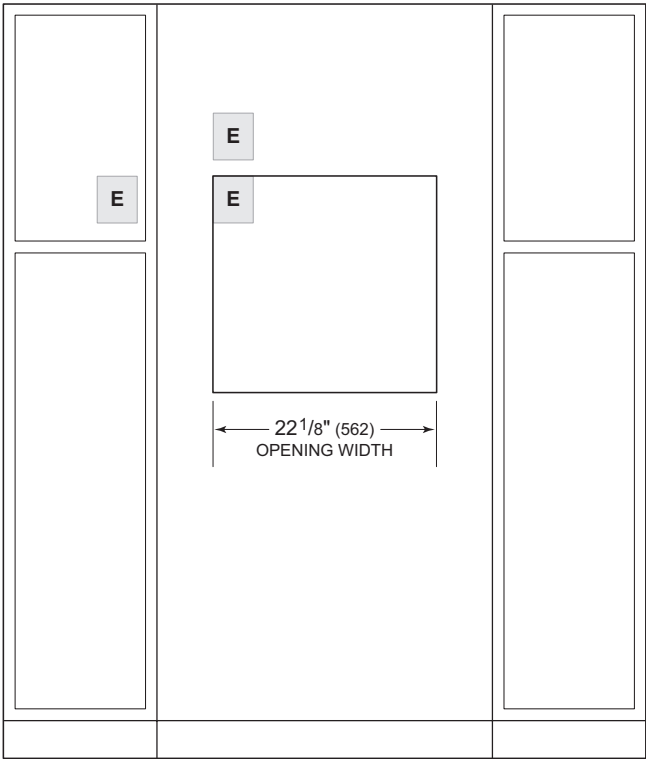
STANDARD INSTALLATION



TOP VIEW



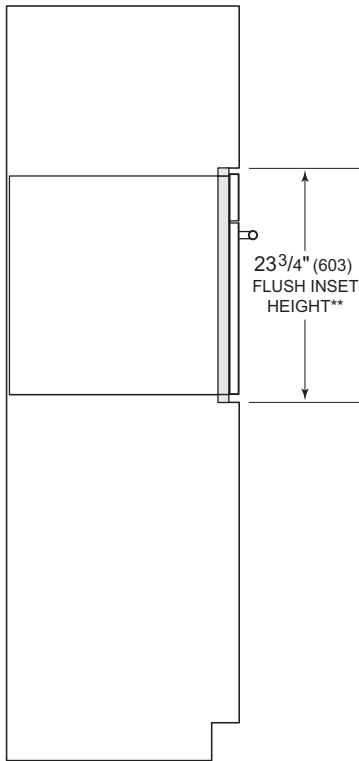
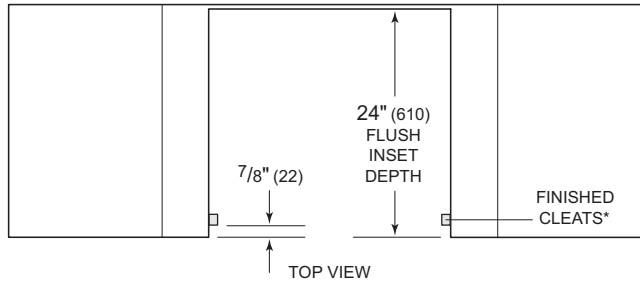
SIDE VIEW



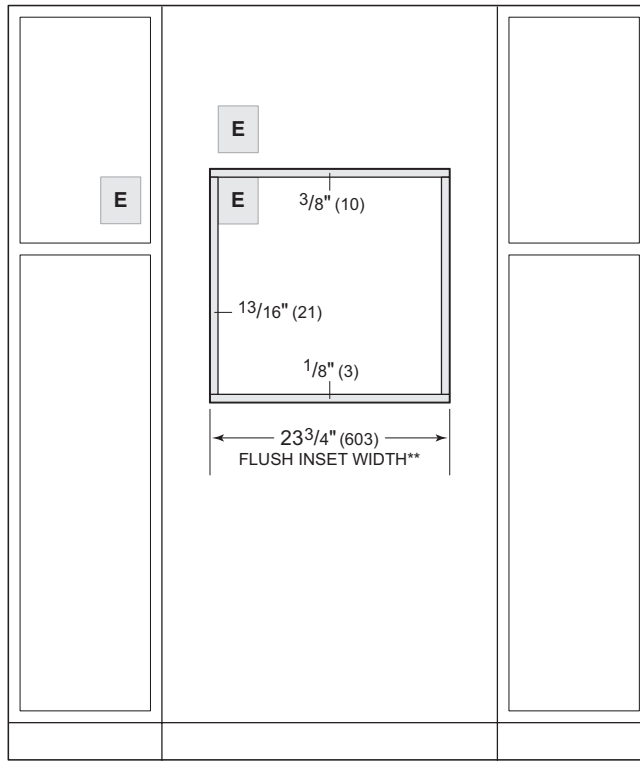
FRONT VIEW

24" E Series Single Oven

FLUSH INSET INSTALLATION



SIDE VIEW



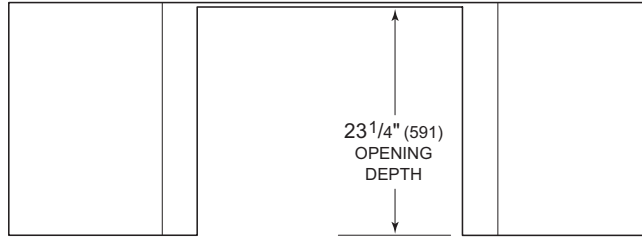
FRONT VIEW

*Will be visible and should be finished to match cabinetry.

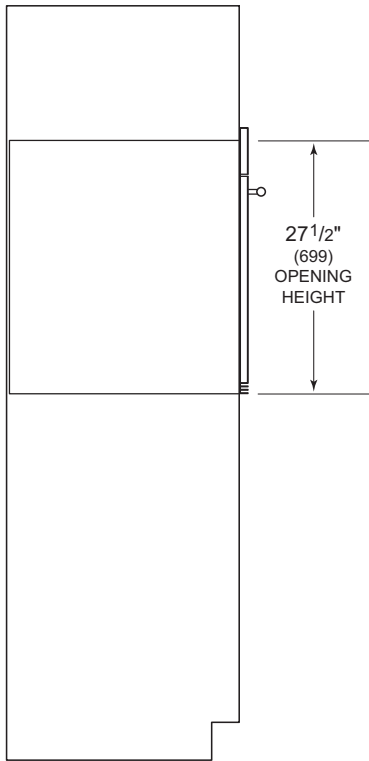
**Dimension provides minimum reveals.

30" E Series Single Oven

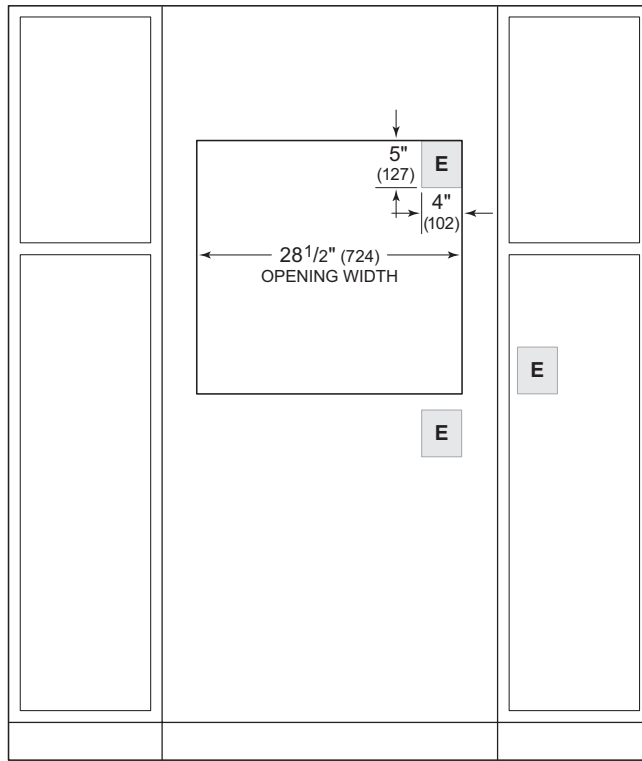
STANDARD INSTALLATION



TOP VIEW



SIDE VIEW

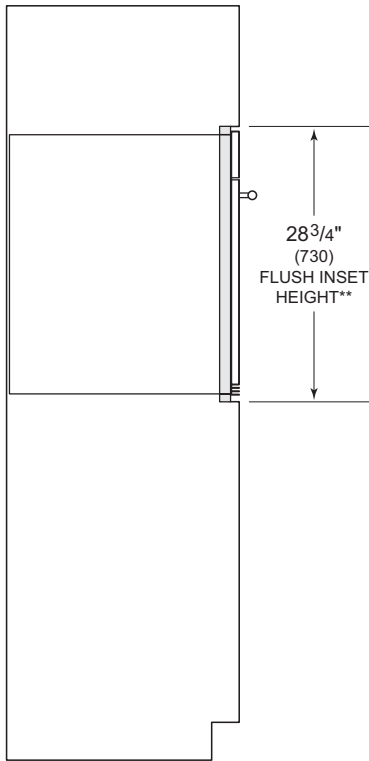
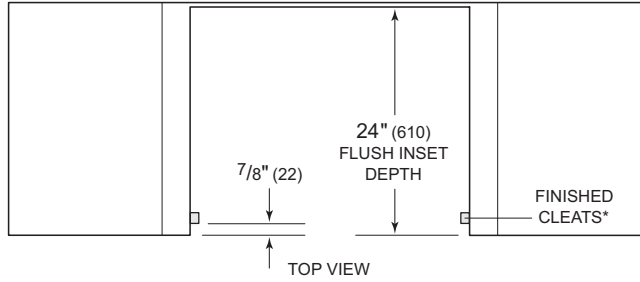


FRONT VIEW

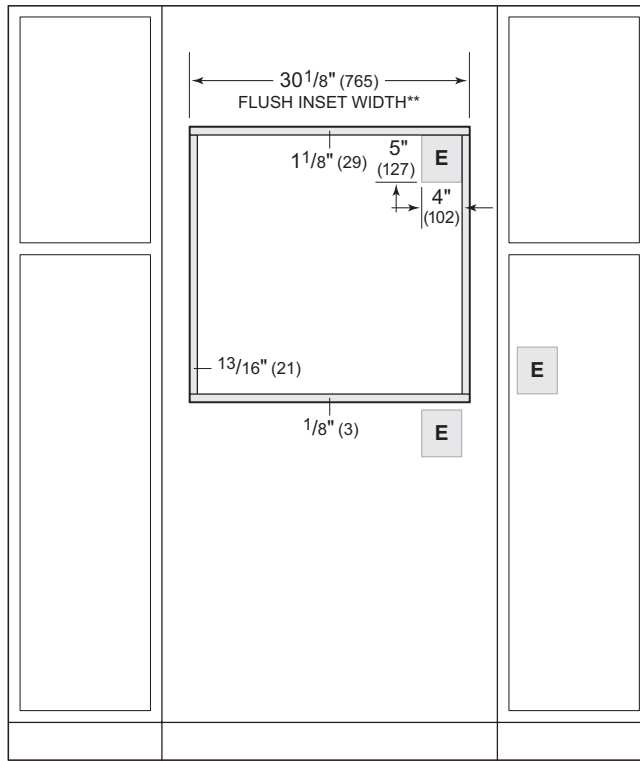
NOTE: Location of electrical supply within opening may require additional cabinet depth.

30" E Series Single Oven

FLUSH INSET INSTALLATION



SIDE VIEW



FRONT VIEW

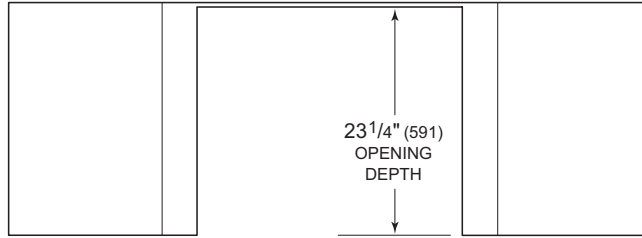
*Shaded areas will be visible and should be finished to match cabinetry.

**Dimension provides minimum reveals.

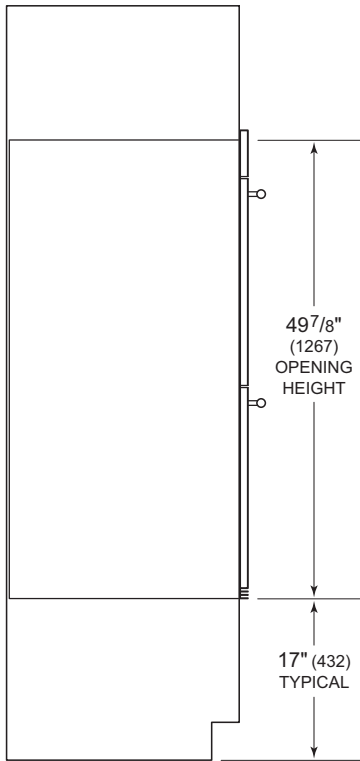
NOTE: Location of electrical supply within opening may require additional cabinet depth.

30" E Series Double Oven

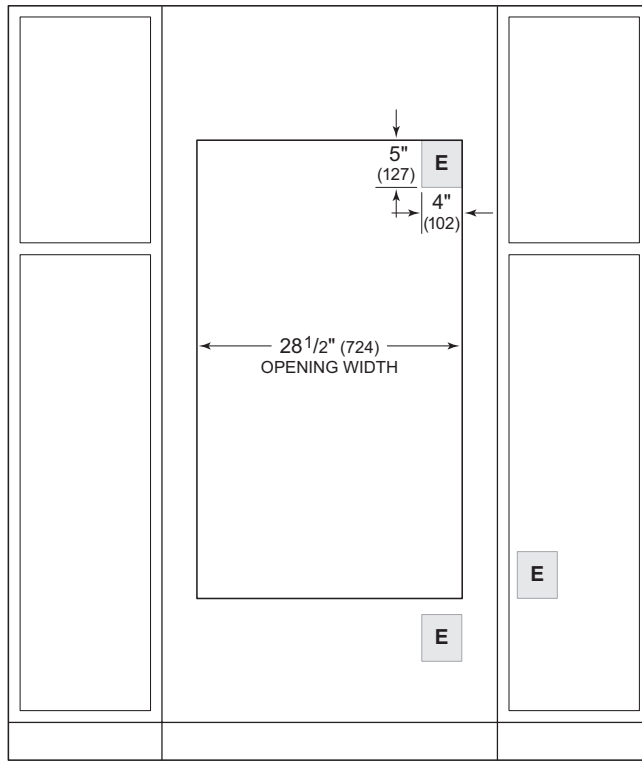
STANDARD INSTALLATION



TOP VIEW



SIDE VIEW

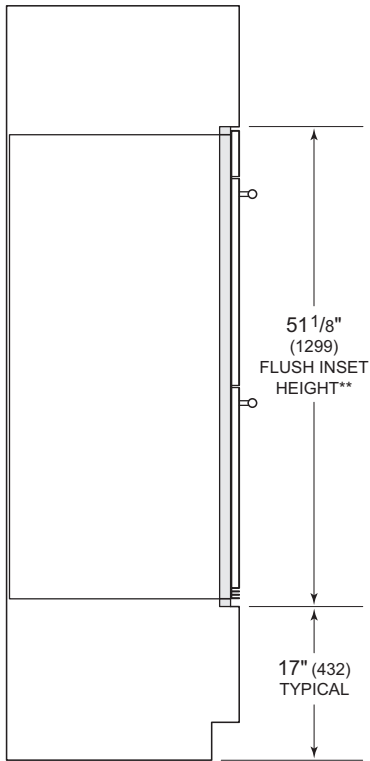
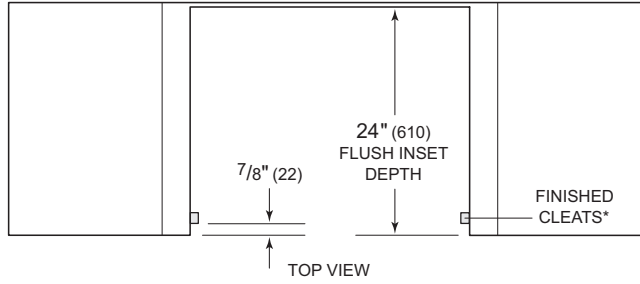


FRONT VIEW

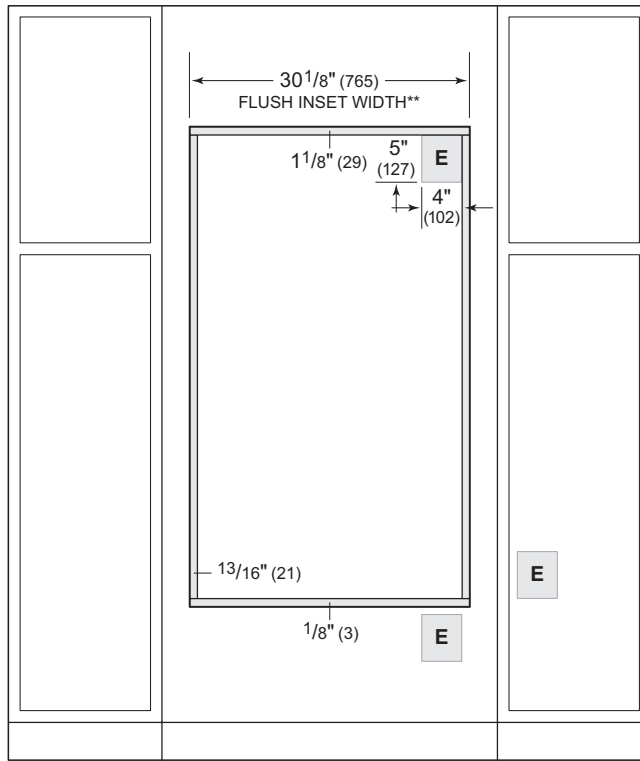
NOTE: Location of electrical supply within opening may require additional cabinet depth.

30" E Series Double Oven

FLUSH INSET INSTALLATION



SIDE VIEW



FRONT VIEW

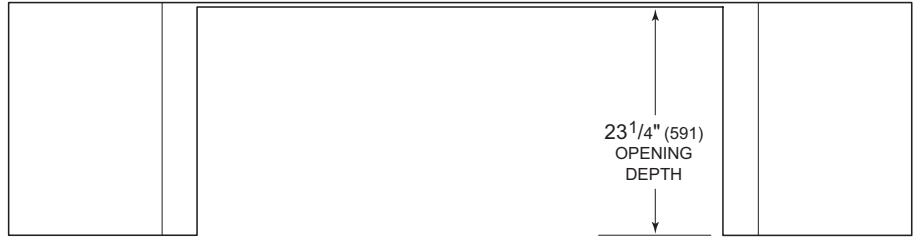
*Shaded areas will be visible and should be finished to match cabinetry.

**Dimension provides minimum reveals.

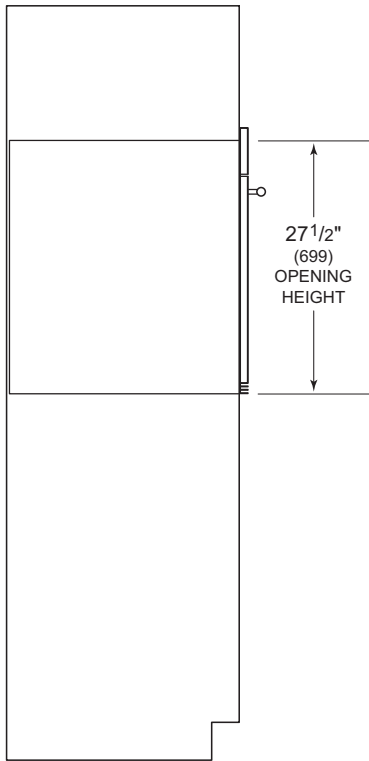
NOTE: Location of electrical supply within opening may require additional cabinet depth.

30" E Series Single Oven

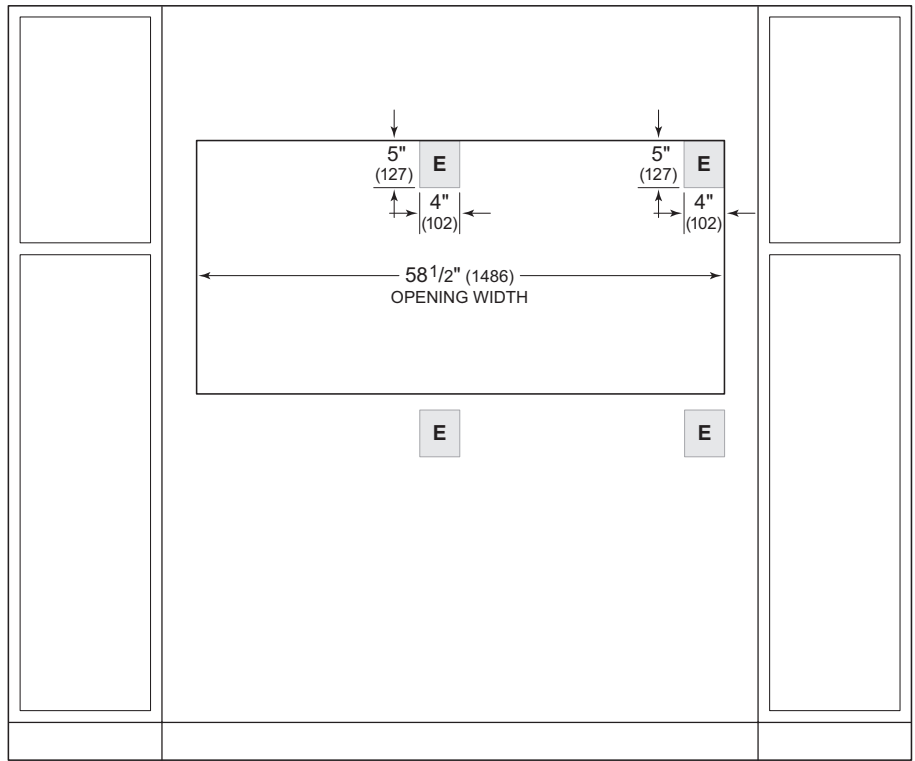
DUAL STANDARD INSTALLATION



TOP VIEW



SIDE VIEW

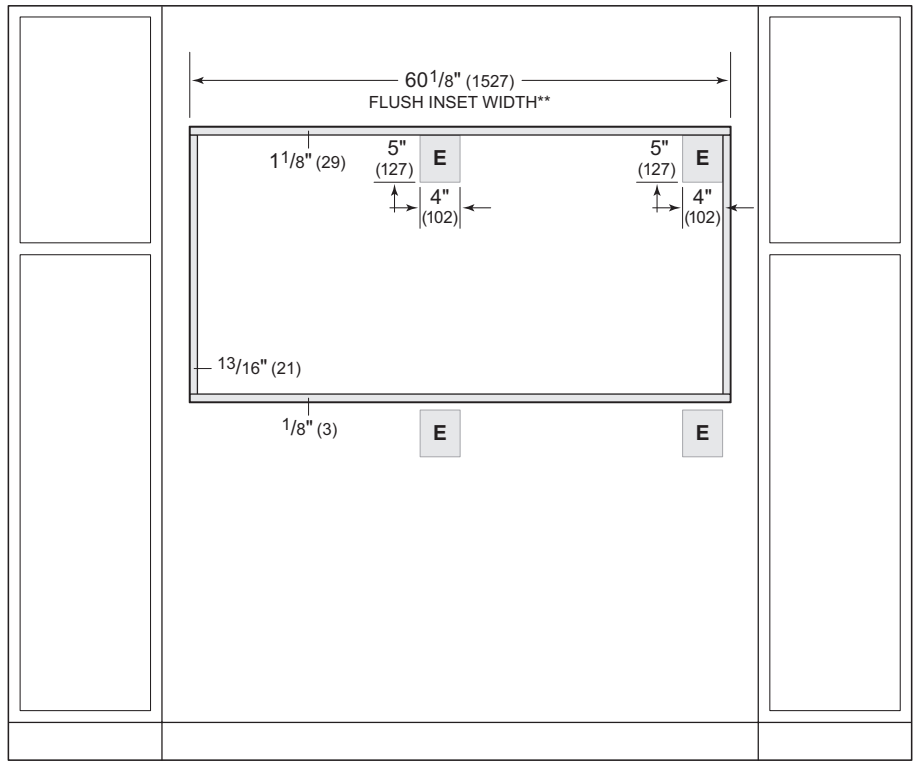
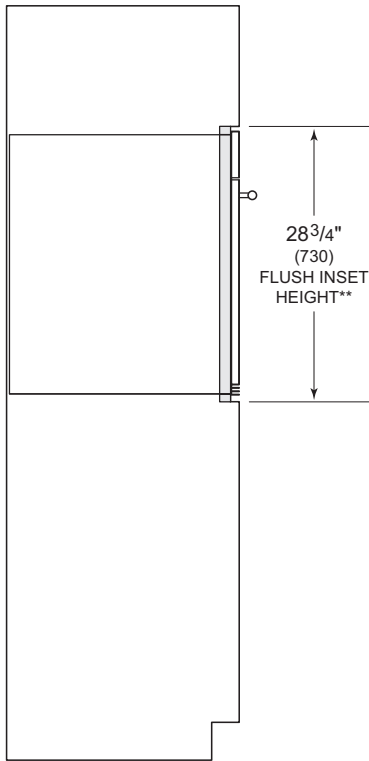
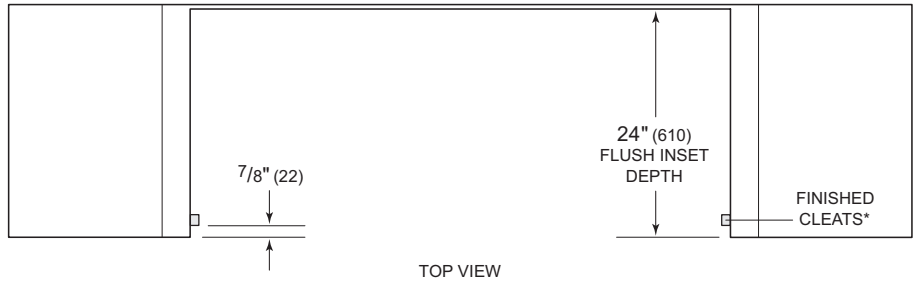


FRONT VIEW

NOTE: Location of electrical supply within opening may require additional cabinet depth. A dual installation kit is required for this installation.

30" E Series Single Oven

DUAL FLUSH INSET INSTALLATION



SIDE VIEW

FRONT VIEW

*1" (25) minimum depth. Shaded areas will be visible and should be finished to match cabinetry.

**Dimension provides minimum reveals.

NOTE: Location of electrical supply within opening may require additional cabinet depth. A dual installation kit is required for this installation.

Convection Steam Ovens

MODELS

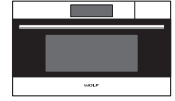
TRANSITIONAL



CSO2450TE/S/T
CSOP2450TE/S/T

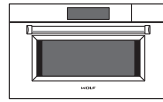


CSO3050TM/S/T
CSOP3050TM/S/T

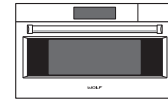


CSO3050TE/S/T
CSOP3050TE/S/T

PROFESSIONAL



CSO3050PM/S/P
CSOP3050PM/S/P



CSO3050PE/S/P
CSOP3050PE/S/P

CONTEMPORARY



CSO3050CM/B/T
CSOP3050CM/B/T

CONTEMPORARY HANDLELESS



CSO2450CM/S
CSOP2450CM/S



CSO3050CM/S
CSOP3050CM/S

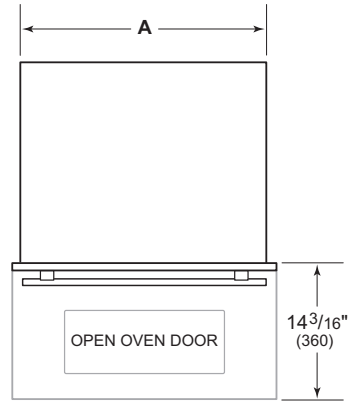
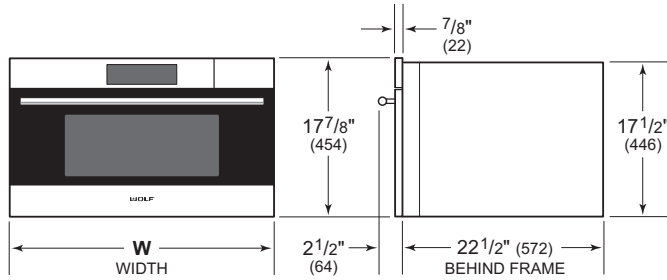


CSO3050CM/B
CSOP3050CM/B

Convection Steam Ovens

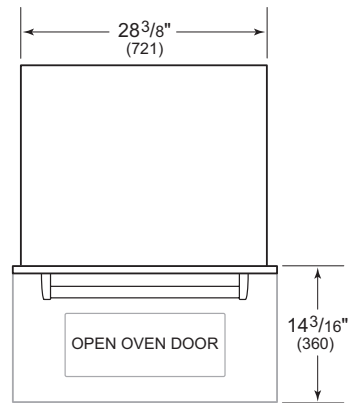
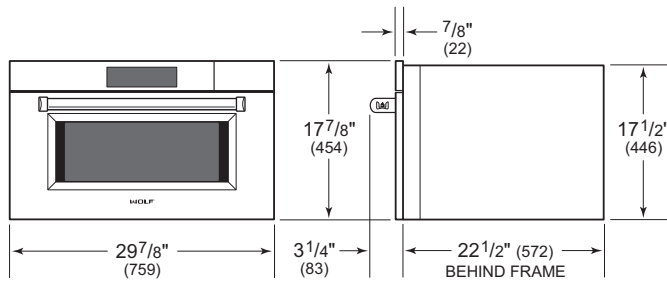
Convection Steam Ovens

TRANSITIONAL



| WIDTH | W | A |
|------------------|------------|------------|
| 24" Transitional | 23½" (597) | 21½" (546) |
| 30" Transitional | 29⅞" (759) | 28⅜" (721) |

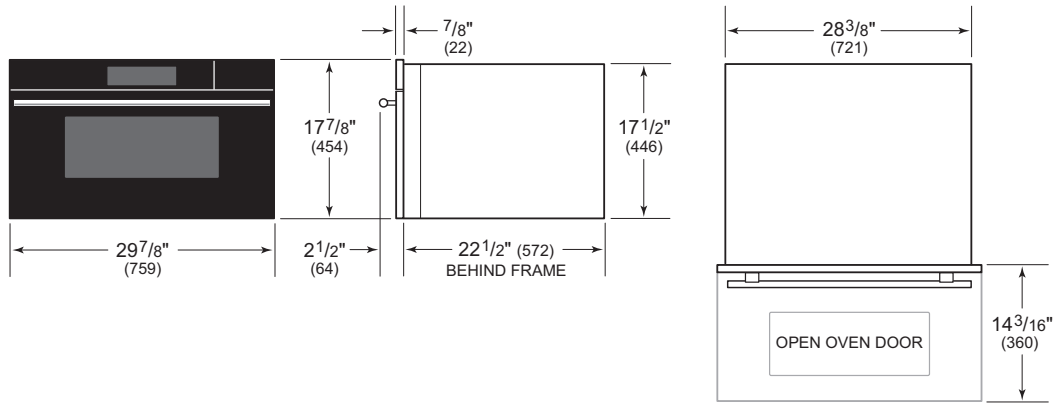
PROFESSIONAL



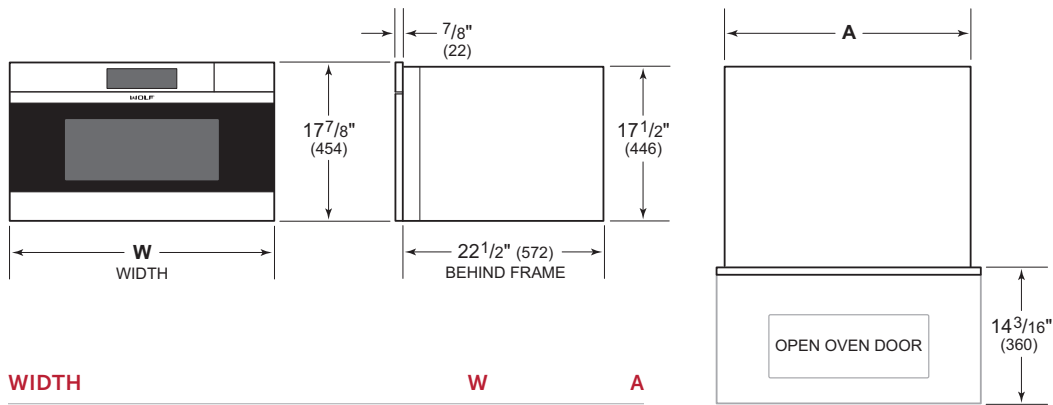
Convection Steam Ovens

Convection Steam Ovens

CONTEMPORARY



CONTEMPORARY HANDLELESS



| WIDTH | W | A |
|-----------------------------|---------------|---------------|
| 24" Contemporary Handleless | 23 1/2" (597) | 21 1/2" (546) |
| 30" Contemporary Handleless | 29 7/8" (759) | 28 3/8" (721) |

Planning Information

The Convection Steam Oven can be installed in a standard or flush inset application. The back of the base support must be open for water and drain line accessibility and routing. Refer to the illustration below.

Finish the edges of the opening. They may be visible when the door is open.

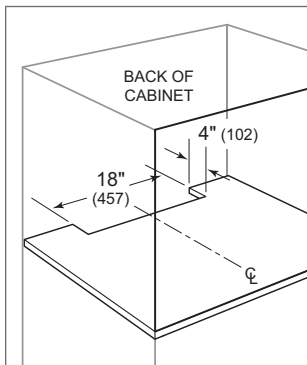
For standard installations, the face trim overlaps stiles and rails. Refer to the chart.

For flush inset installations, a minimum $\frac{1}{8}$ " (3) reveal is required on all sides. To ensure consistent reveals, each corner of the opening must be exactly 90°.

INSTALLATION REQUIREMENTS

| | |
|----------------------|----------------|
| Minimum Base Support | 150 lb (68 kg) |
|----------------------|----------------|

| TRIM OVERLAP | 24" MODEL | 30" MODEL |
|--------------|----------------------|------------------------|
| Top | $\frac{3}{16}$ " (5) | $\frac{3}{16}$ " (5) |
| Bottom | 0" (0) | 0" (0) |
| Sides | $\frac{5}{8}$ " (16) | $\frac{11}{16}$ " (18) |



Base support

Electrical Requirements

Installation must comply with all applicable electrical codes.

For ease of installation, the electrical supply for the oven should be placed in an adjacent cabinet within reach of the conduit.

Performance may be compromised if the electrical supply is less than 240 volts.

The oven is supplied with a conduit consisting of two hot lead conductors and a ground conductor. The wiring diagram covering the control circuit is provided with the oven.

ELECTRICAL REQUIREMENTS

| | |
|--------------------|------------------------------|
| Electrical Supply | grounded, 240/208 VAC, 60 Hz |
| Service | 20 amp dedicated circuit |
| Conduit | 4' (1.2 m) |
| Total Amps | 18 |
| Max Connected Load | 4.2 kW |

Plumbing Requirements

PLUMBED MODELS ONLY

IMPORTANT NOTE: The unit needs minerals in the water to operate. Do not connect to a filtered water supply.

Installation must comply with all applicable plumbing codes.

IMPORTANT NOTE: The drain connection must be able to withstand temperatures up to 130°F (55°C).

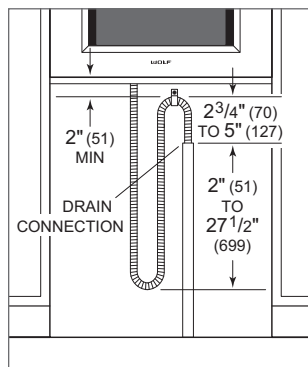
The drain tube connection must be a minimum 2" (51) below the unit and a minimum 4" (102) from the floor. Locate the drain and water connections below the unit or in an adjacent cabinet. Any opening into the adjacent cabinet must meet the following: the longest dimension of the opening shall not be more than 1½" (38). The edges of the opening must be smooth and round.

IMPORTANT NOTE: The drain location can vary, but must be within reach of the corrugated tubing. Do not extend or reduce the drain tubing. A drain line high loop is required. Refer to the illustrations below.

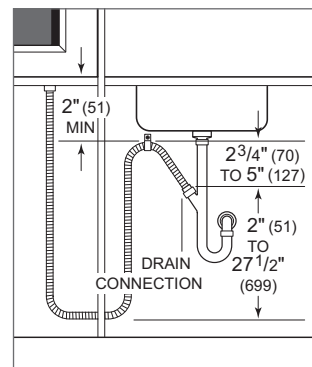
Connect the water supply to a cold water house supply with an easily accessible shut-off valve between the supply and the unit.

PLUMBING REQUIREMENTS

| | |
|------------------|--|
| Water Connection | 6.5' (2 m) braided tubing with 3/8" female compression fitting |
| Drain Connection | 10' (3 m) corrugated tubing |
| Pressure | 15–145 psi (1–10 bar) |



Drain connection A

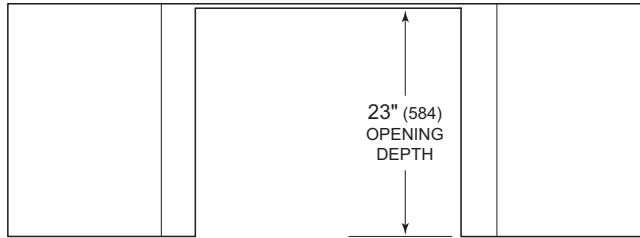


Drain connection B

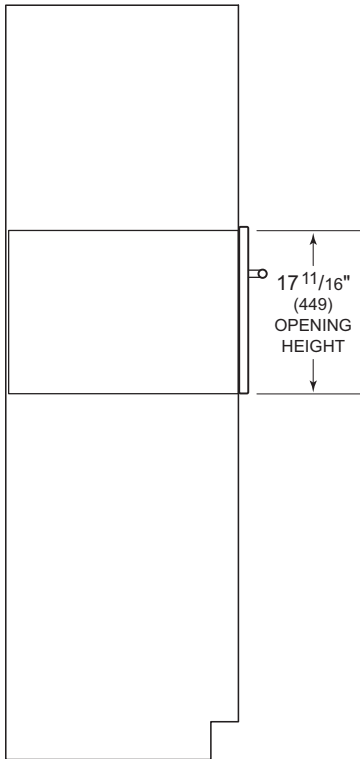
Convection Steam Ovens

Convection Steam Oven

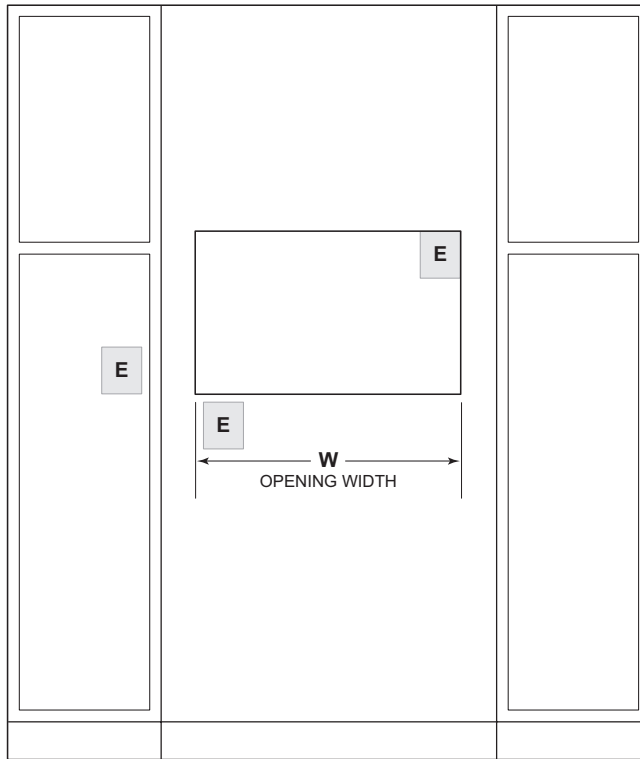
STANDARD INSTALLATION



TOP VIEW



SIDE VIEW



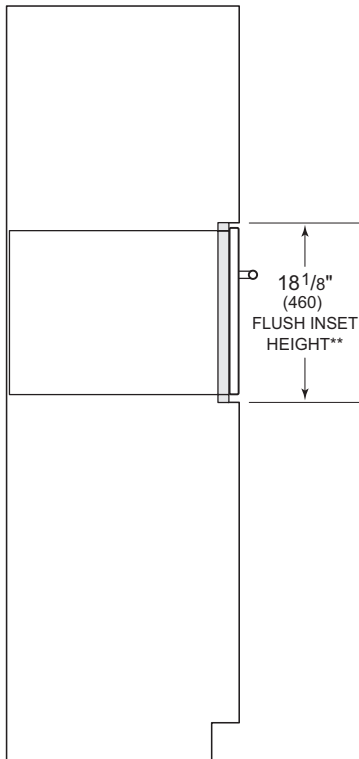
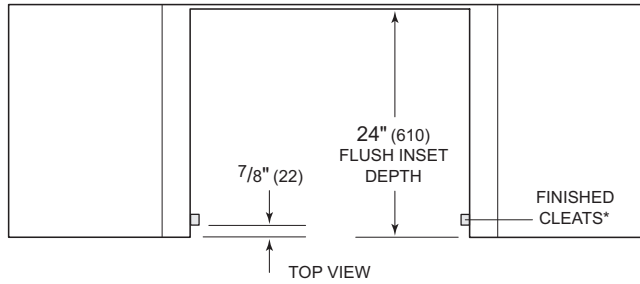
FRONT VIEW

NOTE: Location of electrical supply within opening may require additional cabinet depth.

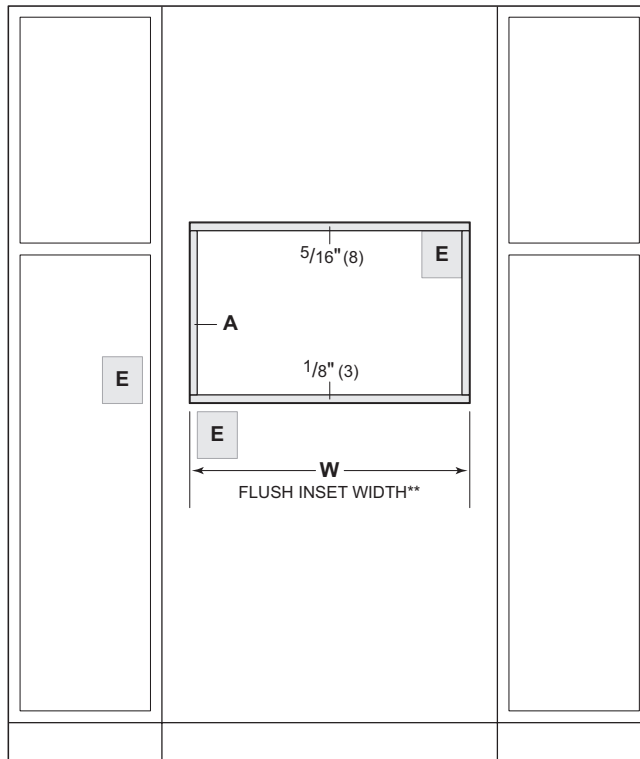
| OPENING WIDTH | W |
|---------------|--|
| 24" Model | 22 ¹ / ₈ " (562) |
| 30" Model | 28 ¹ / ₂ " (724) |

Convection Steam Oven

FLUSH INSET INSTALLATION



SIDE VIEW



FRONT VIEW

*Will be visible and should be finished to match cabinetry.

**Dimension provides minimum reveals.

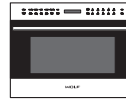
NOTE: Location of electrical supply within opening may require additional cabinet depth.

| OPENING WIDTH | W | A |
|---------------|---------------|---------------|
| 24" Model | 23 3/4" (603) | 13 1/16" (21) |
| 30" Model | 30 1/8" (765) | 13 1/16" (21) |

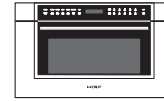
Speed Ovens

MODELS

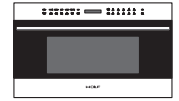
TRANSITIONAL



SPO24TE/S/TH

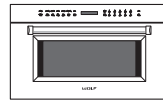


SPO30TM/S/TH

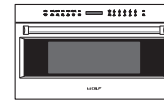


SPO30TE/S/TH

PROFESSIONAL



SPO30PM/S/PH



SPO30PE/S/PH

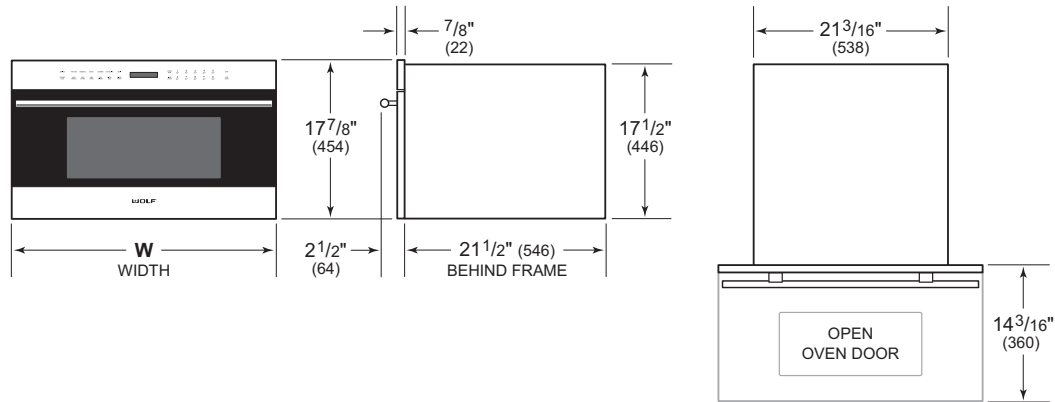
CONTEMPORARY



SPO30CM/B/TH

Speed Ovens

TRANSITIONAL



WIDTH

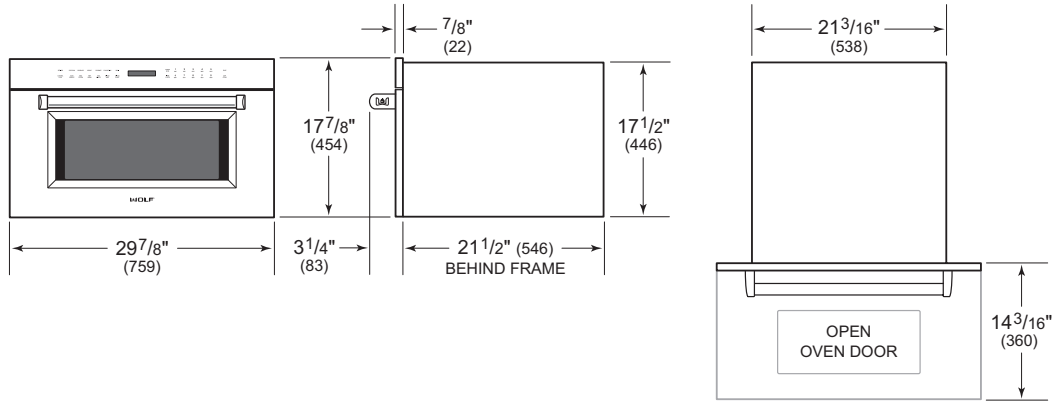
W

| | |
|------------------|------------------------|
| 24" Transitional | $23\frac{1}{2}"$ (597) |
| 30" Transitional | $29\frac{7}{8}"$ (759) |

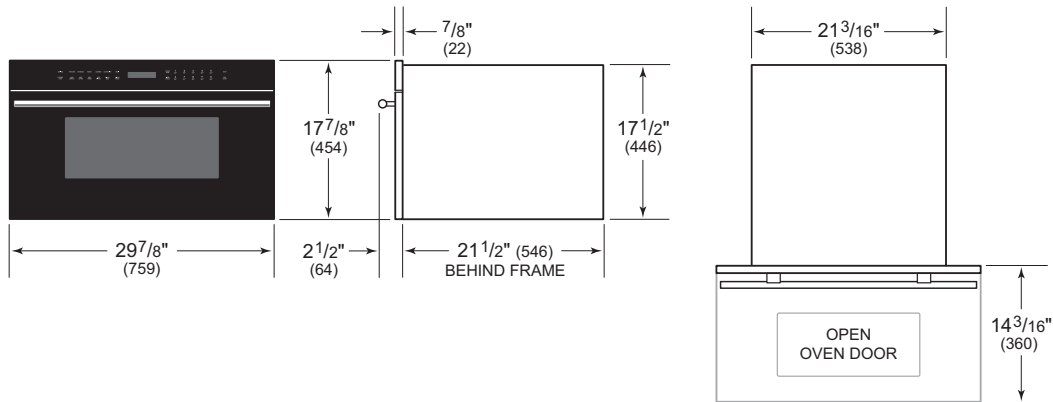
Speed Ovens

Speed Ovens

PROFESSIONAL



CONTEMPORARY



Planning Information

The Speed Oven can be installed in a standard or flush inset application.

Finish the edges of the opening. They may be visible when the door is open.

For standard installations, the face trim will overlap stiles and rails. Refer to the chart below.

For flush inset installations, a minimum $\frac{1}{8}$ " (3) reveal is required on all sides. To ensure consistent reveals, each corner of the opening must be exactly 90°.

If the Speed Oven is installed above or below a Wolf E Series Oven in a flush inset application, a $\frac{1}{4}$ " (6) reveal is required.

INSTALLATION REQUIREMENTS

| BASE SUPPORT | MIN |
|-----------------|----------------|
| 24" (610) Model | 125 lb (57 kg) |
| 30" (762) Model | 125 lb (57 kg) |

| TRIM OVERLAP | 24" MODEL | 30" MODEL |
|--------------|------------------------|-----------------------|
| Top | $\frac{3}{16}$ " (5) | $\frac{3}{16}$ " (5) |
| Bottom | 0" (0) | 0" (0) |
| Sides | $1\frac{1}{16}$ " (18) | $3\frac{7}{8}$ " (98) |

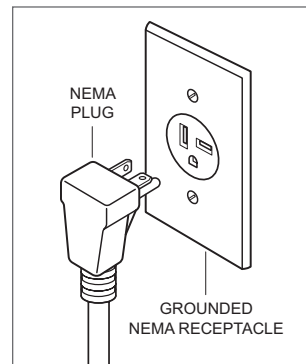
ELECTRICAL REQUIREMENTS

Installation must comply with all applicable electrical codes.

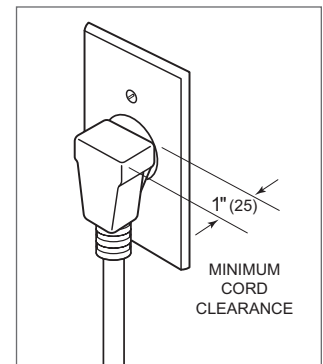
Locate the electrical supply as shown in the illustrations on the following pages. The receptacle may also be located in an adjacent cabinet within reach of the power cord. A separate circuit, servicing only this appliance is required. A ground fault circuit interrupter (GFCI) is not recommended and may cause interruption of operation. Refer to the illustration below for minimum power cord plug clearance.

ELECTRICAL REQUIREMENTS

| | |
|-------------------|------------------------------|
| Electrical Supply | grounded, 240/208 VAC, 60 Hz |
| Service | 15 amp dedicated circuit |
| Receptacle | NEMA 6-20R grounding type |
| Power Cord | 6' (1.8 m) |



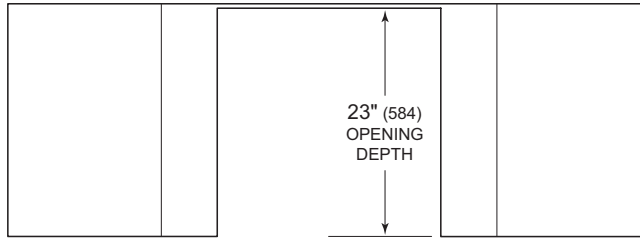
NEMA 6-20R receptacle



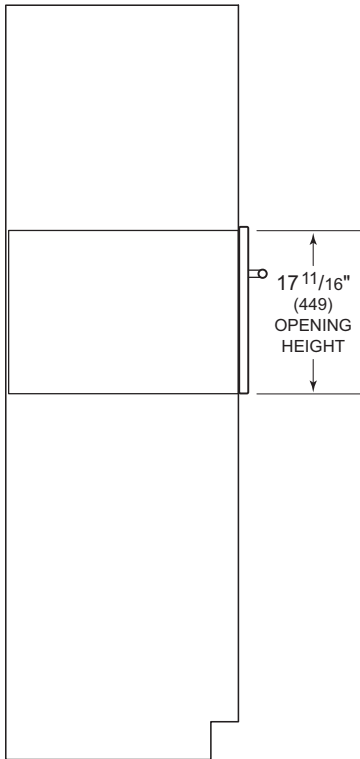
Power cord clearance

Speed Oven

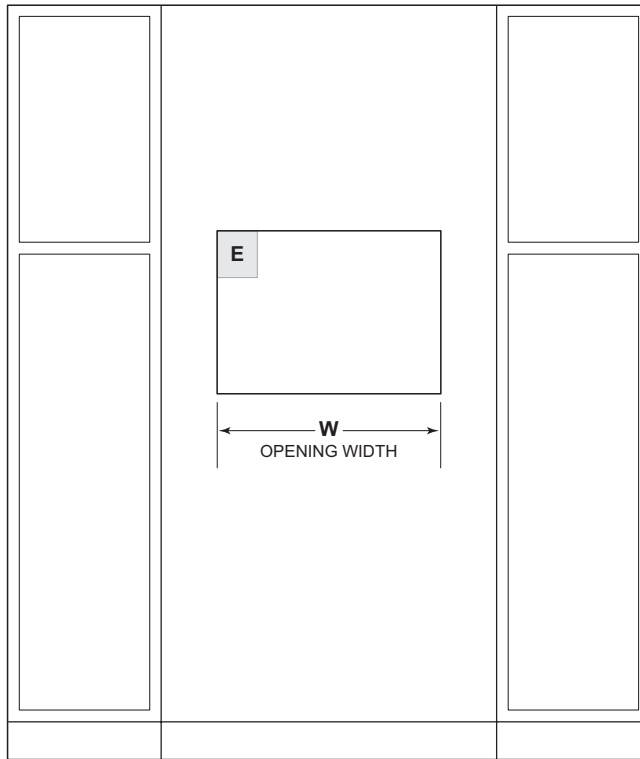
STANDARD INSTALLATION



TOP VIEW



SIDE VIEW



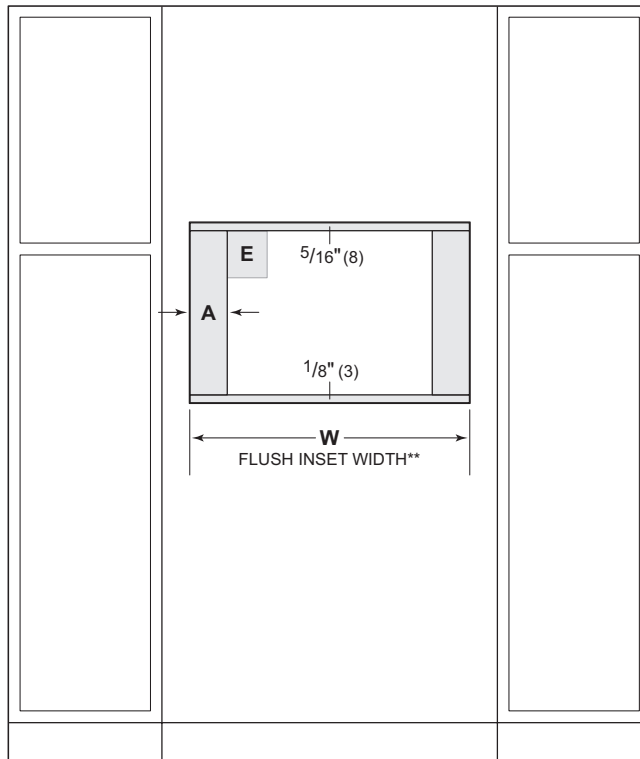
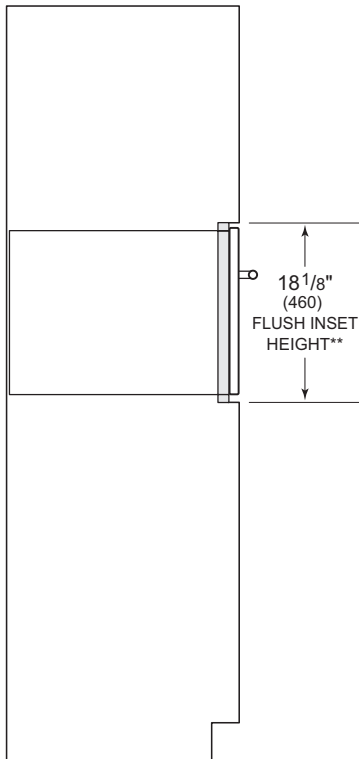
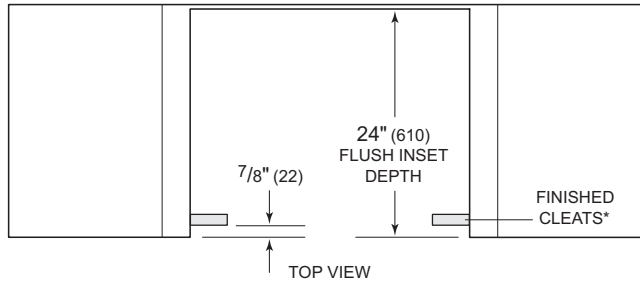
FRONT VIEW

NOTE: 24" (610) and 30" (762) models require the same opening dimensions.

| OPENING WIDTH | W |
|---------------|--|
| 24" Model | 22 ¹ / ₈ " (562) |
| 30" Model | 22 ¹ / ₈ " (562) |

Speed Oven

FLUSH INSET INSTALLATION



SIDE VIEW

FRONT VIEW

*Will be visible and should be finished to match cabinetry.

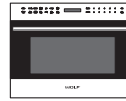
**Dimension provides minimum reveals.

| FLUSH INSET WIDTH | W | A |
|-------------------|--|---------------------------------------|
| 24" Model | 23 ³ / ₄ " (603) | 1 ³ / ₁₆ " (21) |
| 30" Model | 30 ¹ / ₈ " (765) | 4" (102) |

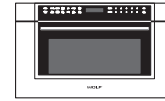
Microwave Ovens

DROP-DOWN DOOR MICROWAVES

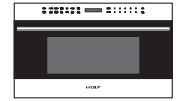
TRANSITIONAL



MDD24TE/S/TH

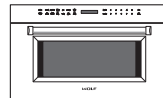


MDD30TM/S/TH

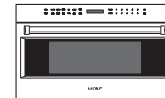


MDD30TE/S/TH

PROFESSIONAL



MDD30PM/S/PH



MDD30PE/S/PH

CONTEMPORARY



MDD30CM/B/TH

DRAWER MICROWAVE

TRANSITIONAL



MD24TE/S



MD30TE/S

PROFESSIONAL



MD30PE/S

CONVECTION MICROWAVE



MC24 (M/E SERIES TRIM)

STANDARD MICROWAVE



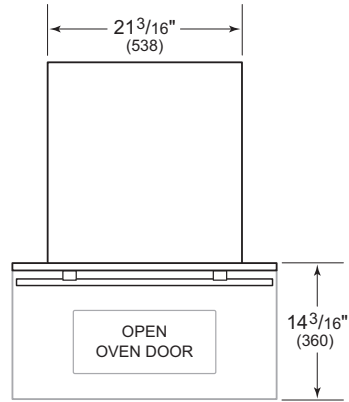
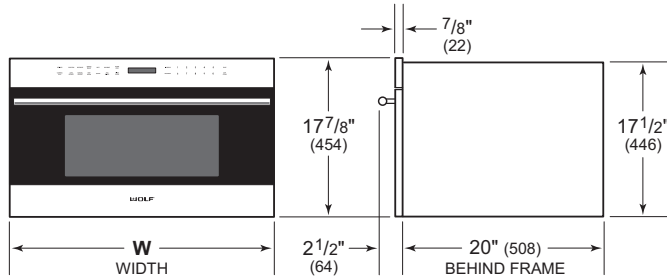
MS24 (M/E SERIES TRIM)



Microwave Ovens

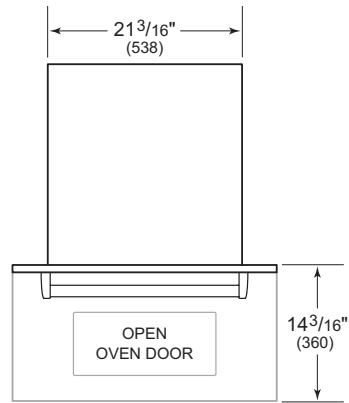
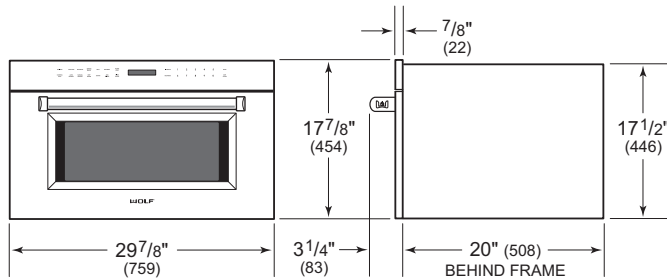
Drop-Down Door Microwave Ovens

TRANSITIONAL

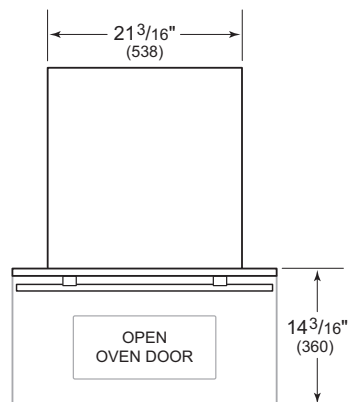
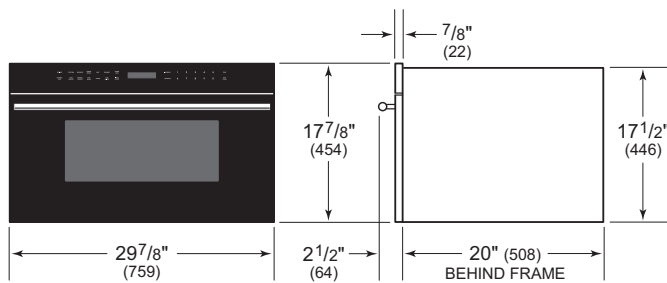


| WIDTH | W |
|------------------|---------------|
| 24" Transitional | 23 1/2" (597) |
| 30" Transitional | 29 7/8" (759) |

PROFESSIONAL



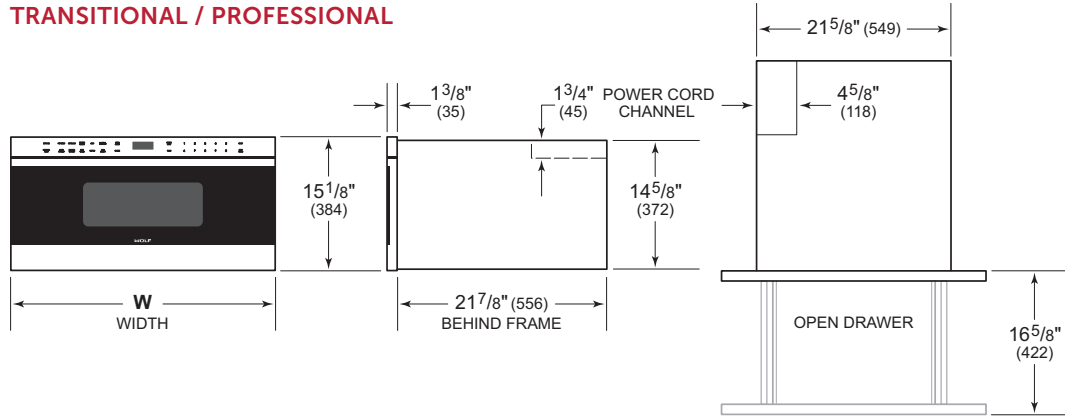
CONTEMPORARY



Microwave Ovens

Drawer Microwave Ovens

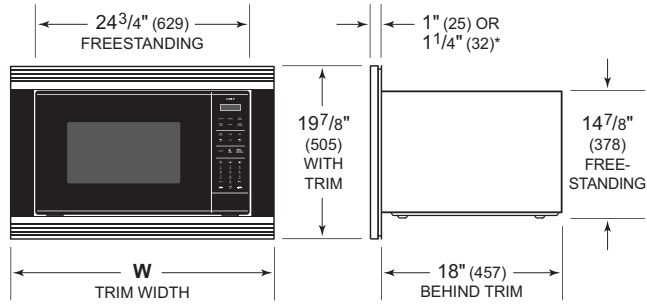
TRANSITIONAL / PROFESSIONAL



| WIDTH | W |
|-----------|---------------|
| 24" Model | 23 7/8" (606) |
| 30" Model | 29 7/8" (759) |

Convection Microwave Oven

M/E SERIES TRIM

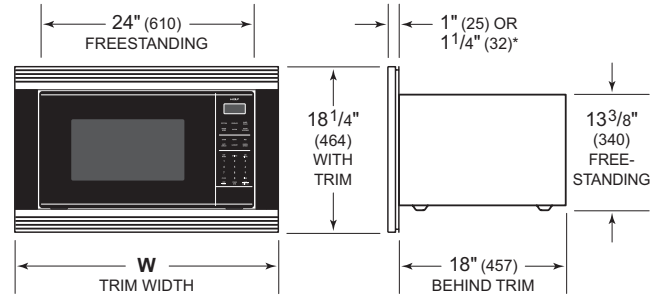


* $1\frac{1}{4}$ " (32) for contemporary E series trim only.

| TRIM WIDTH | M SERIES | E SERIES |
|------------|-------------------------|-------------------------|
| 27" Trim | NA | $26\frac{7}{8}$ " (683) |
| 30" Trim | $29\frac{7}{8}$ " (759) | $29\frac{7}{8}$ " (759) |

Standard Microwave Oven

M/E SERIES TRIM



* $1\frac{1}{4}$ " (32) for contemporary E series trim only.

| TRIM WIDTH | M SERIES | E SERIES |
|------------|-------------------------|-------------------------|
| 27" Trim | NA | $26\frac{7}{8}$ " (683) |
| 30" Trim | $29\frac{7}{8}$ " (759) | $29\frac{7}{8}$ " (759) |

Planning Information

DROP-DOWN DOOR MICROWAVE

The Drop-Down Door Microwave Oven can be installed in a standard or flush inset application.

Finish the edges of the opening. They may be visible when the door is open.

For standard installations, the face trim will overlap stiles and rails. Refer to the chart below.

For flush inset installations, a minimum $\frac{1}{8}$ " (3) reveal is required on all sides. To ensure consistent reveals, each corner of the opening must be exactly 90°.

INSTALLATION REQUIREMENTS

| BASE SUPPORT | | MIN |
|--------------------------|------------------------|-----------------------|
| Drop-Down Door Microwave | | 125 lb (57 kg) |
| TRIM OVERLAP | 24" MODEL | 30" MODEL |
| Top | $\frac{3}{16}$ " (5) | $\frac{3}{16}$ " (5) |
| Bottom | 0" (0) | 0" (0) |
| Sides | $1\frac{1}{16}$ " (18) | $3\frac{7}{8}$ " (98) |

DRAWER MICROWAVE

The Drawer Microwave Oven can be installed in a standard or flush inset application. The location of the electrical supply within the oven opening may require additional cabinet depth.

Finish the edges of the opening. They may be visible when the drawer is open.

For standard installations, the face trim will overlap stiles and rails. Refer to the chart below.

For flush inset installations, a minimum $\frac{1}{8}$ " (3) reveal is required on the top and sides and $1\frac{1}{16}$ " (18) on the bottom. To ensure consistent reveals, each corner of the opening must be exactly 90°. A sales accessory is required to direct air away from the unit. Accessories are available through an authorized Wolf dealer. For local dealer information, visit the find a showroom section of our website, wolfappliance.com.

INSTALLATION REQUIREMENTS

| BASE SUPPORT | | MIN |
|----------------------|----------------------|-----------------------|
| 24" Drawer Microwave | | 125 lb (57 kg) |
| 30" Drawer Microwave | | 125 lb (57 kg) |
| TRIM OVERLAP | 24" MODEL | 30" MODEL |
| Top | $\frac{5}{16}$ " (8) | $\frac{5}{16}$ " (8) |
| Bottom | $\frac{1}{16}$ " (2) | $\frac{1}{16}$ " (2) |
| Sides | $\frac{7}{8}$ " (22) | $3\frac{7}{8}$ " (98) |

Planning Information

CONVECTION / STANDARD MICROWAVES

Convection and Standard Microwave Ovens can be installed in a standard or flush inset application using accessory trim to match Wolf ovens. Trim kits are available through an authorized Wolf dealer. For local dealer information, visit the find a showroom section of our website, wolfappliance.com.

For standard installations, the face trim will overlap stiles and rails. Refer to the chart below.

Convection and Standard Microwave Ovens can also be used freestanding. For freestanding applications, a minimum 2" (51) space is required at the top, rear, and sides of the microwave oven for air circulation.

INSTALLATION REQUIREMENTS

| BASE SUPPORT | | MIN |
|----------------------|--|----------------|
| Convection Microwave | | 125 lb (57 kg) |
| Standard Microwave | | 125 lb (57 kg) |

| 27" E SERIES TRIM OVERLAP | CONVECTION | STANDARD |
|----------------------------------|-------------------|-----------------|
| Top | 1/4" (6) | 9/16" (14) |
| Bottom | 3/4" (19) | 11/16" (17) |
| Sides | 13/16" (21) | 13/16" (21) |

| 30" M/E SERIES TRIM OVERLAP | CONVECTION | STANDARD |
|------------------------------------|-------------------|-----------------|
| Top | 1/4" (6) | 9/16" (14) |
| Bottom | 3/4" (19) | 11/16" (17) |
| Sides | 13/16" (30) | 13/16" (30) |

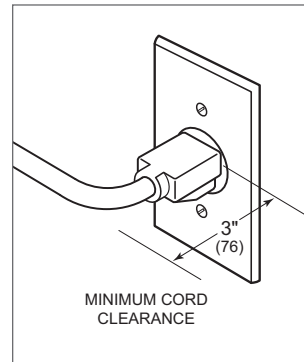
Electrical Requirements

Installation must comply with all applicable electrical codes.

Locate the electrical supply as shown in the illustrations on the following pages. The receptacle may also be located in an adjacent cabinet within reach of the power cord. A separate circuit servicing only this appliance is required. A ground fault circuit interrupter (GFCI) is not recommended and may cause interruption of operation. Refer to the illustration below for minimum power cord plug clearance.

ELECTRICAL REQUIREMENTS

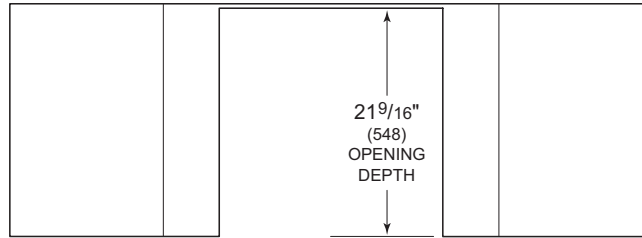
| | |
|-------------------|--------------------------|
| Electrical Supply | grounded, 120 VAC, 60 Hz |
| Service | 15 amp dedicated circuit |
| Receptacle | 3-prong grounding-type |
| Power Cord | 4' (1.2 m) |



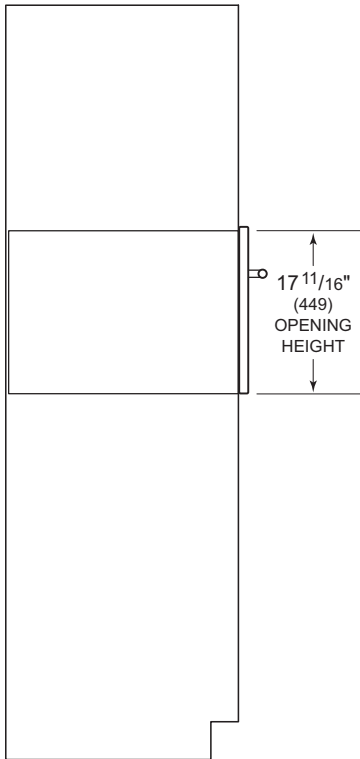
Power cord clearance

Drop-Down Door Microwave Oven

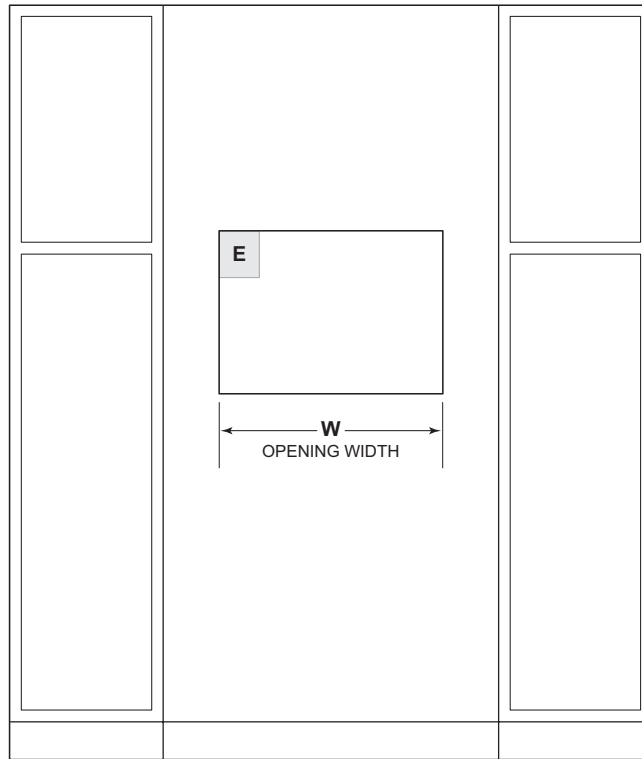
STANDARD INSTALLATION



TOP VIEW



SIDE VIEW



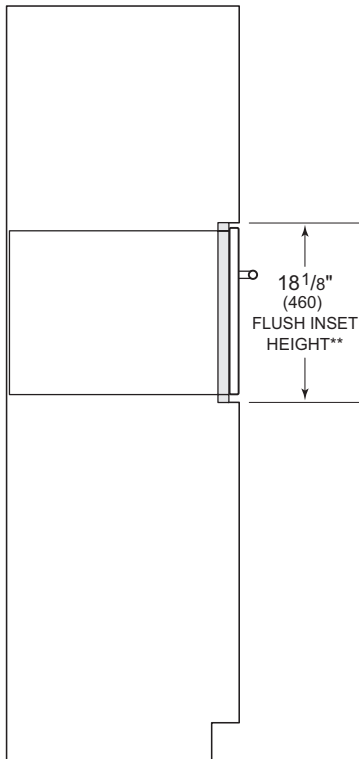
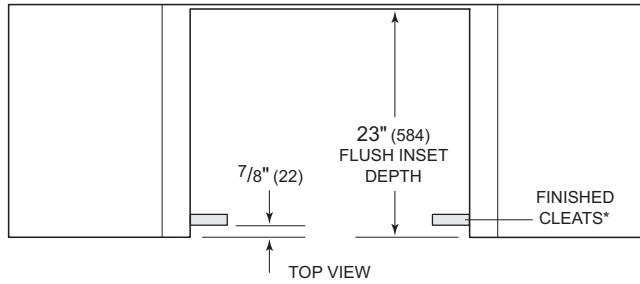
FRONT VIEW

NOTE: 24" (610) and 30" (762) models require the same opening dimensions.

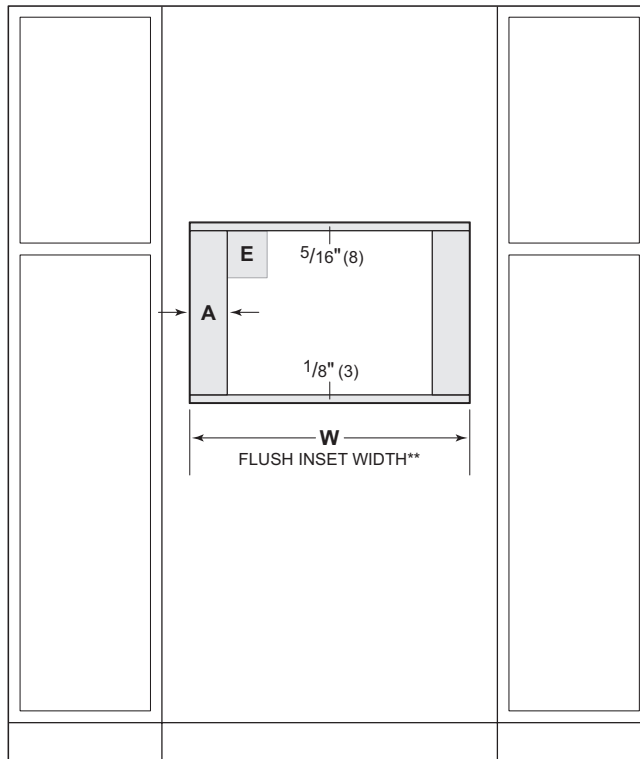
| OPENING WIDTH | W |
|---------------|--|
| 24" Model | 22 ¹ / ₈ " (562) |
| 30" Model | 22 ¹ / ₈ " (562) |

Drop-Down Door Microwave Oven

FLUSH INSET INSTALLATION



SIDE VIEW



FRONT VIEW

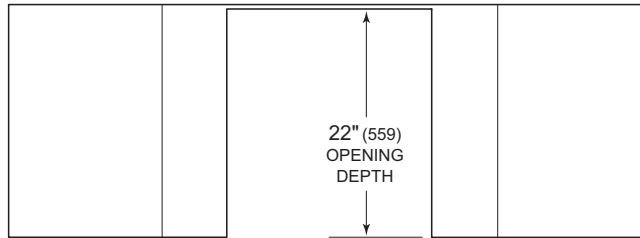
*Will be visible and should be finished to match cabinetry.

**Dimension provides minimum reveals.

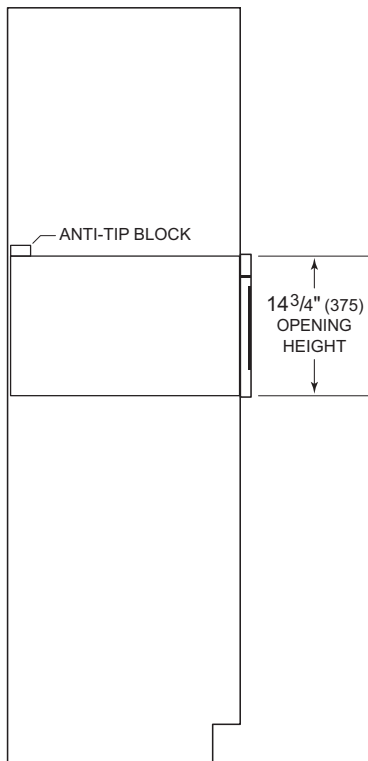
| FLUSH INSET WIDTH | W | A |
|-------------------|---------------|--------------|
| 24" Model | 23 3/4" (603) | 1 3/16" (21) |
| 30" Model | 30 1/8" (765) | 4" (102) |

Drawer Microwave Oven

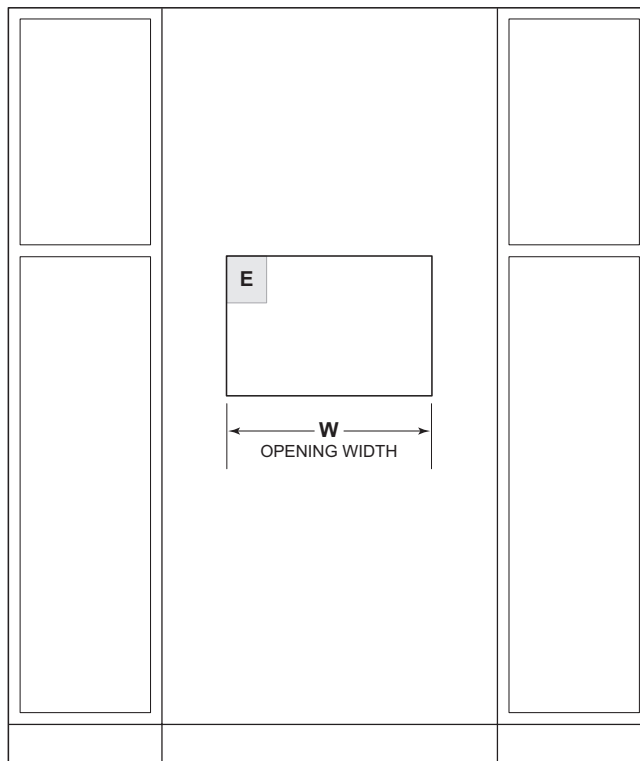
STANDARD INSTALLATION



TOP VIEW



SIDE VIEW



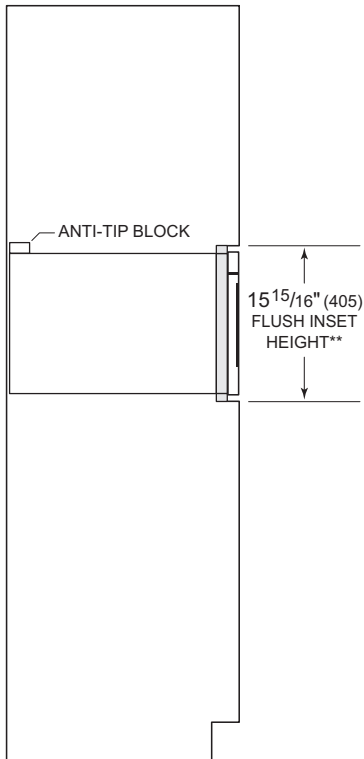
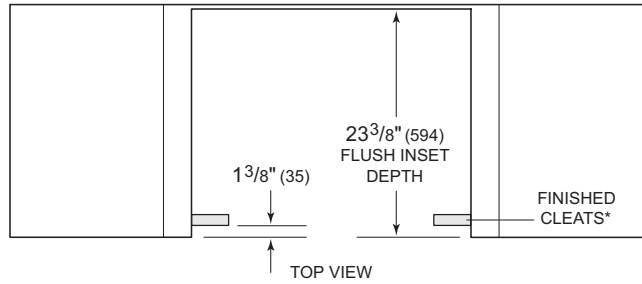
FRONT VIEW

NOTE: All drawer microwave ovens require the same opening dimensions.

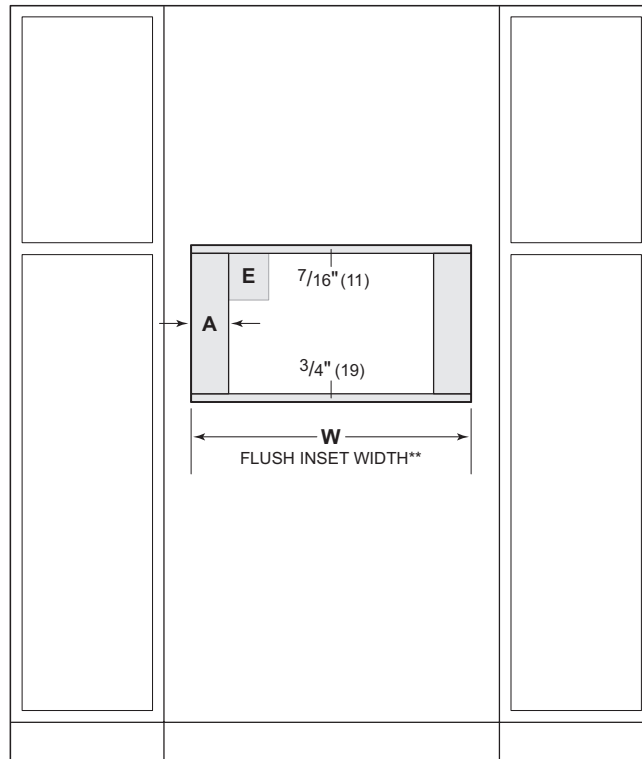
| OPENING WIDTH | W |
|---------------|--|
| 24" Model | 22 ¹ / ₈ " (562) |
| 30" Model | 22 ¹ / ₈ " (562) |

Drawer Microwave Oven

FLUSH INSET INSTALLATION



SIDE VIEW



FRONT VIEW

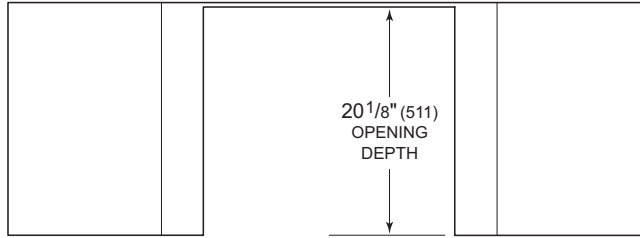
*Will be visible and should be finished to match cabinetry.

**Dimension provides minimum reveals.

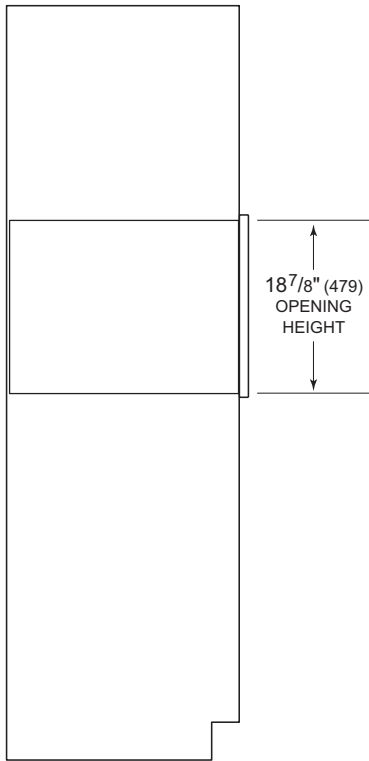
| FLUSH INSET WIDTH | W | A |
|-------------------|---------------|----------|
| 24" Model | 24 1/8" (613) | 1" (25) |
| 30" Model | 30 1/8" (765) | 4" (102) |

Convection Microwave Oven

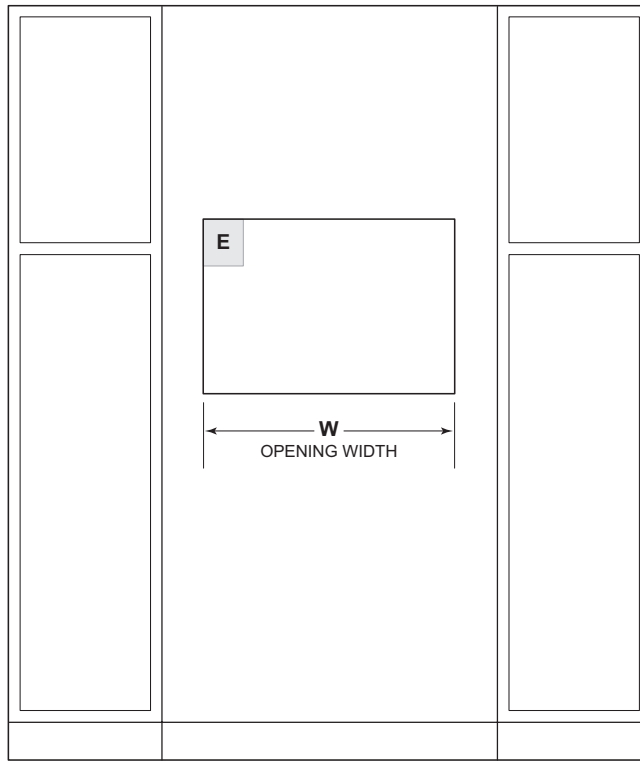
STANDARD INSTALLATION WITH TRIM



TOP VIEW



SIDE VIEW

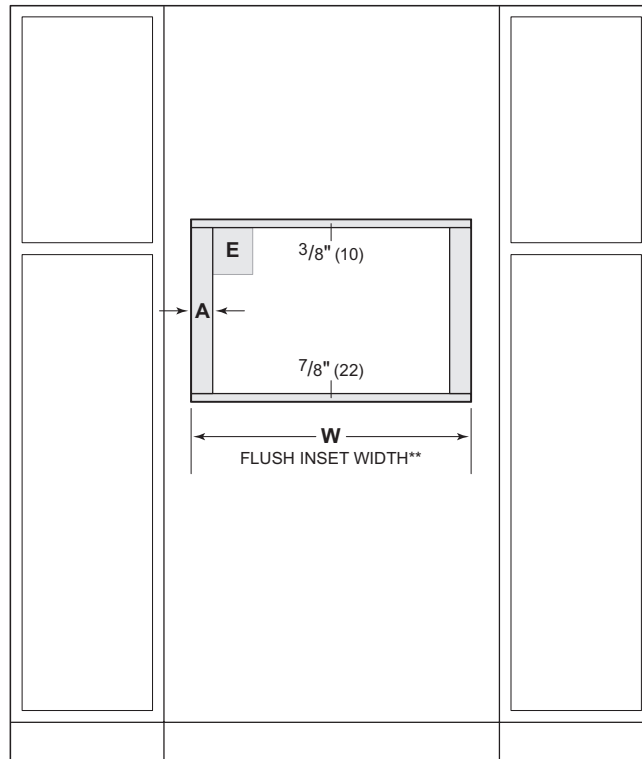
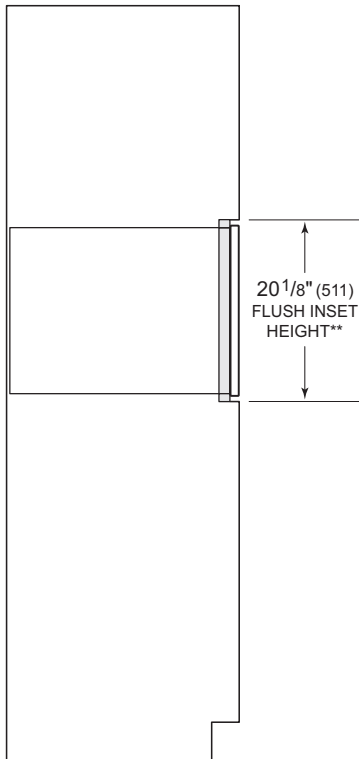
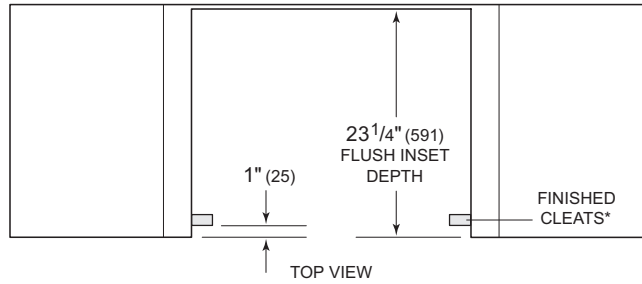


FRONT VIEW

| OPENING WIDTH | W |
|---------------|---------------|
| 27" Trim | 25 1/4" (641) |
| 30" Trim | 27 1/2" (699) |

Convection Microwave Oven

FLUSH INSET INSTALLATION WITH TRIM



SIDE VIEW

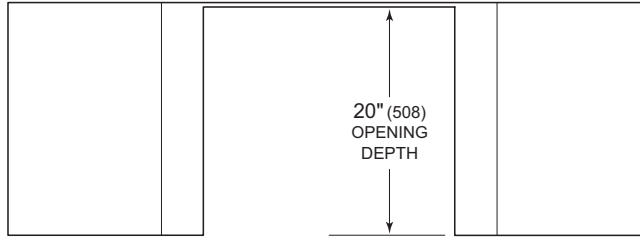
FRONT VIEW

*Will be visible and should be finished to match cabinetry.
 **Dimension provides minimum reveals.

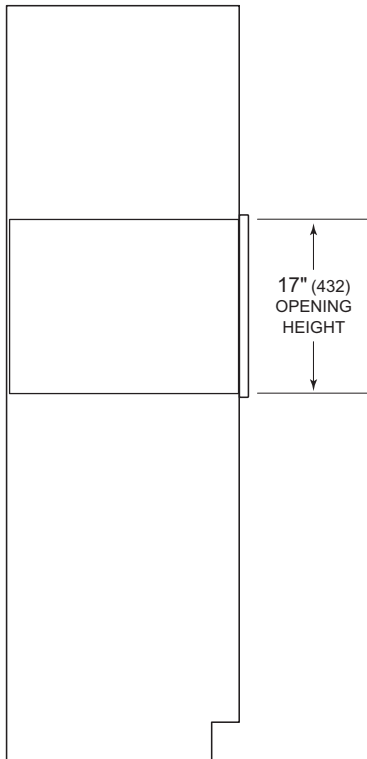
| FLUSH INSET WIDTH | W | A |
|-------------------|--|---------------------------------------|
| 27" Trim | 27 ¹ / ₈ " (689) | 1 ⁵ / ₁₆ " (24) |
| 30" Trim | 30 ¹ / ₈ " (765) | 1 ³ / ₁₆ " (30) |

Standard Microwave Oven

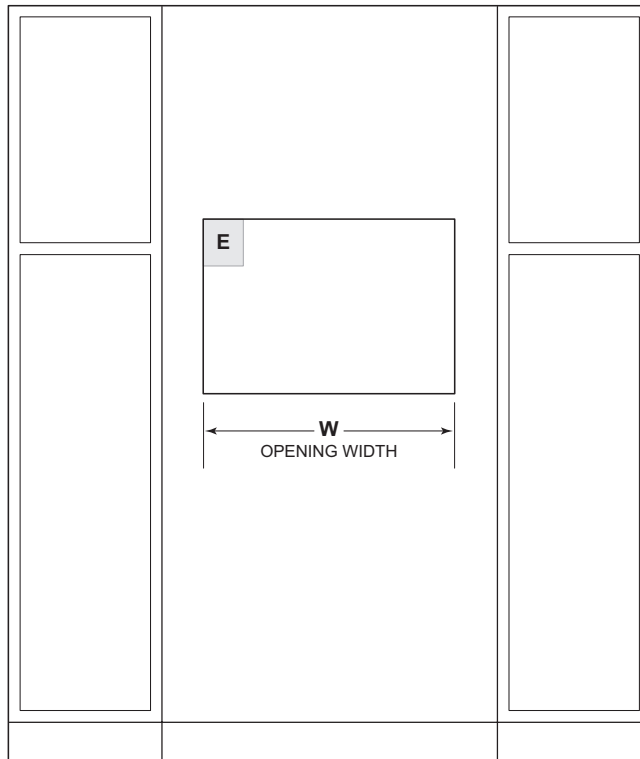
STANDARD INSTALLATION WITH TRIM



TOP VIEW



SIDE VIEW

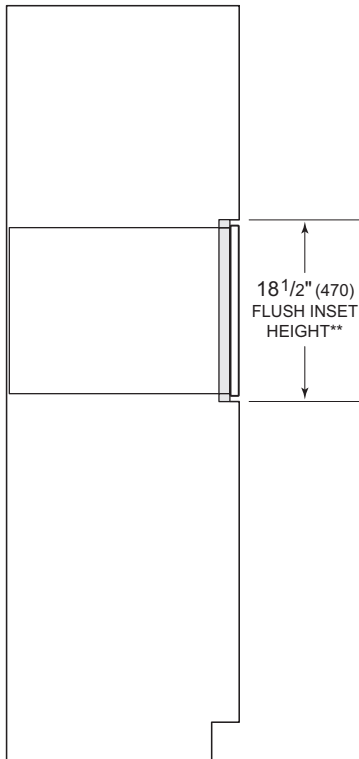
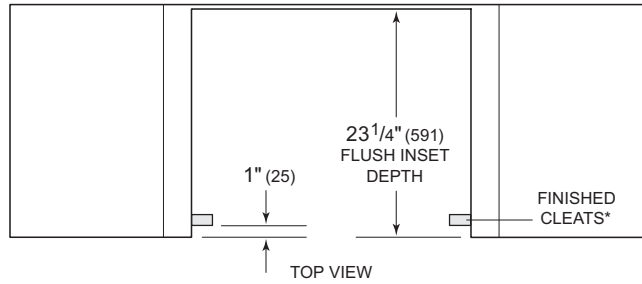


FRONT VIEW

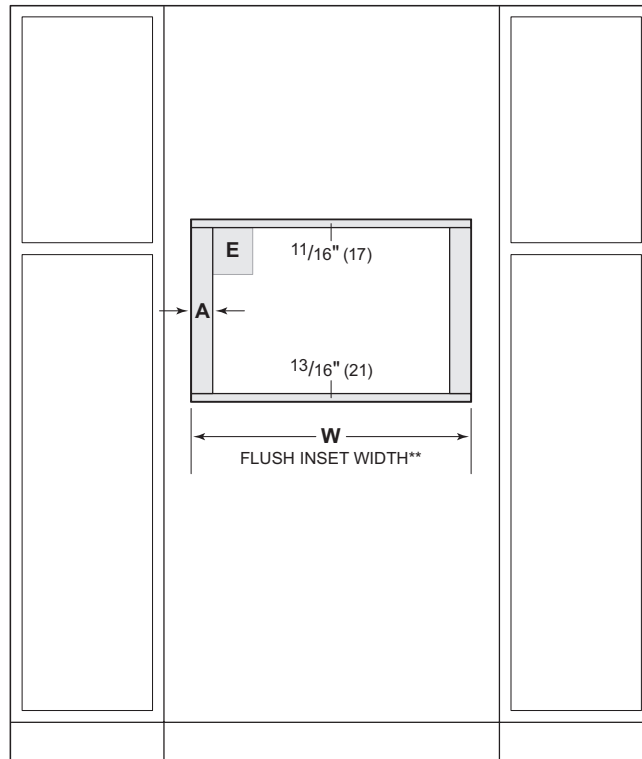
| OPENING WIDTH | W |
|---------------|------------|
| 27" Trim | 25¼" (641) |
| 30" Trim | 27½" (699) |

Standard Microwave Oven

FLUSH INSET INSTALLATION WITH TRIM



SIDE VIEW



FRONT VIEW

*Will be visible and should be finished to match cabinetry.
 **Dimension provides minimum reveals.

| FLUSH INSET WIDTH | W | A |
|-------------------|--|---------------------------------------|
| 27" Trim | 27 ¹ / ₈ " (689) | 1 ⁵ / ₁₆ " (24) |
| 30" Trim | 30 ¹ / ₈ " (765) | 1 ³ / ₁₆ " (30) |

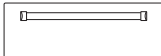
Warming Drawers

WARMING DRAWER FRONTS

M SERIES



TRANSITIONAL



PROFESSIONAL

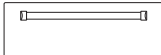


CONTEMPORARY

E SERIES



TRANSITIONAL



PROFESSIONAL

INTEGRATED



CUSTOM PANEL



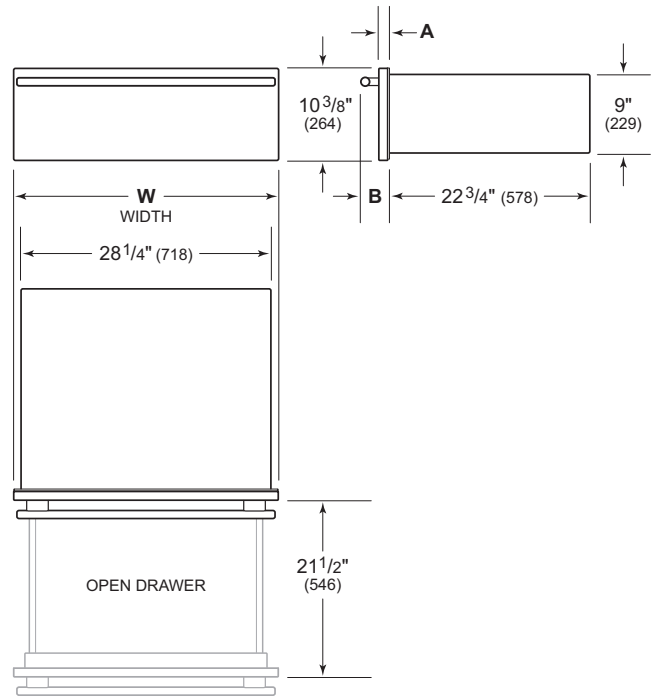
Warming Drawers

DRAWER FRONT OPTIONS

Wolf Warming Drawer fronts allow for many design options, but the warming drawer itself will be the same for all applications. A panel mounting kit is required when installing a custom panel. The panel mounting kit is available through an authorized Wolf dealer. For local dealer information, visit the find a showroom section of our website, wolfappliance.com.

The 2" (51) thick drawer front, in 30" and 36" widths, is designed to be installed below a Wolf Sealed Burner Rangetop or Outdoor Grill, so the panel aligns properly with the front of the rangetop or grill. Dimensions for the warming drawer remain the same, even though the drawer front may be wider to match the Sealed Burner Rangetop or Outdoor Grill.

DIMENSIONS



STAINLESS STEEL DRAWER FRONT

| WIDTH | W |
|------------------|--|
| 30" Drawer Front | 29 ⁷ / ₈ " (759) |
| 36" Drawer Front | 35 ⁷ / ₈ " (911) |

| M/E SERIES | A | B |
|----------------------|--------------------------------------|---------------------------------------|
| Stainless | ⁷ / ₈ " (22) | 3 ¹ / ₄ " (83) |
| Black | 1" (25) | 3 ³ / ₈ " (86) |
| Stainless (2" thick) | 2 ¹ / ₈ " (54) | 4 ¹ / ₂ " (114) |

INTEGRATED DRAWER FRONT

| CUSTOM PANEL | W | H | D |
|----------------------|--|--|------------------------------------|
| Dimensions (typical) | 29 ⁷ / ₈ " (759) | 10 ³ / ₈ " (264) | ³ / ₄ " (19) |
| Min Thickness | | | ⁵ / ₈ " (16) |

Planning Information

The Warming Drawer must be installed with a Wolf drawer front, available through an authorized Wolf dealer. For local dealer information, visit the find a showroom section of our website, wolfappliance.com. Specific installation instructions are included with the drawer front.

The Warming Drawer can be installed in a standard or flush inset application.

For a standard installation, the drawer collar and front panel sit proud of the cabinet face frame. A recessed installation requires the cabinetry be recessed by $\frac{3}{16}$ " (5) so the collar is flush with the cabinet face frame but the drawer front will sit proud. A flush inset installation requires the drawer collar and front panel be recessed to be flush with surrounding cabinetry. Refer to illustrations on the following pages for minimum cabinet dimensions for your specific installation.

Finish the edges of the opening. They may be visible when the drawer is open.

For standard installations, the face trim will overlap stiles and rails. Refer to the chart below.

For flush inset installations, a minimum $\frac{1}{8}$ " (3) reveal is required on all sides. To ensure consistent reveals, each corner of the opening must be exactly 90°.

INSTALLATION REQUIREMENTS

| | |
|-----------------------------------|----------------------|
| Min Base Support | 200 lb (90 kg) |
| Trim Overlap (top, bottom, sides) | $\frac{5}{8}$ " (16) |

Planning Information

ELECTRICAL REQUIREMENTS

Installation must comply with all applicable electrical codes.

Locate the electrical supply flush with the back wall and within the shaded area shown in the illustrations on the following pages. For ease of installation, the electrical supply for the warming drawer can be placed in an adjacent cabinet within reach of the power cord.

IMPORTANT NOTE: When installed outdoors, a ground fault circuit interrupter (GFCI) is required to reduce the risk of electrical shock.

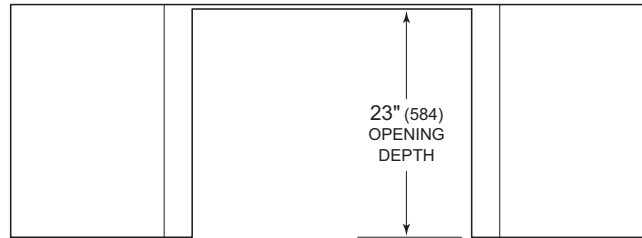
ELECTRICAL REQUIREMENTS

| | |
|-------------------|--------------------------|
| Electrical Supply | grounded, 120 VAC, 60 Hz |
| Service | 15 amp dedicated circuit |
| Receptacle | 3-prong grounding-type |
| Power Cord | 3' (.9 m) |

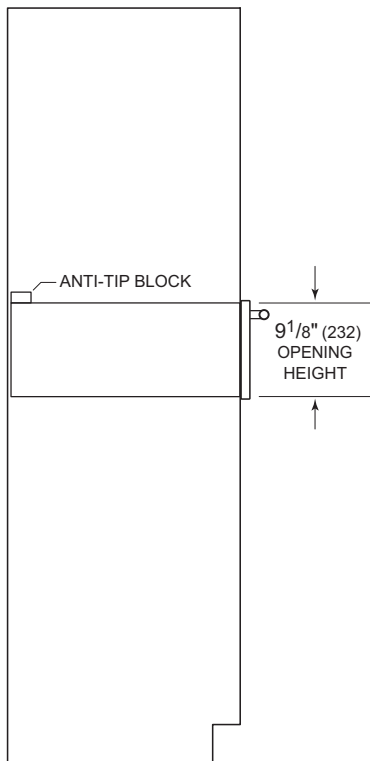
Warming Drawers

Warming Drawer

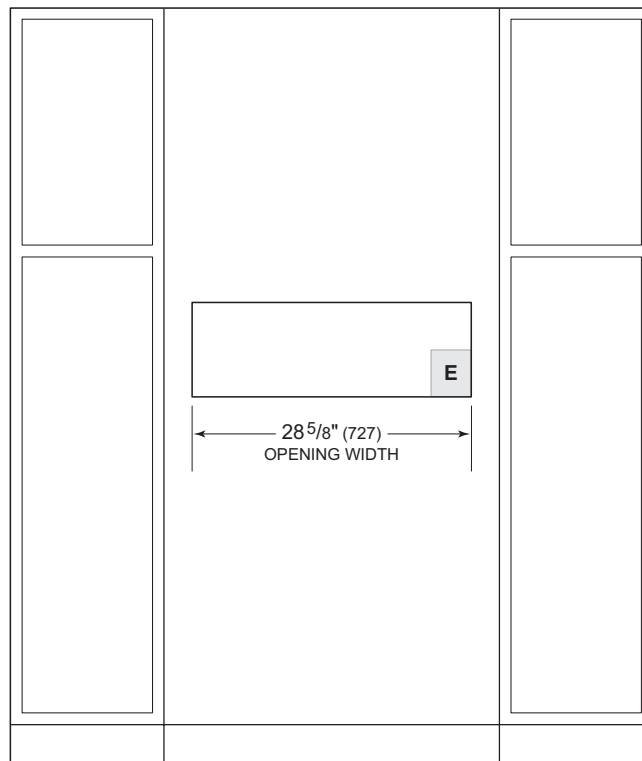
STANDARD INSTALLATION



TOP VIEW



SIDE VIEW

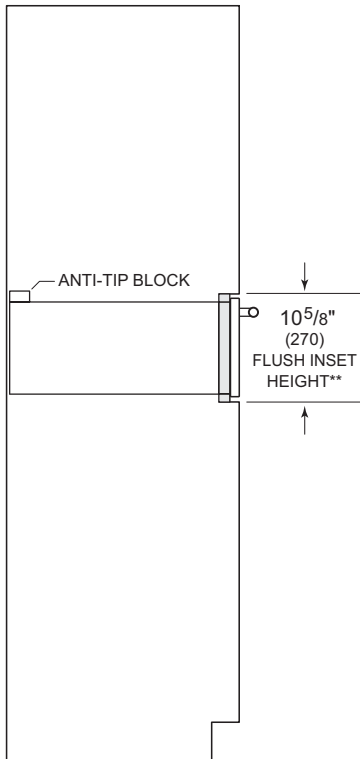
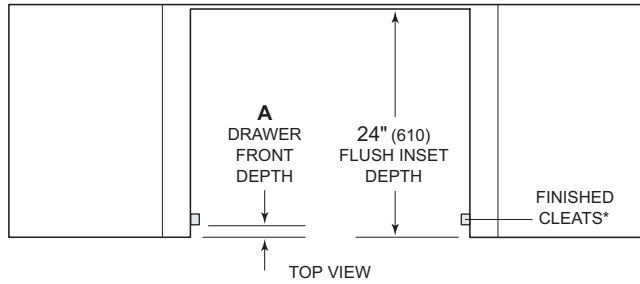


FRONT VIEW

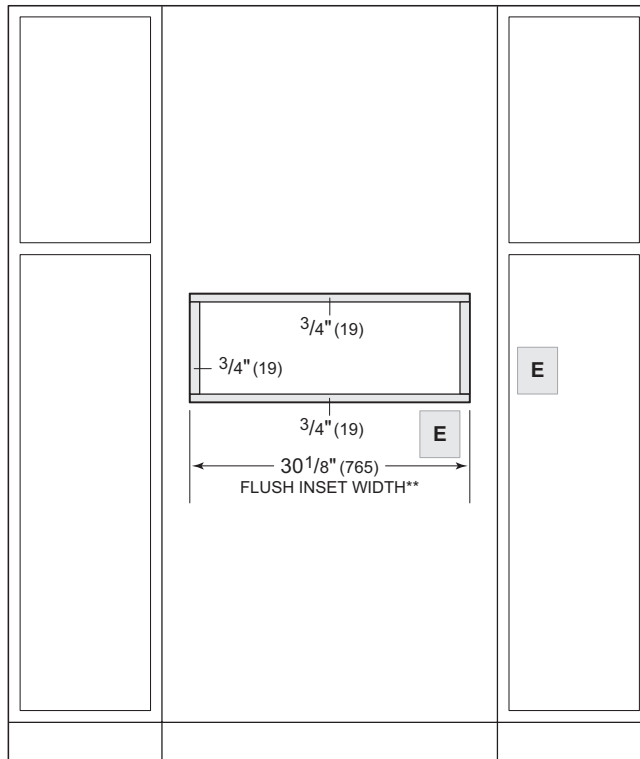
NOTE: Location of electrical supply within opening may require additional cabinet depth.

Warming Drawer

FLUSH INSET INSTALLATION



SIDE VIEW



FRONT VIEW

*Will be visible and should be finished to match cabinetry.

**Dimension provides minimum reveals.

NOTE: Location of electrical supply within opening may require additional cabinet depth.

| M/E SERIES DRAWER FRONT DEPTH | A |
|-------------------------------|-------------|
| Stainless | 1 1/8" (29) |
| Black | 1 3/8" (35) |
| Stainless (2" thick) | 2 1/8" (54) |

Custom front panel depth is dependent on panel thickness. Add 1/4" (6) to the panel thickness to determine the drawer front depth.

Induction Cooktops

MODELS

TRANSITIONAL



CI30460T/S



CI36560T/S

CONTEMPORARY

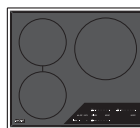


CI30460C/B

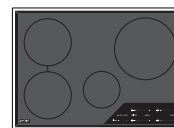


CI36560C/B

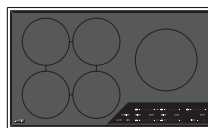
TRANSITIONAL FRAMED



CI243TF/S



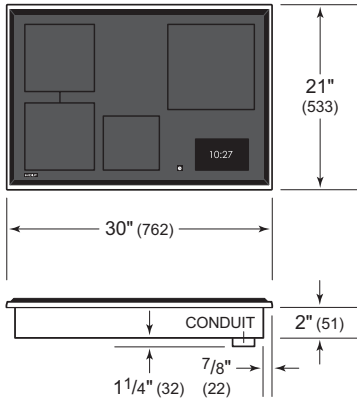
CI304TF/S



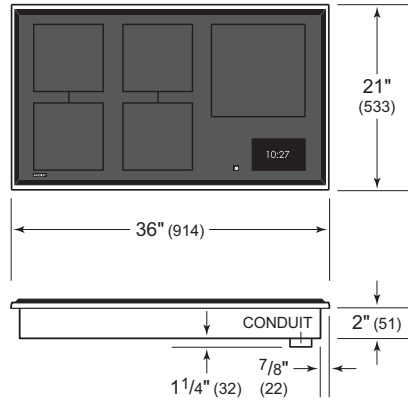
CI365TF/S

Induction Cooktops

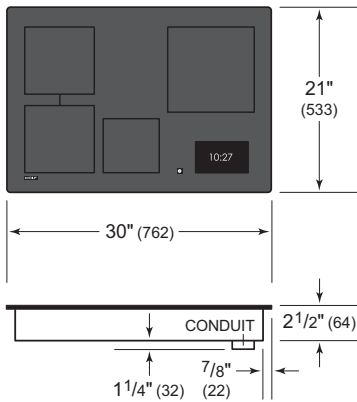
30" TRANSITIONAL



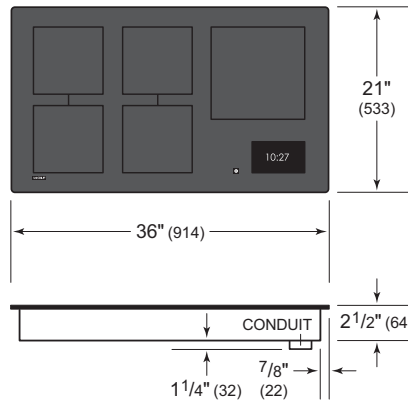
36" TRANSITIONAL



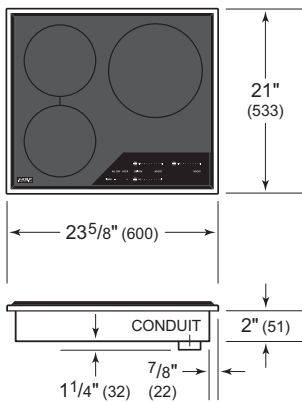
30" CONTEMPORARY



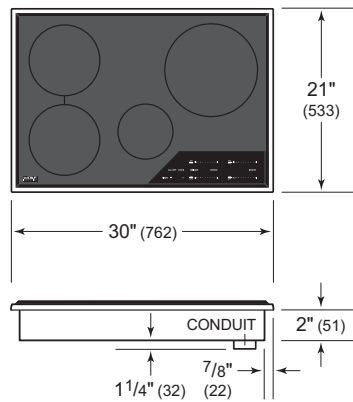
36" CONTEMPORARY



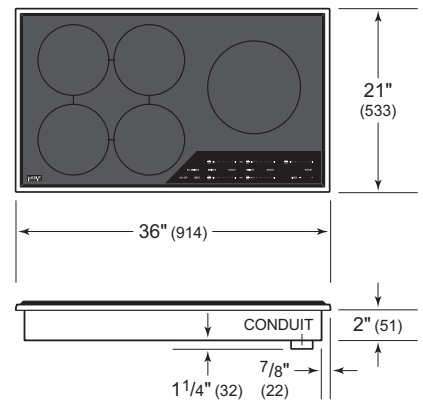
24" TRANSITIONAL FRAMED



30" TRANSITIONAL FRAMED



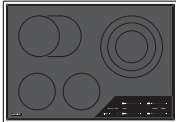
36" TRANSITIONAL FRAMED



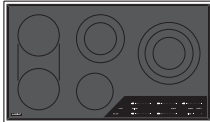
Electric Cooktops

MODELS

TRANSITIONAL



CE304T/S



CE365T/S

CONTEMPORARY



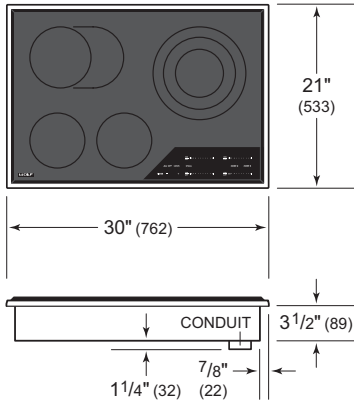
CE304C/B



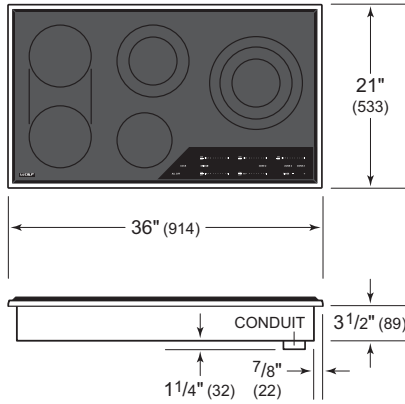
CE365C/B

Electric Cooktops

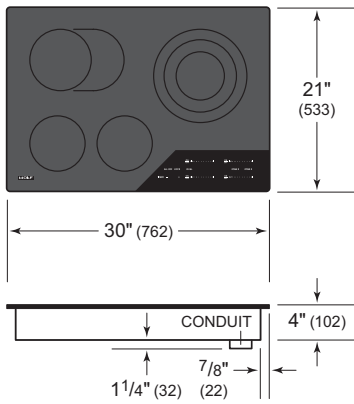
30" TRANSITIONAL



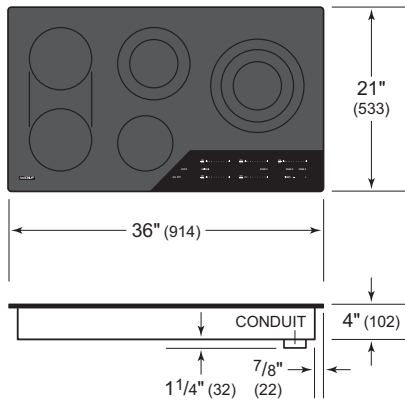
36" TRANSITIONAL



30" CONTEMPORARY



36" CONTEMPORARY



Planning Information

A minimum 2" (51) is required from the bottom of the cooktop to combustible materials.

Clearance is required for the conduit located at the right rear of the cooktop. Refer to the illustrations on the previous pages for dimensions for Induction and Electric Cooktops. Refer to the illustrations on the following pages for additional minimum clearances.

FLUSH INSTALLATION

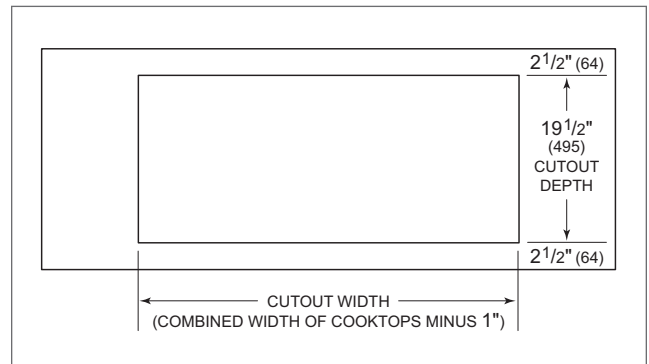
Contemporary Induction and Electric Cooktops can be mounted flush with the top of the countertop or as a frameless standard installation sitting on top of the countertop surface. If the cooktop is to be mounted flush with the countertop, a recessed area surrounding the cooktop cutout must be provided.

IMPORTANT NOTE: Flush mount installations are intended for granite, solid surface, or stone countertop surfaces only.

MULTIPLE COOKTOPS

When multiple cooktops or modules are installed side by side, the countertop cutout width is determined by adding the width of each unit, then subtracting 1" (25). Refer to the illustration below.

IMPORTANT NOTE: Contemporary Induction and Electric Cooktops are not designed to be installed in combination with other cooktops.



Countertop cutout

Electrical Requirements

Installation must comply with all applicable electrical codes.

Refer to the illustrations on the following pages for location of the electrical supply for Induction and Electric Cooktops. A separate circuit servicing only this appliance is required. A ground fault circuit interrupter (GFCI) is not recommended and may cause interruption of operation.

When multiple cooktops are installed side by side, each unit must have its own separate recommended electrical circuit.

ELECTRICAL REQUIREMENTS

INDUCTION

| | |
|-------------------|-------------------------------------|
| Electrical Supply | grounded 3-wire, 240/208 VAC, 60 Hz |
| Conduit | flexible 4' (1.2 m) |

ELECTRIC

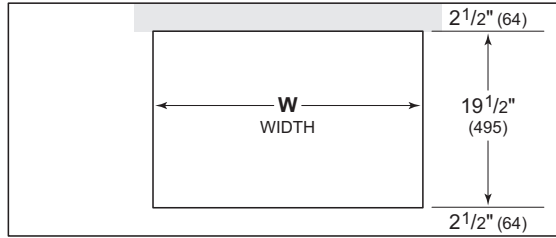
| | |
|---------------------------|---------------------------------|
| Electrical Supply | grounded 3-wire, 240 VAC, 60 Hz |
| Electrical Supply (208 V) | grounded 3-wire, 208 VAC, 60 Hz |
| Conduit | flexible 4' (1.2 m) |

SERVICE

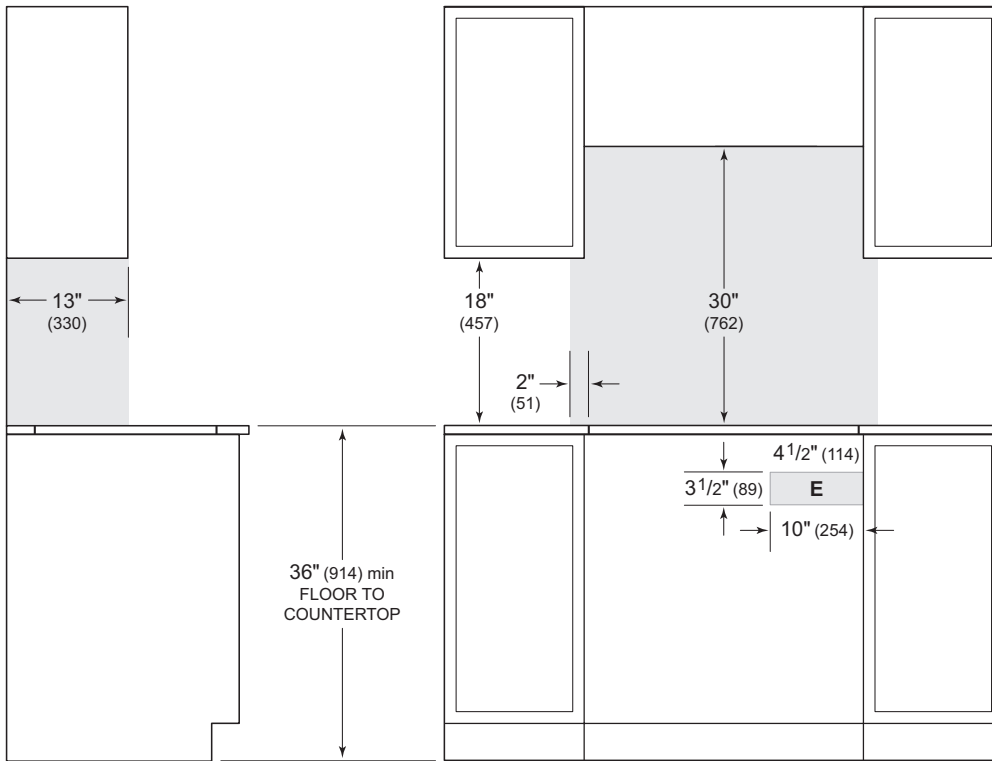
| | |
|------------------------|--------------------------|
| 24" Induction | 30 amp dedicated circuit |
| 30" Induction/Electric | 40 amp dedicated circuit |
| 36" Induction/Electric | 50 amp dedicated circuit |

24" / 30" / 36" Cooktop

STANDARD INSTALLATION



COUNTERTOP CUTOUT



SIDE VIEW

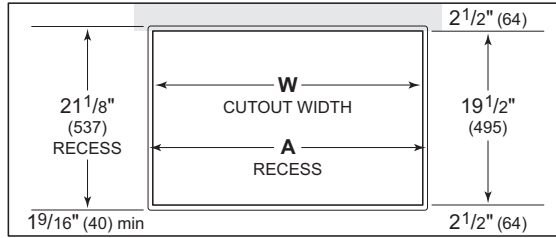
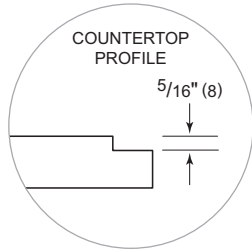
FRONT VIEW

*NOTE: Shaded area above countertop indicates minimum clearance to combustible surfaces, combustible materials cannot be located within this area.
Electrical supply location only applies to installations with built-in oven.*

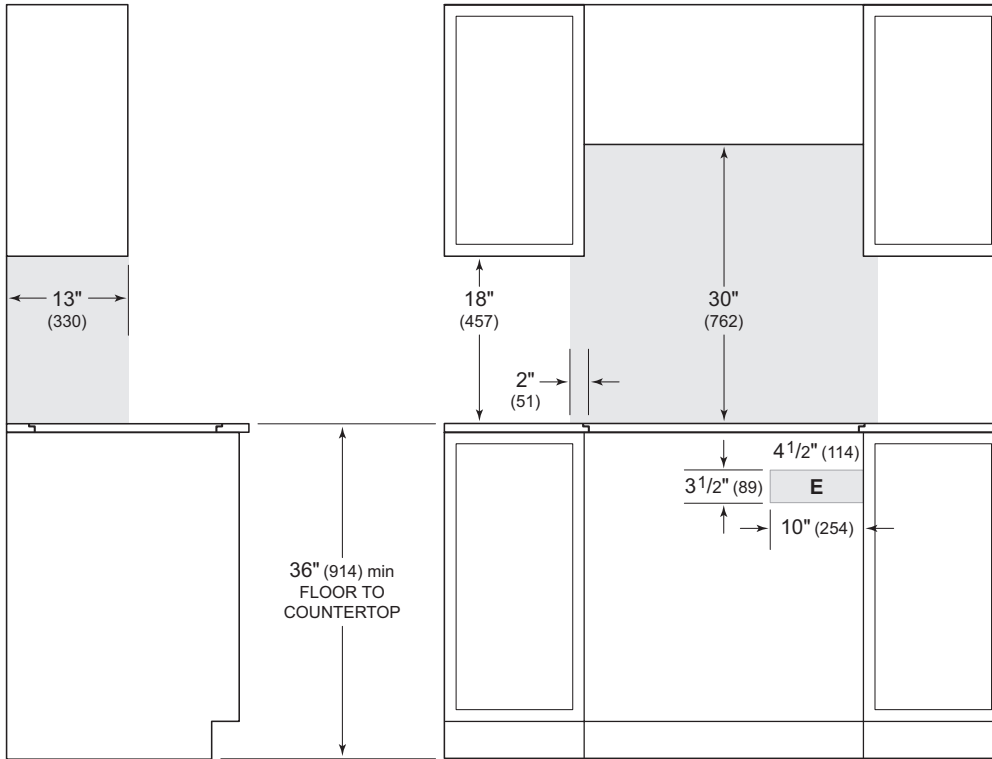
| CUTOUT WIDTH | W |
|------------------------|---------------|
| 24" Induction | 22 1/8" (562) |
| 30" Induction/Electric | 29" (737) |
| 36" Induction/Electric | 35" (889) |

24" / 30" / 36" Cooktop

FLUSH INSTALLATION



COUNTERTOP CUTOUT



SIDE VIEW

FRONT VIEW

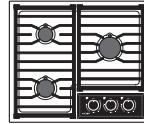
*NOTE: Shaded area above countertop indicates minimum clearance to combustible surfaces, combustible materials cannot be located within this area.
Electrical supply location only applies to installations with built-in oven.
Outside corner radius 7/16" (11).*

| CUTOUT WIDTH | W | A |
|------------------------|---------------|---------------|
| 24" Induction | 22 1/8" (562) | 23 3/4" (603) |
| 30" Induction/Electric | 29" (737) | 30 1/8" (765) |
| 36" Induction/Electric | 35" (889) | 36 1/8" (918) |

Gas Cooktops

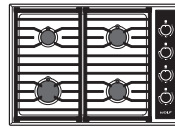
MODELS

TRANSITIONAL FRAMED

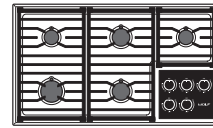


CG243TF/S

TRANSITIONAL

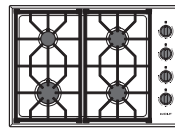


CG304T/S

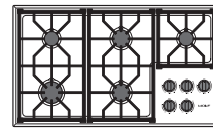


CG365T/S

PROFESSIONAL

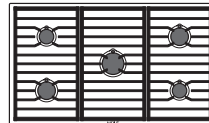


CG304P/S



CG365P/S

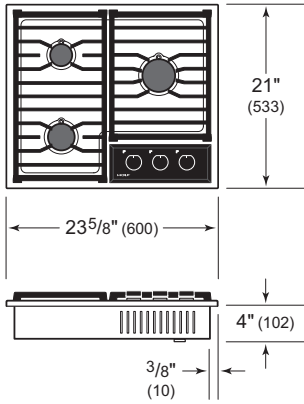
CONTEMPORARY



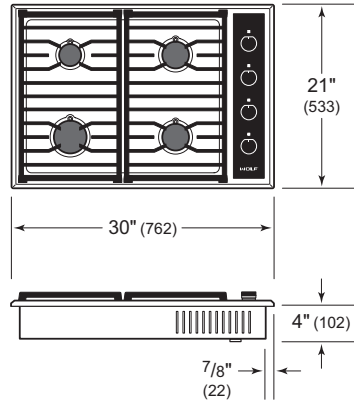
CG365C/S

Gas Cooktops

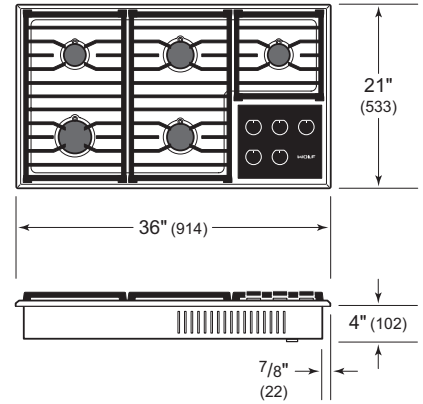
24" TRANSITIONAL



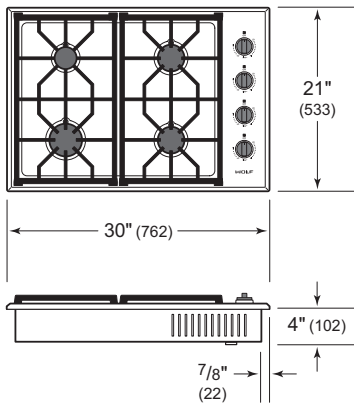
30" TRANSITIONAL



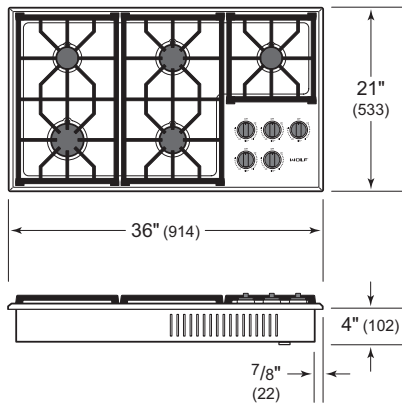
36" TRANSITIONAL



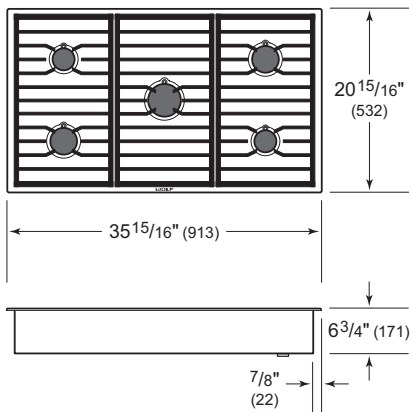
30" PROFESSIONAL



36" PROFESSIONAL



36" CONTEMPORARY



Planning Information

A minimum 2" (51) is required from the bottom of the cooktop to combustible materials. If the cooktop is installed above an oven, a minimum of 1/4" (6) is required between the units.

The Contemporary Gas Cooktop can be mounted flush with the top of the countertop, or as a standard installation sitting on top of the countertop surface. If the cooktop is to be mounted flush with the countertop, a recessed area surrounding the cooktop cutout must be provided. The countertop must be able to withstand temperatures up to 300°F (149°C).

Control knobs for the Contemporary Gas Cooktop are designed to be mounted on the front face of cabinetry below the unit. Mounting holes must be drilled through the cabinet face. Refer to the illustrations on pages 76–77 for the hole location.

ELECTRICAL REQUIREMENTS

Installation must comply with all applicable electrical codes.

Locate the electrical supply as shown in the illustrations on the following pages. A separate circuit servicing only this appliance is required. A ground fault circuit interrupter (GFCI) is not recommended and may cause interruption of operation.

ELECTRICAL REQUIREMENTS

| | |
|-------------------|--------------------------|
| Electrical Supply | grounded, 120 VAC, 60 Hz |
| Service | 15 amp dedicated circuit |
| Receptacle | 3-prong grounding-type |
| Power Cord | 6' (1.8 m) |

GAS SUPPLY

Installation must comply with all applicable gas codes.

If local codes permit, a certified, 3' (.9 m) long, 1/2" (13) or 3/4" (19) ID flexible metal appliance connector is recommended.

Wolf natural gas cooktops will function up to 10,250' (3124 m) in altitude without adjustment and LP gas cooktops will function up to 8,600' (2621 m). If the installation exceeds these elevations, contact an authorized Wolf dealer for a high altitude conversion kit.

GAS REQUIREMENTS

| | |
|------------|---------------|
| Gas Supply | 3/4" ID line |
| Gas Inlet | 1/2" NPT male |

NATURAL GAS

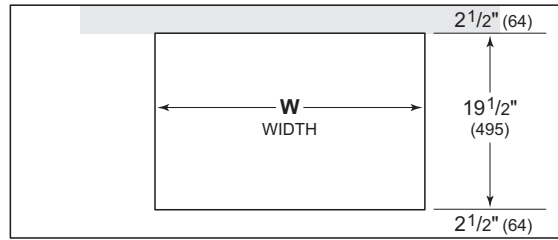
| | | |
|------------------------|---------------------------------|-----------|
| Supply Pressure | 5" (12.5 mb) | WC |
| Min Line Pressure | 7" (17.5 mb) | |
| Max Regulator Pressure | 14" (34.9 mb), .5 psi (3.5 kPa) | |

LP GAS

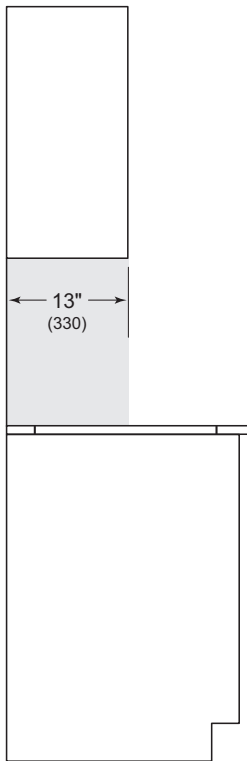
| | | |
|------------------------|---------------------------------|-----------|
| Supply Pressure | 10" (25 mb) | WC |
| Min Line Pressure | 11" (27.4 mb) | |
| Max Regulator Pressure | 14" (34.9 mb), .5 psi (3.5 kPa) | |

24" / 30" / 36" Transitional / Professional Gas Cooktop

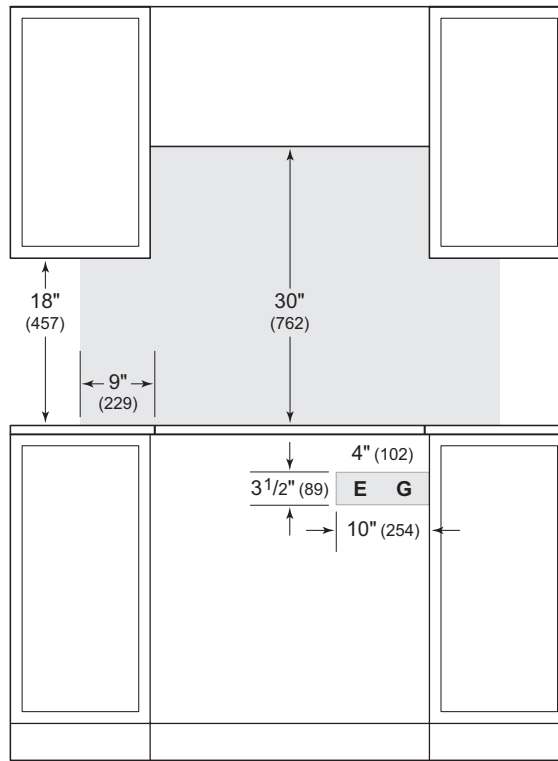
STANDARD INSTALLATION



COUNTERTOP CUTOUT



SIDE VIEW



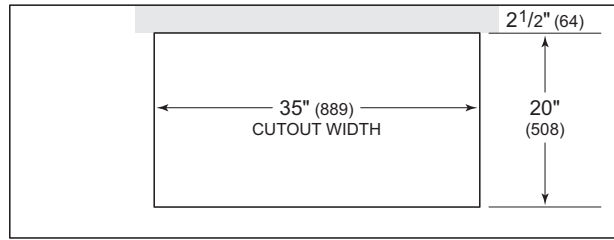
FRONT VIEW

*NOTE: Shaded area above countertop indicates minimum clearance to combustible surfaces, combustible materials cannot be located within this area.
Electrical and gas supply location only applies to installations with built-in oven.*

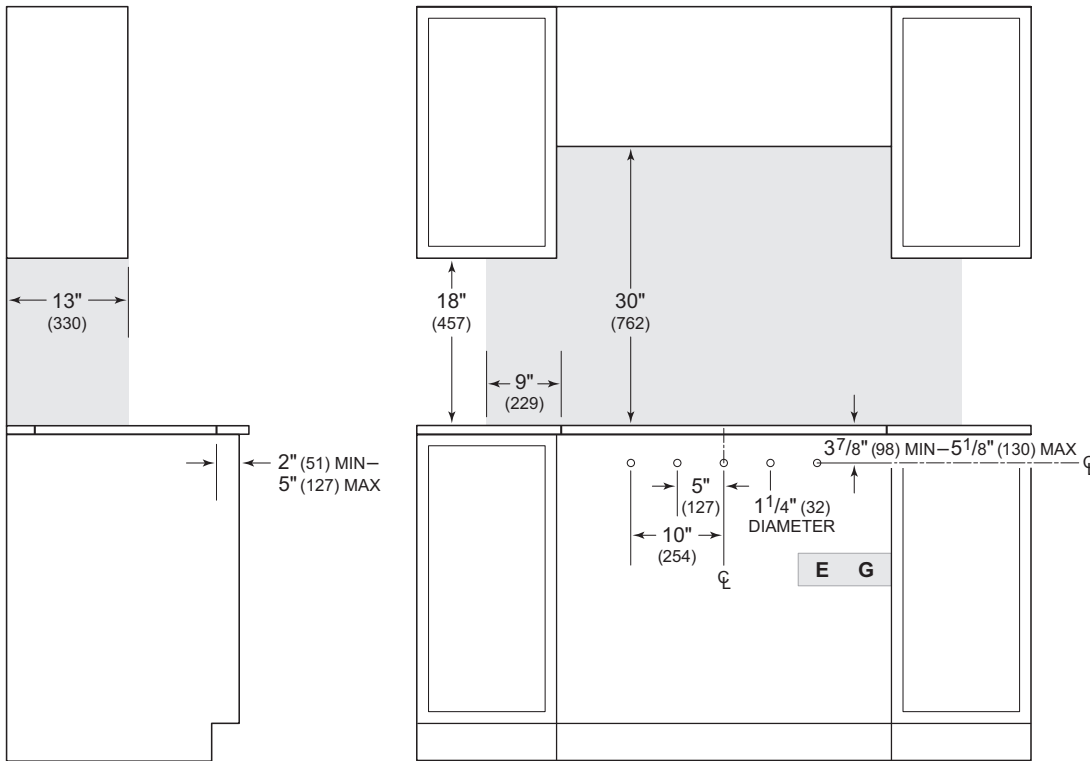
| CUTOUT WIDTH | W |
|-------------------------------|-----------|
| 24" Transitional | 23" (584) |
| 30" Transitional/Professional | 29" (737) |
| 36" Transitional/Professional | 35" (889) |

36" Contemporary Gas Cooktop

STANDARD INSTALLATION



COUNTERTOP CUTOUT



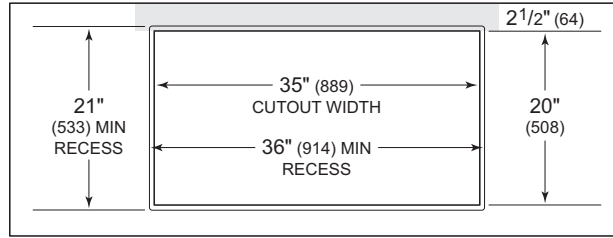
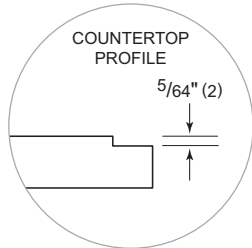
SIDE VIEW

FRONT VIEW

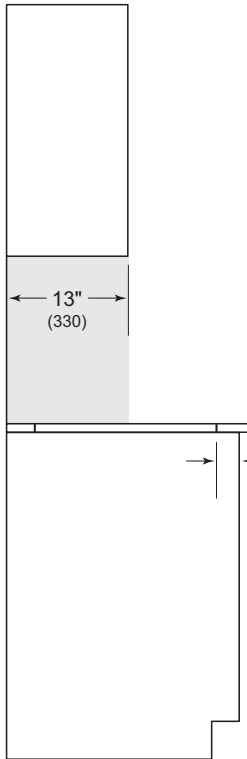
*NOTE: Shaded area above countertop indicates minimum clearance to combustible surfaces, combustible materials cannot be located within this area.
Maximum facade thickness 1" (25). 1" (25) thickness extends 17" (432) left and right and 2" (51) above and below centerlines.*

36" Contemporary Gas Cooktop

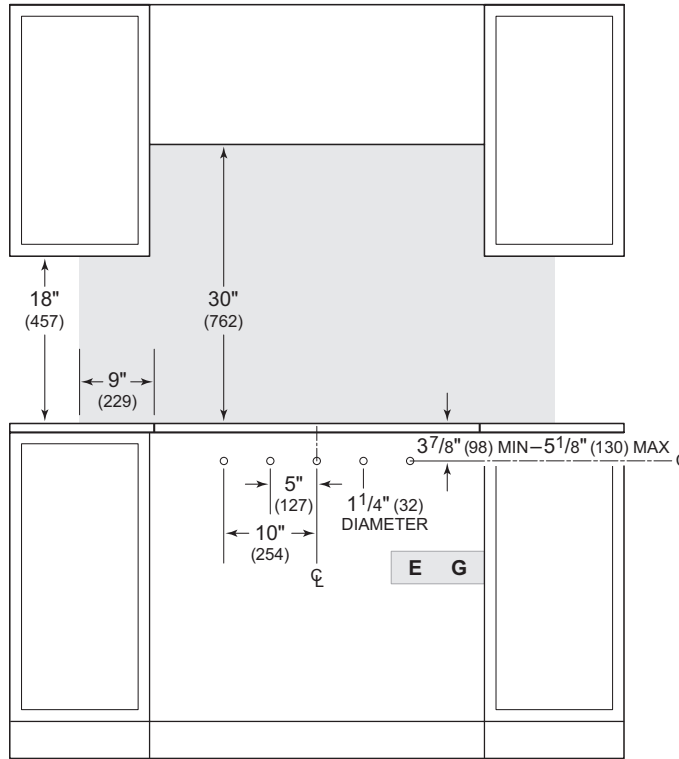
FLUSH INSTALLATION



COUNTERTOP CUTOUT



SIDE VIEW



FRONT VIEW

*NOTE: Shaded area above countertop indicates minimum clearance to combustible surfaces, combustible materials cannot be located within this area.
Maximum facade thickness 1" (25). 1" (25) thickness extends 17" (432) left and right and 2" (51) above and below centerlines.
Outside corner radius 3/8" (10).*

Module Cooktops

MODELS



CI152TF/S
INDUCTION



SM15TF/S
STEAMER



FM15TF/S
FRYER



GM15TF/S
GRILL



TM15TF/S
TEPPANYAKI



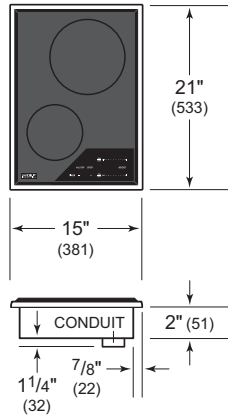
CG152TF/S
GAS



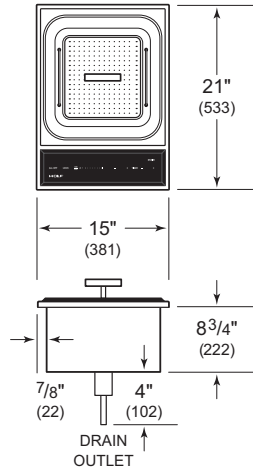
MM15TF/S
MULTI-FUNCTION

Module Cooktops

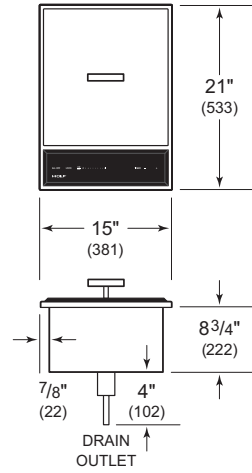
INDUCTION



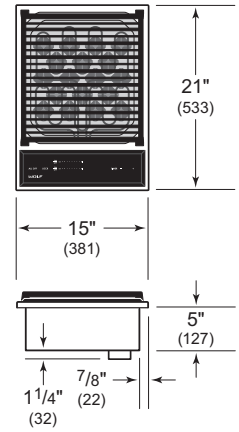
STEAMER



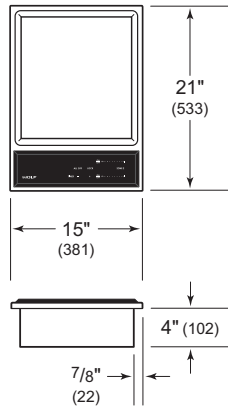
FRYER



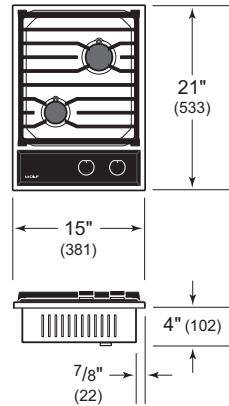
GRILL



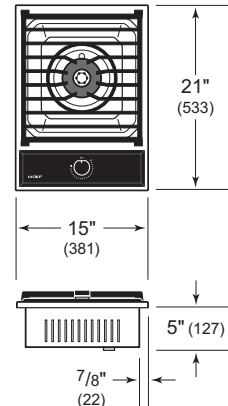
TEPPANYAKI



GAS



MULTIFUNCTION



Planning Information

IMPORTANT NOTE: Wolf does not recommend the use of downdraft ventilation with the Steamer, Fryer, or Grill Modules.

A minimum 2" (51) is required from the bottom of the module to combustible materials. For the Teppanyaki Module, a minimum 7/8" (22) is required from the bottom of the unit to any material.

Refer to the illustrations on the following pages for installation of Module Cooktops.

MULTIPLE COOKTOPS

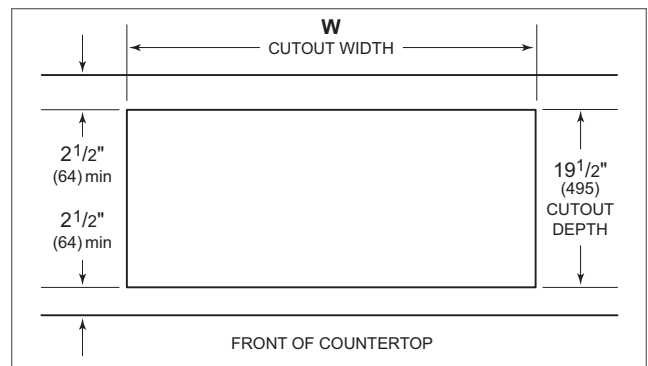
When multiple cooktops or modules are installed side by side, refer to the chart and illustration below for typical configurations. The cutout dimensions provided will accommodate the use of an optional filler strip if desired.

For specific multiple cooktop and module configuration options or the installation of more than six modules, contact Wolf Customer Care at 800-222-7820.

| COUNTERTOP CUTOUT | W |
|------------------------------|-------------|
| (2) 15" Modules* | 29" (737) |
| (3) 15" Modules* | 44" (1118) |
| (4) 15" Modules* | 59¼" (1505) |
| (5) 15" Modules* | 74¼" (1886) |
| (6) 15" Modules* | 89¼" (2267) |
| 24" Cooktop**/15" Module* | 37⅝" (956) |
| 30" Cooktop/15" Module* | 44" (1118) |
| 30" Cooktop/(2) 15" Modules* | 59" (1473) |
| 36" Cooktop/15" Module* | 50" (1270) |

*Dimensions apply to CI152TF/S, CG152TF/S, SM15TF/S, FM15TF/S, GM15TF/S, TM15TF/S and MM15TF/S.

**23⅝" actual product width.



Countertop cutout

Planning Information

ELECTRICAL

Installation must comply with all applicable electrical codes.

Locate the electrical supply as shown in the illustrations on the following pages. A separate circuit servicing only this appliance is required.

When multiple cooktops or modules are installed side by side, each must have its own separate electrical supply.

ELECTRICAL REQUIREMENTS

ELECTRIC MODULES

| | |
|-----------------------------------|--|
| Electrical Supply | grounded 3-wire, 240/208 VAC, 50/60 Hz |
| Steamer, Fryer, Grill, Teppanyaki | 15 amp dedicated circuit |
| Induction | 20 amp dedicated circuit |
| Conduit | flexible 4' (1.2 m) |

GAS MODULES

| | |
|-------------------|-----------------------------|
| Electrical Supply | grounded, 120 VAC, 50/60 Hz |
| Service | 15 amp dedicated circuit |
| Receptacle | 3-prong grounding-type |
| Power Cord | 6' (1.8 m) |

DRAIN OUTLET

Steamer and Fryer Modules require a method for draining hot water and oil. For the Steamer Module, options include connecting a drain hose from the 5/8" (16) outlet tied into an existing drain, a separate drain with freefall, or placing a heat-resistant receptacle under the drain outlet. For the Fryer Module, the drain outlet must be accessible to drain oil into a heat-resistant receptacle.

Planning Information

GAS SUPPLY

Installation must comply with all applicable gas codes.

If local codes permit, a certified, 3' (.9 m) long, 1/2" (13) or 3/4" (19) ID flexible metal appliance connector is recommended.

When multiple gas cooktops or modules are installed side by side, they can receive their gas supply from a common line. However, each unit must have its own regulator installed between the mainline and the cooktop or module.

Wolf natural gas cooktops will function up to 10,250' (3124 m) in altitude without adjustment and LP gas cooktops will function up to 8,600' (2621 m). If the installation exceeds these elevations, contact an authorized Wolf dealer for a high altitude conversion kit.

GAS REQUIREMENTS

| | |
|------------|--------------|
| Gas Supply | 3/4" ID line |
|------------|--------------|

| | |
|-----------|---------------|
| Gas Inlet | 1/2" NPT male |
|-----------|---------------|

NATURAL GAS

WC

| | |
|-----------------|--------------|
| Supply Pressure | 5" (12.5 mb) |
|-----------------|--------------|

| | |
|-------------------|--------------|
| Min Line Pressure | 7" (17.5 mb) |
|-------------------|--------------|

| | |
|------------------------|---------------------------------|
| Max Regulator Pressure | 14" (34.9 mb), .5 psi (3.5 kPa) |
|------------------------|---------------------------------|

LP GAS

WC

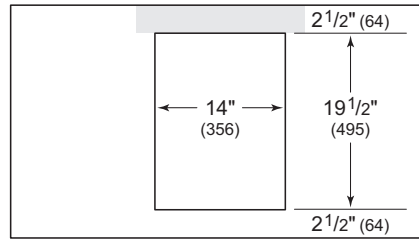
| | |
|-----------------|-------------|
| Supply Pressure | 10" (25 mb) |
|-----------------|-------------|

| | |
|-------------------|---------------|
| Min Line Pressure | 11" (27.4 mb) |
|-------------------|---------------|

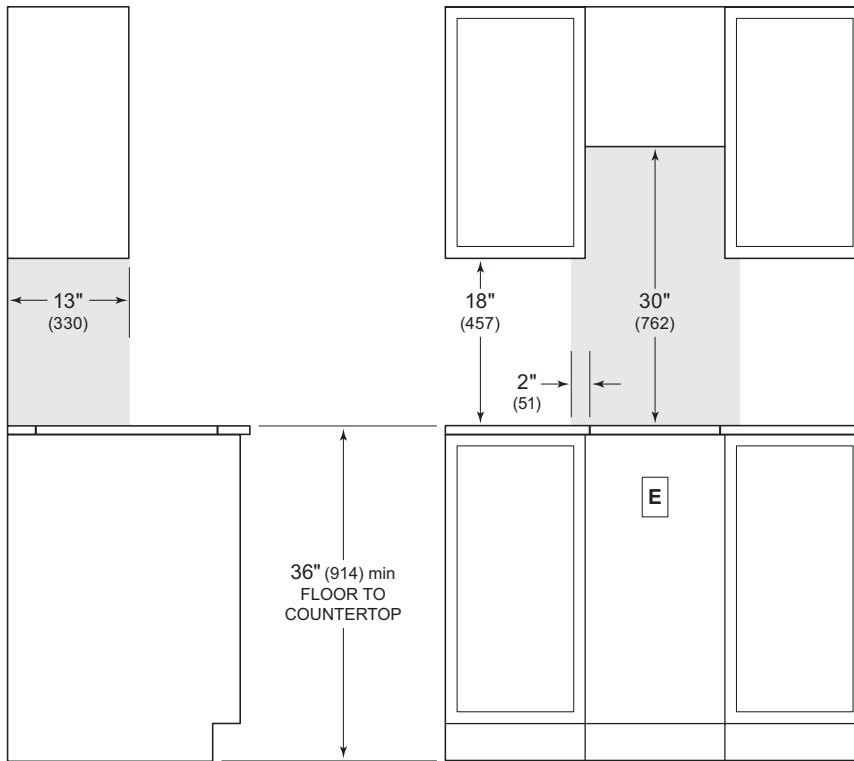
| | |
|------------------------|---------------------------------|
| Max Regulator Pressure | 14" (34.9 mb), .5 psi (3.5 kPa) |
|------------------------|---------------------------------|

Induction Module

STANDARD INSTALLATION



COUNTERTOP CUTOUT



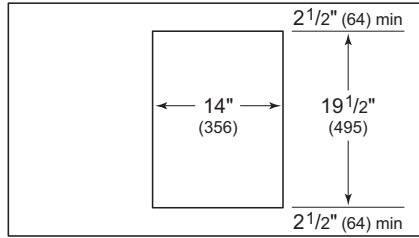
SIDE VIEW

FRONT VIEW

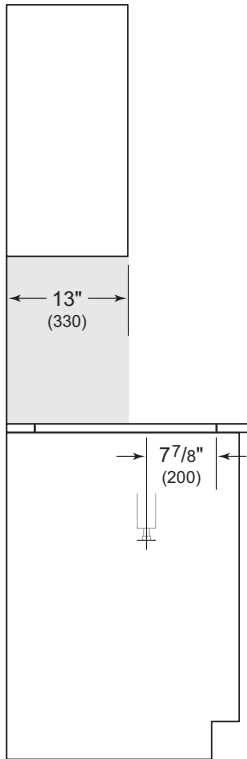
NOTE: Shaded area above countertop indicates minimum clearance to combustible surfaces, combustible materials cannot be located within this area.

Steamer Module

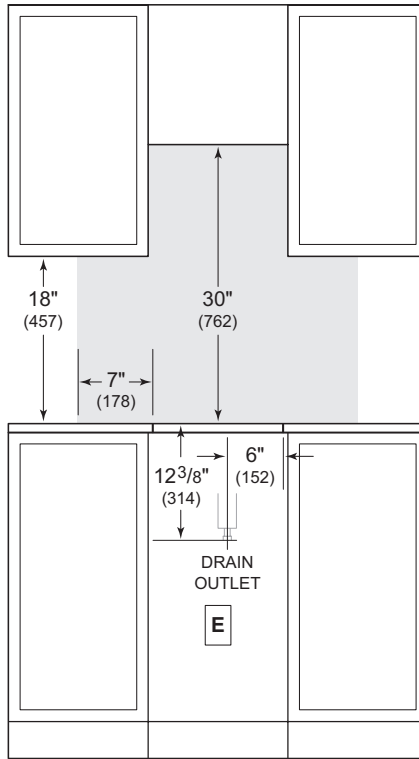
STANDARD INSTALLATION



COUNTERTOP CUTOUT



SIDE VIEW



FRONT VIEW

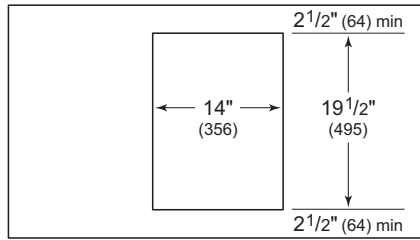
NOTE: Shaded area above countertop indicates minimum clearance to combustible surfaces, combustible materials cannot be located within this area.

⚠ WARNING

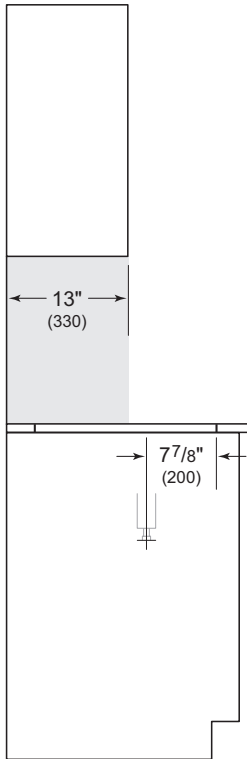
The Steamer Module must be installed at least 15" (381) from a Fryer Module.

Fryer Module

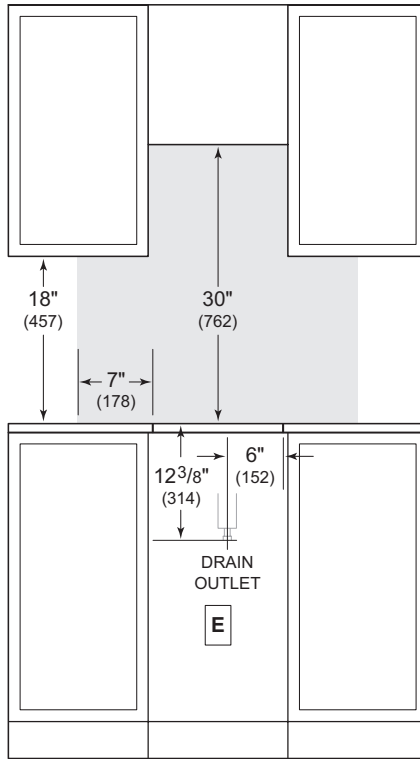
STANDARD INSTALLATION



COUNTERTOP CUTOUT



SIDE VIEW



FRONT VIEW

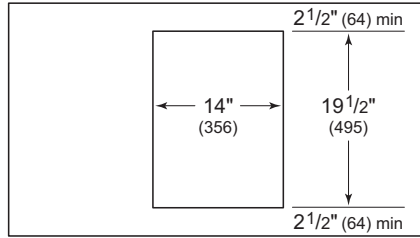
NOTE: Shaded area above countertop indicates minimum clearance to combustible surfaces, combustible materials cannot be located within this area.

⚠ WARNING

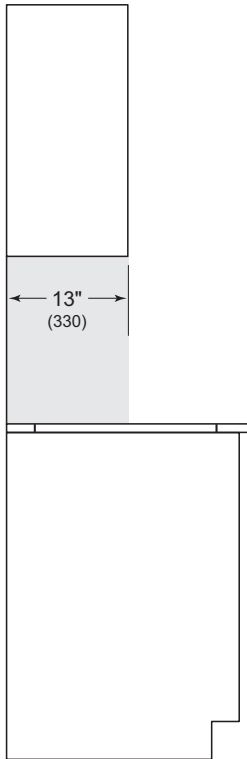
The Fryer Module must be installed at least 15" (381) from any open-flame cooking device or a Steamer Module.

Grill / Teppanyaki Module

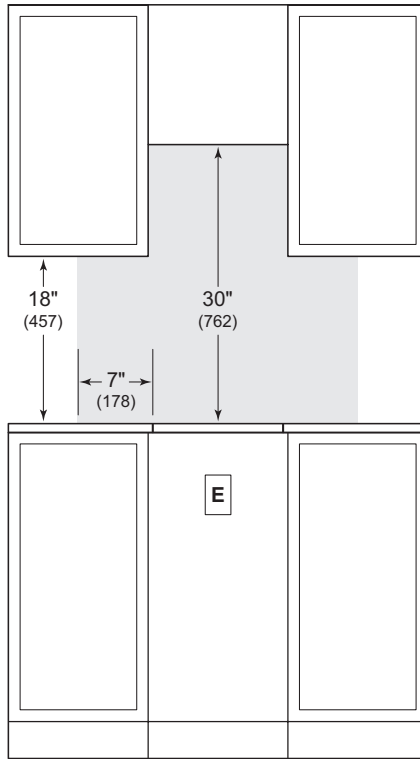
STANDARD INSTALLATION



COUNTERTOP CUTOUT



SIDE VIEW

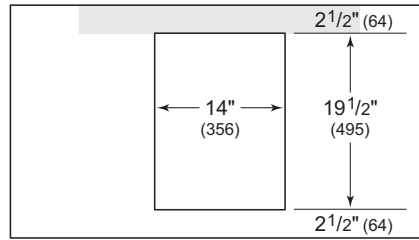


FRONT VIEW

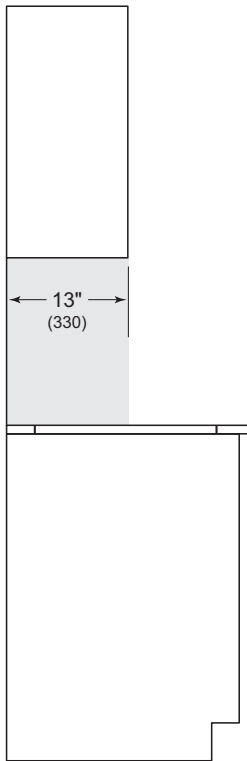
NOTE: Shaded area above countertop indicates minimum clearance to combustible surfaces, combustible materials cannot be located within this area.

Gas / Multifunction Module

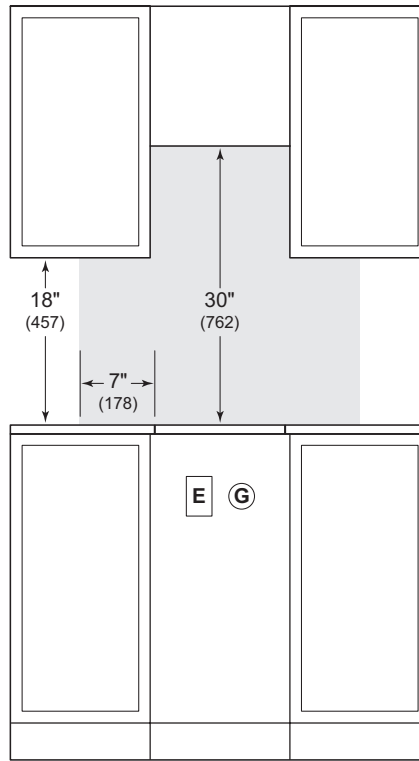
STANDARD INSTALLATION



COUNTERTOP CUTOUT



SIDE VIEW



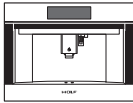
FRONT VIEW

NOTE: Shaded area above countertop indicates minimum clearance to combustible surfaces, combustible materials cannot be located within this area.

Coffee System

MODELS

24" TRANSITIONAL

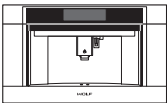


EC2450TE/S

30" TRANSITIONAL



EC3050TE/S

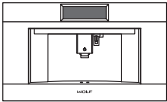


EC3050TM/S

30" PROFESSIONAL



EC3050PE/S

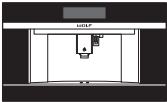


EC3050PM/S

30" CONTEMPORARY



EC3050CM/S

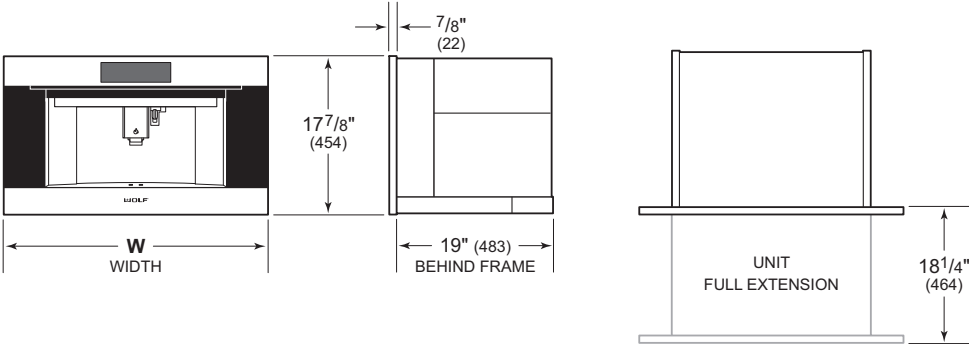


EC3050CM/B



Coffee System

DIMENSIONS



| WIDTH | W |
|-----------|---------------|
| 24" Model | 23 1/2" (597) |
| 30" Model | 29 7/8" (759) |

Planning Information

The Coffee System can be installed in a standard or flush inset application. The sides of the cabinet opening must be adequate to support installation of the mounting slides. Refer to the illustration below.

Finish the edges of the opening.

For standard installations, the face trim overlaps stiles and rails. Refer to the chart below.

For flush inset installations, a minimum $\frac{1}{8}$ " (3) reveal is required on all sides. Each corner of the opening must be exactly 90° to maintain consistent reveals.

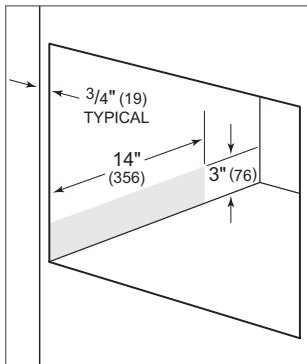
INSTALLATION REQUIREMENTS

Minimum Base Support 100 lb (45 kg)

| TRIM OVERLAP | 24" MODEL | 30" MODEL |
|--------------|------------------------|-----------------------|
| Top | $\frac{3}{16}$ " (5) | $\frac{3}{16}$ " (5) |
| Bottom | 0" (0) | 0" (0) |
| Sides | $1\frac{1}{16}$ " (18) | $3\frac{7}{8}$ " (98) |

COMBINATION INSTALLATIONS

If a Coffee System is installed above a Cup Warming Drawer, specify one opening for both units. To achieve the minimum reveal between the units, place the Coffee System support rails on top of the Cup Warming Drawer, then secure the rails to the sides of the cabinet. Any material between the units will increase the horizontal reveal between the two products.



Slide support

Planning Information

ELECTRICAL REQUIREMENTS

Installation must comply with all applicable electrical codes.

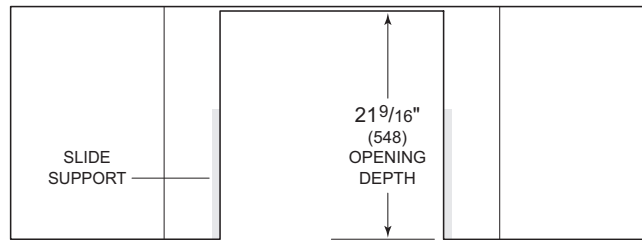
Locate the electrical supply as shown in the illustrations on the following pages. A separate circuit servicing only this appliance is required. A ground fault circuit interrupter (GFCI) is not recommended and may cause interruption of operation.

ELECTRICAL REQUIREMENTS

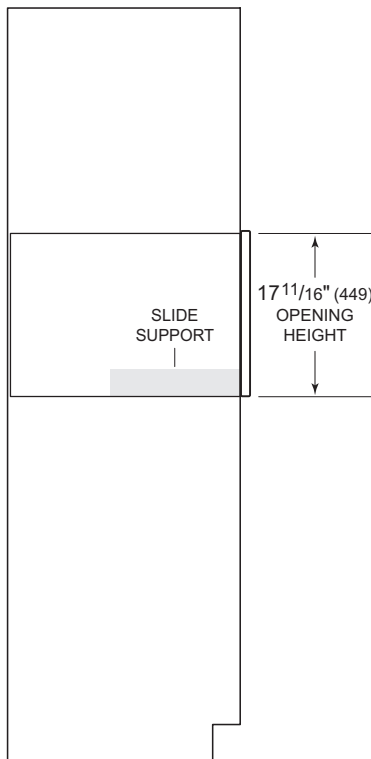
| | |
|-------------------|--------------------------|
| Electrical Supply | grounded, 120 VAC, 60 Hz |
| Service | 15 amp dedicated circuit |
| Receptacle | 3-prong grounding-type |
| Power Cord | 6' (1.8 m) |

Coffee System

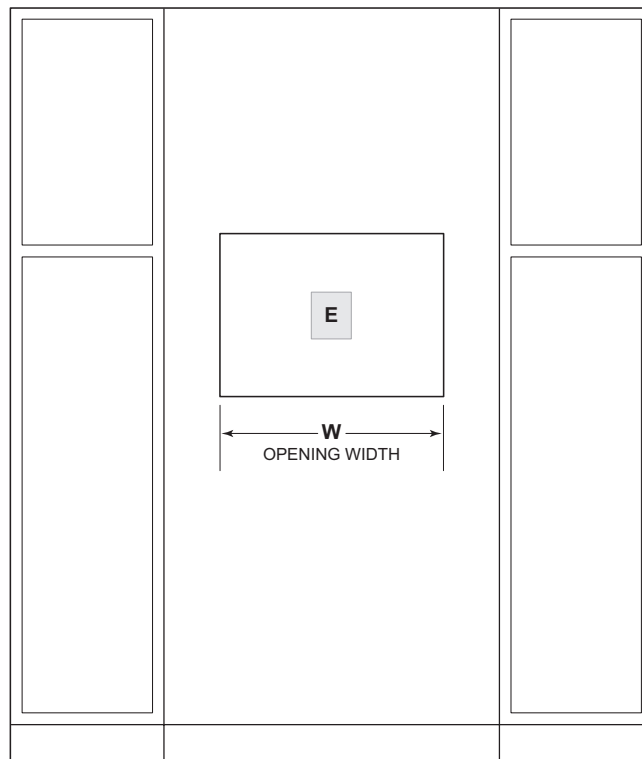
STANDARD INSTALLATION



TOP VIEW



SIDE VIEW



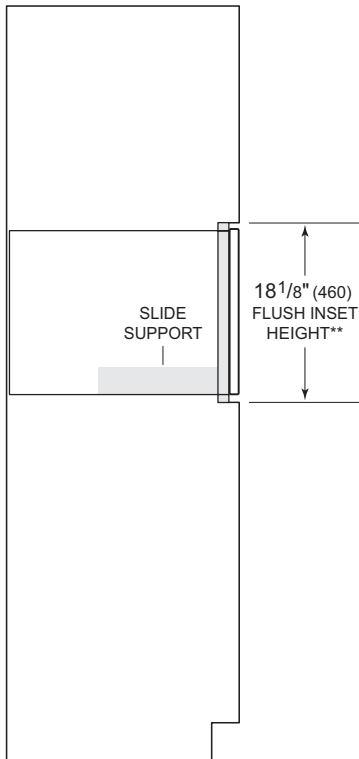
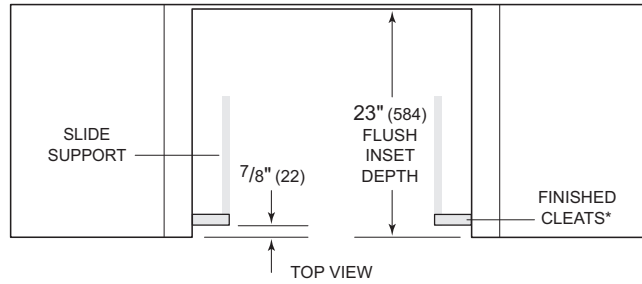
FRONT VIEW

NOTE: 24" (610) model and 30" (762) model require the same opening dimensions.

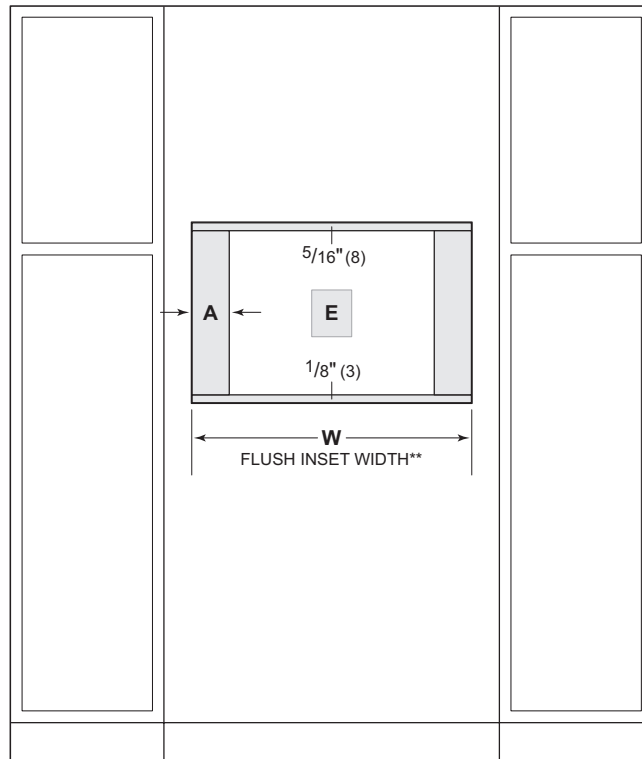
| OPENING WIDTH | W |
|---------------|------------------------|
| 24" Model | $22\frac{1}{8}"$ (562) |
| 30" Model | $22\frac{1}{8}"$ (562) |

Coffee System

FLUSH INSET INSTALLATION



SIDE VIEW



FRONT VIEW

*Will be visible and should be finished to match cabinetry.
 **Dimension provides minimum reveals.

| FLUSH INSET WIDTH | W | A |
|-------------------|--|---------------------------------------|
| 24" Model | 23 ³ / ₄ " (603) | 1 ³ / ₁₆ " (21) |
| 30" Model | 30 ¹ / ₈ " (765) | 4" (102) |

Cup Warming Drawer

MODEL

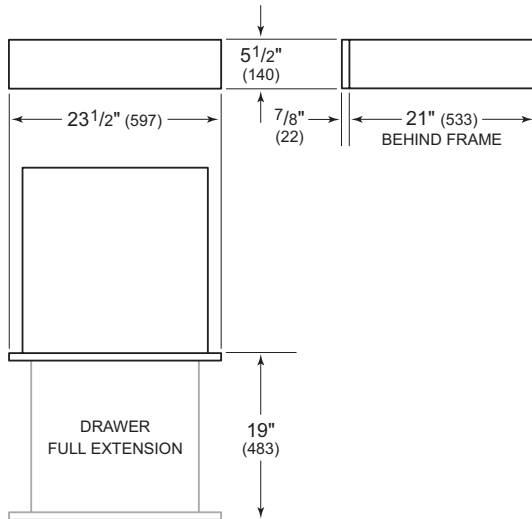
CW24/S
STAINLESS



Cup Warming Drawer

Cup Warming Drawer

DIMENSIONS



Planning Information

The Cup Warming Drawer can be installed in a standard or flush inset application. Finish the edges of the opening. They may be visible when the drawer is open.

For standard installations, the face trim will overlap stiles and rails. Refer to the chart below.

For flush inset installations, a minimum 1/8" (3) reveal is required on all sides. To ensure consistent reveals, each corner of the opening must be exactly 90°.

INSTALLATION REQUIREMENTS

| BASE SUPPORT | MIN |
|--------------------|---------------|
| Cup Warming Drawer | 75 lb (34 kg) |
| TRIM OVERLAP | |
| Top | 0" (0) |
| Bottom | 0" (0) |
| Sides | 1 1/16" (18) |

COMBINATION INSTALLATION

To install a Cup Warming Drawer below a Coffee System, one opening for both units must be specified. To achieve the minimum reveal between the units, place the Coffee System support rails on top of the Cup Warming Drawer, then secure the rails to the sides of the cabinet. Any material between the units will increase the horizontal reveal.

ELECTRICAL REQUIREMENTS

Installation must comply with all applicable electrical codes.

Locate the electrical supply as shown in the illustrations on the following pages. A separate circuit servicing only this appliance is required. A ground fault circuit interrupter (GFCI) is not recommended and may cause interruption of operation.

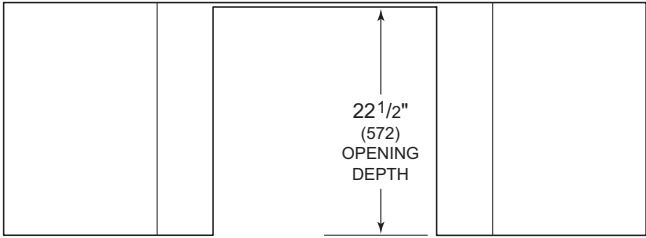
ELECTRICAL REQUIREMENTS

| | |
|-------------------|--------------------------|
| Electrical Supply | grounded, 120 VAC, 60 Hz |
| Service | 10 amp dedicated circuit |
| Receptacle | 3-prong grounding-type |
| Power Cord | 3' (.9 m) |

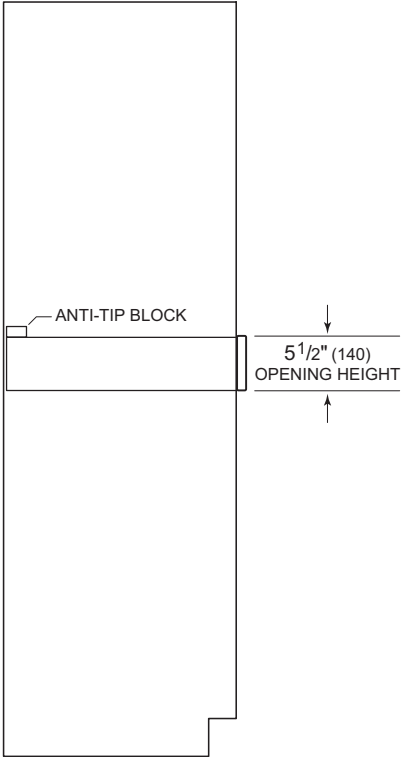
Cup Warming Drawer

Cup Warming Drawer

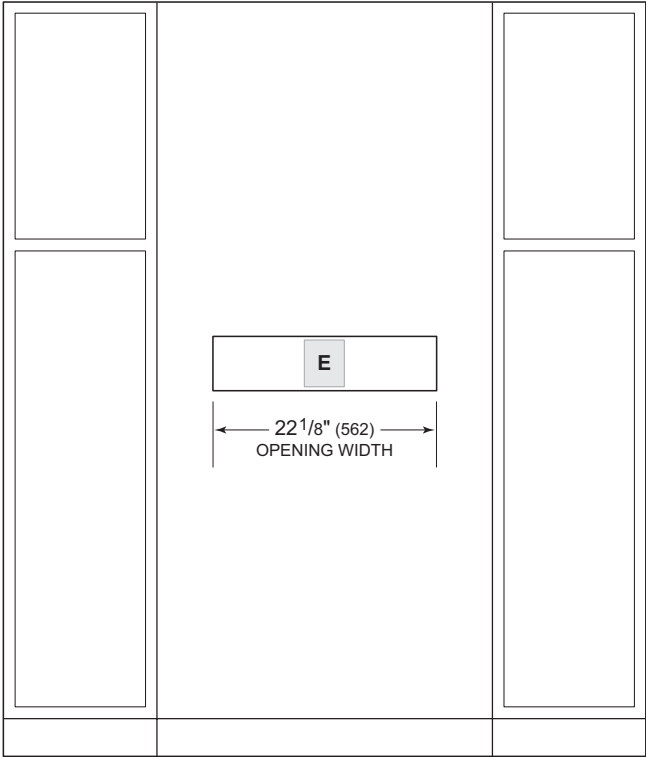
STANDARD INSTALLATION



TOP VIEW



SIDE VIEW

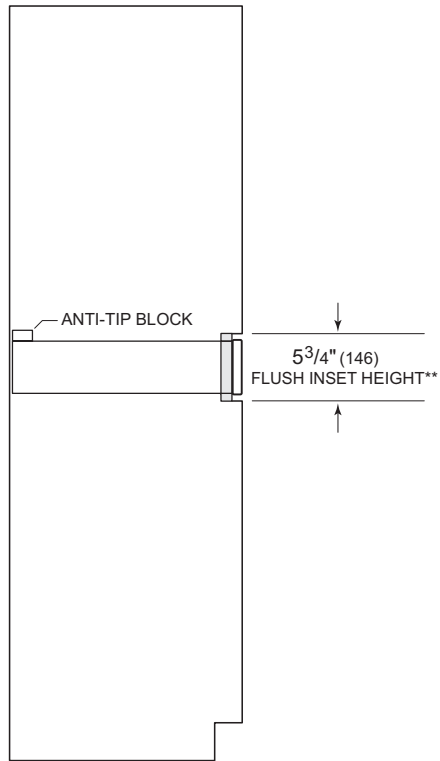
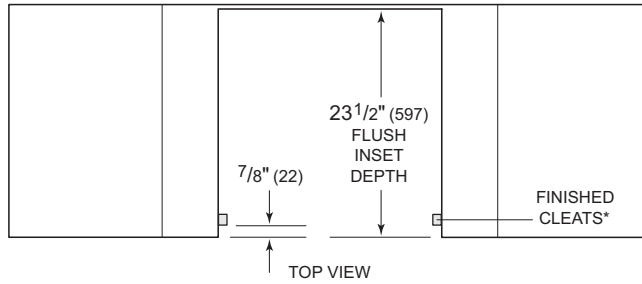


FRONT VIEW

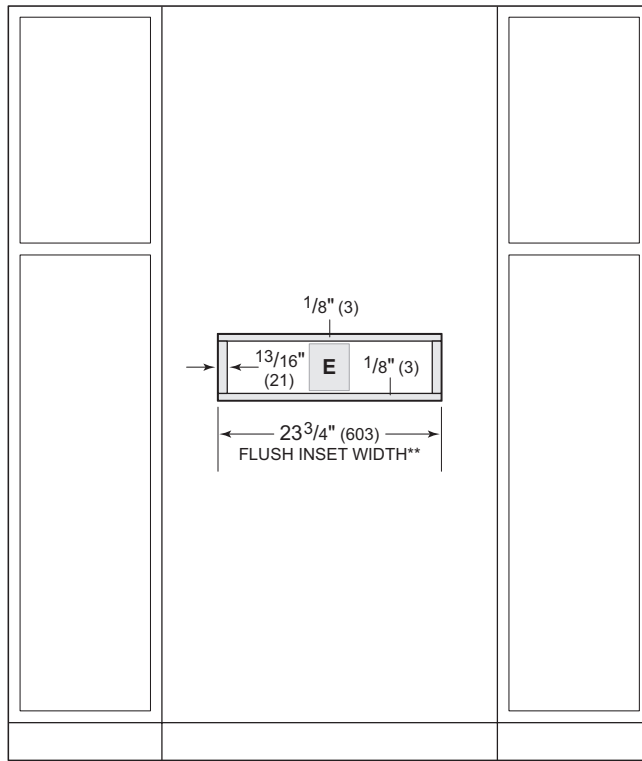
Cup Warming Drawer

Cup Warming Drawer

FLUSH INSET INSTALLATION



SIDE VIEW



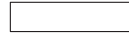
FRONT VIEW

*Will be visible and should be finished to match cabinetry.

**Dimension provides minimum reveals.

Vacuum Seal Drawer

DRAWER FRONTS



STAINLESS STEEL



BLACK GLASS

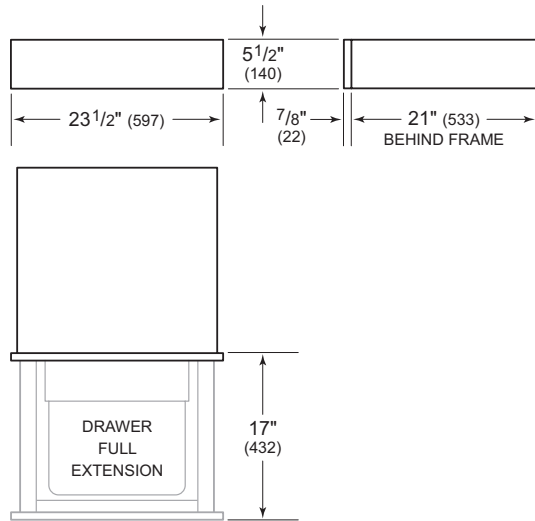


INTEGRATED

Vacuum Seal Drawer

Dimensions

VACUUM SEAL DRAWER



DRAWER FRONT



DRAWER FRONT

W

| | |
|------------------|---------------|
| 24" Drawer Front | 23 1/2" (597) |
| 30" Drawer Front | 29 7/8" (759) |

INTEGRATED DRAWER FRONT

A panel mounting kit is required when installing a custom panel.

IMPORTANT NOTE: A handle cannot be installed on the custom panel.

The panel mounting kit is available through an authorized Wolf dealer. For local dealer information, visit the find a showroom section of our website, wolfappliance.com.

Planning Information

The Vacuum Seal Drawer can be installed in a standard or flush inset application. Finish the edges of the opening. They may be visible when the drawer is open.

For standard installations, face trim will overlap stiles and rails. Refer to the chart below.

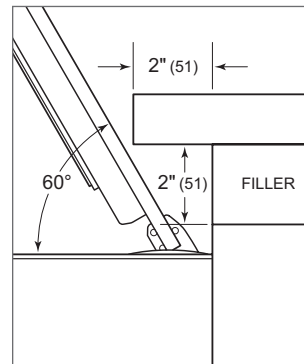
For flush inset installations, a minimum $\frac{1}{8}$ " (3) reveal is required on all sides. To ensure consistent reveals, each corner of the opening must be exactly 90°.

INSTALLATION REQUIREMENTS

| BASE SUPPORT | | MIN |
|---------------------|--|------------------------|
| Vacuum Seal Drawer | | 75 lb (34 kg) |
| TRIM OVERLAP | | |
| Top | | 0" (0) |
| Bottom | | 0" (0) |
| Sides | | $1\frac{1}{16}$ " (18) |

FILLER

A filler is required if installed below a countertop. The lid is designed to remain open at 60°. Refer to the illustration below.



Filler

Planning Information

ELECTRICAL REQUIREMENTS

Installation must comply with all applicable electrical codes.

Locate the electrical supply as shown in the illustrations on the following pages. A separate circuit, servicing only this appliance is required. A ground fault circuit interrupter (GFCI) is not recommended and may cause interruption of operation.

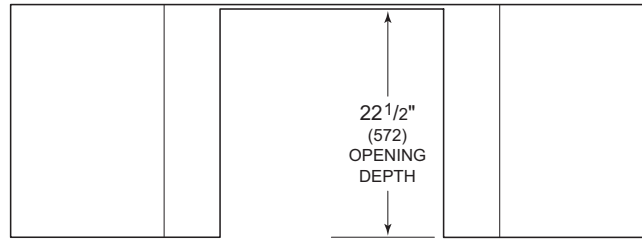
ELECTRICAL REQUIREMENTS

| | |
|-------------------|--------------------------|
| Electrical Supply | grounded, 120 VAC, 60 Hz |
| Service | 10 amp dedicated circuit |
| Receptacle | 3-prong grounding-type |
| Power Cord | 3' (.9 m) |

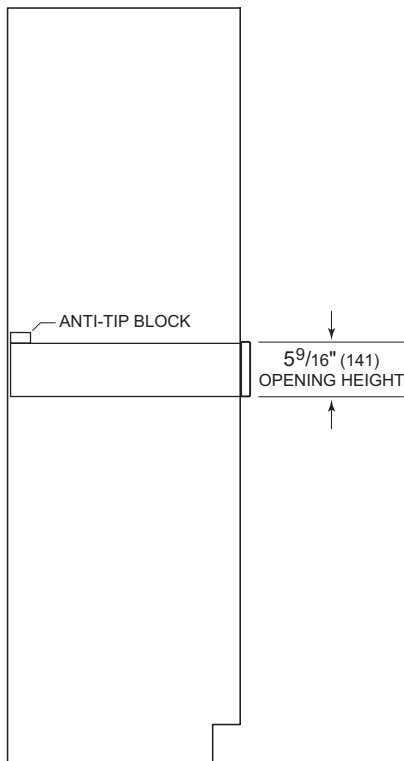
Vacuum Seal Drawer

Vacuum Seal Drawer

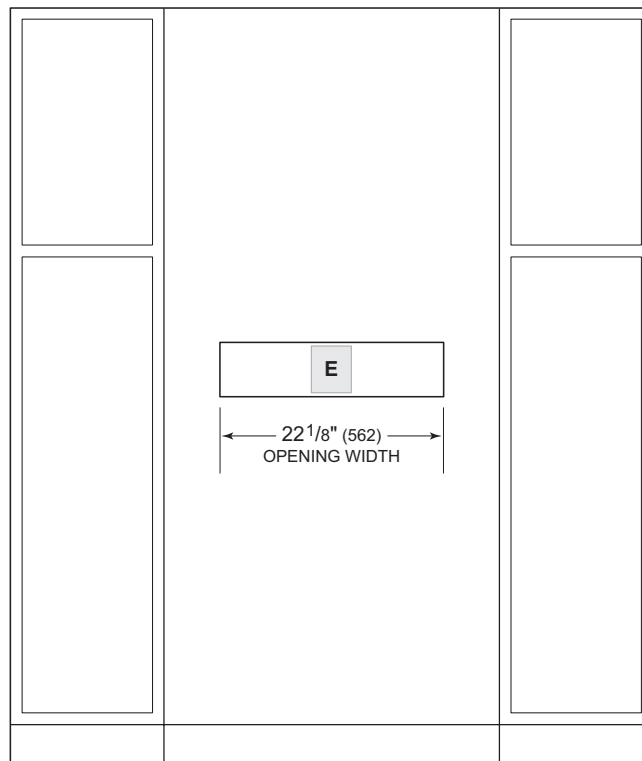
STANDARD INSTALLATION



TOP VIEW



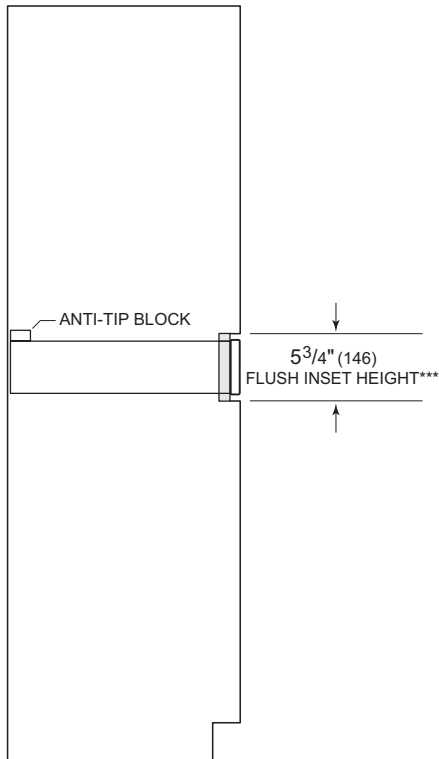
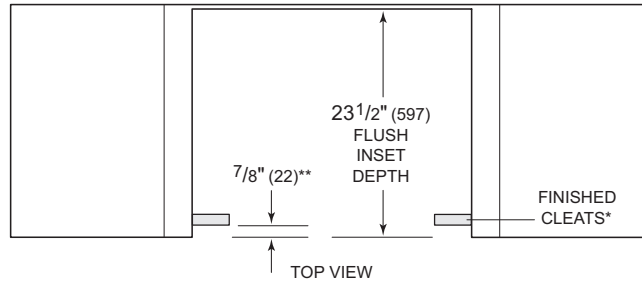
SIDE VIEW



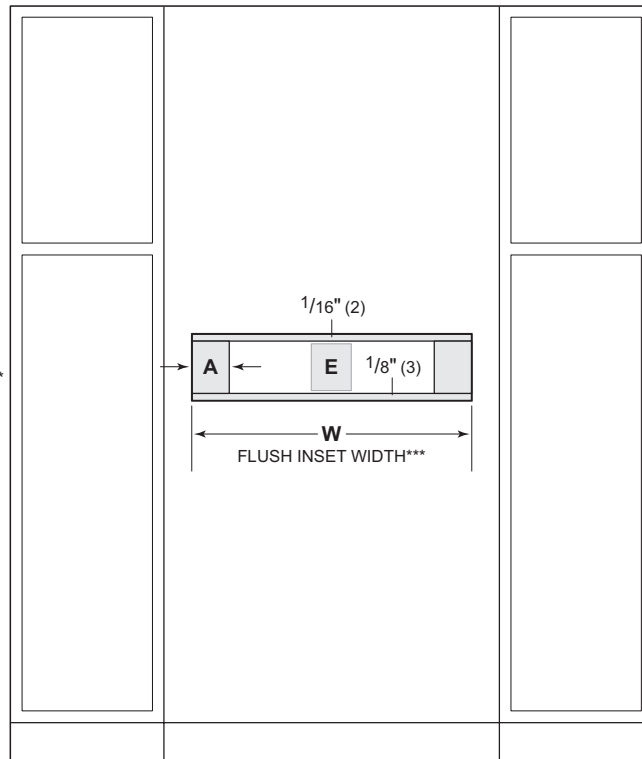
FRONT VIEW

Vacuum Seal Drawer

FLUSH INSET INSTALLATION



SIDE VIEW



FRONT VIEW

*Will be visible and should be finished to match cabinetry.

**Cleat depth assumes a stainless steel, black glass, or 3/4" (19) custom panel.

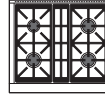
***Dimension provides minimum reveals.

| FLUSH INSET WIDTH | W | A |
|-------------------|---------------|---------------|
| 24" Opening | 23 3/4" (603) | 13 1/16" (21) |
| 30" Opening | 30 1/8" (765) | 4" (102) |

Dual Fuel Ranges

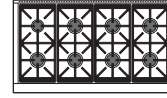
CONFIGURATIONS

30" RANGE



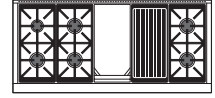
DF30450/S/P

48" RANGE

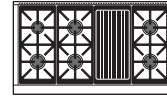


DF48850/S/P

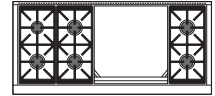
60" RANGE



DF60650CG/S/P

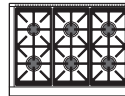


DF48650C/S/P

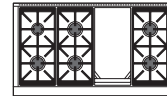


DF60650DG/S/P

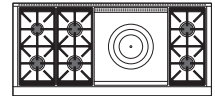
36" RANGE



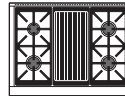
DF36650/S/P



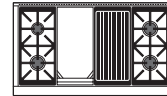
DF48650G/S/P



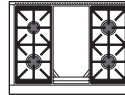
DF60650F/S/P



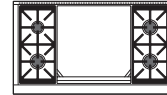
DF36450C/S/P



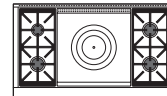
DF48450CG/S/P



DF36450G/S/P



DF48450DG/S/P

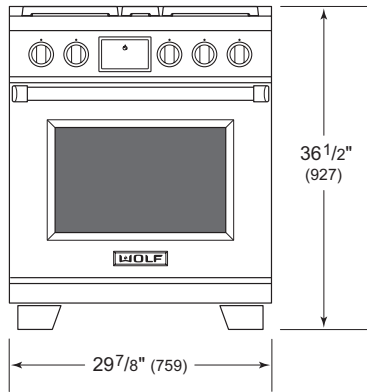


DF48450F/S/P

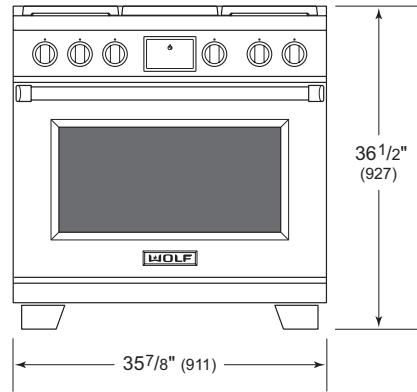
Dual Fuel Ranges

Dual Fuel Ranges

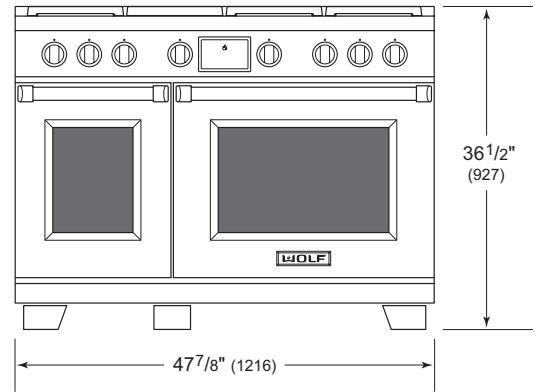
30" RANGE



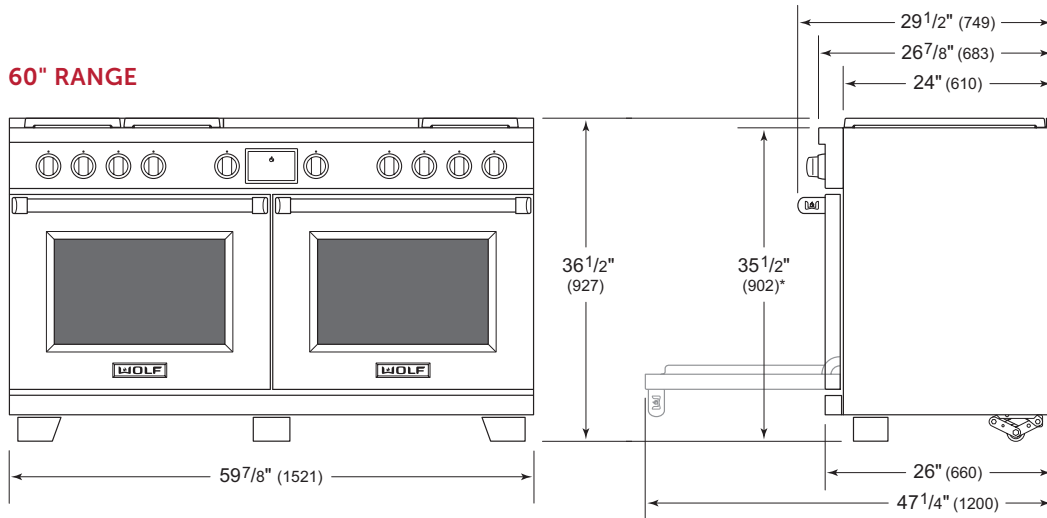
36" RANGE



48" RANGE



60" RANGE



*35 1/2" (902) MIN TO 38" (965) MAX

SIDE VIEW—ALL RANGES

Dual Fuel Ranges

Planning Information

IMPORTANT NOTE: When installing against a combustible surface, a minimum 10" (254) riser is required for a 36" dual fuel range with charbroiler or griddle and all 48" and 60" models. Follow all minimum clearances to combustible surfaces shown in the illustration on the following page.

A Wolf Pro Ventilation Hood is recommended with the Dual Fuel Range. Refer to page 148 for Pro Ventilation.

ELECTRICAL REQUIREMENTS

Installation must comply with all applicable electrical codes.

Locate the electrical supply flush with the wall or floor and within the shaded area shown in the illustration on the following page. A separate circuit servicing only this appliance is required.

If a power supply cord is used, the cord must be designated for use with ranges and rated for 240 V, 30 or 50 amps (refer to the chart below), and must include 3 or 4 conductors. A 4-conductor cord is required for installations where grounding through the neutral is prohibited.

Performance may be compromised if the electrical supply is less than 240 volts.

ELECTRICAL REQUIREMENTS—SINGLE OVEN

| | |
|--------------------|------------------------------|
| Electrical Supply | grounded, 240/208 VAC, 60 Hz |
| Service | 30 amp dedicated circuit |
| Total Amps | 21 |
| Max Connected Load | 5.2 kW |

ELECTRICAL REQUIREMENTS—DOUBLE OVEN

| | |
|--------------------|------------------------------|
| Electrical Supply | grounded, 240/208 VAC, 60 Hz |
| Service | 50 amp dedicated circuit |
| Total Amps | 42.5 |
| Max Connected Load | 10.2 kW |

GAS SUPPLY

Installation must comply with all applicable gas codes.

If local codes permit, a certified, 3' (.9 m) long, 1/2" (13) or 3/4" (19) ID flexible metal appliance connector is recommended.

Wolf natural gas ranges will function up to 10,250' (3124 m) in altitude without adjustment and LP gas ranges will function up to 8,600' (2621 m). If the installation exceeds these elevations, contact an authorized Wolf dealer for a high altitude conversion kit.

GAS REQUIREMENTS

| | |
|------------|-----------------|
| Gas Supply | 3/4" ID line |
| Gas Inlet | 1/2" NPT female |

NATURAL GAS

| | | |
|------------------------|---------------------------------|-----------|
| Supply Pressure | 5" (12.5 mb) | WC |
| Min Line Pressure | 7" (17.5 mb) | |
| Max Regulator Pressure | 14" (34.9 mb), .5 psi (3.5 kPa) | |

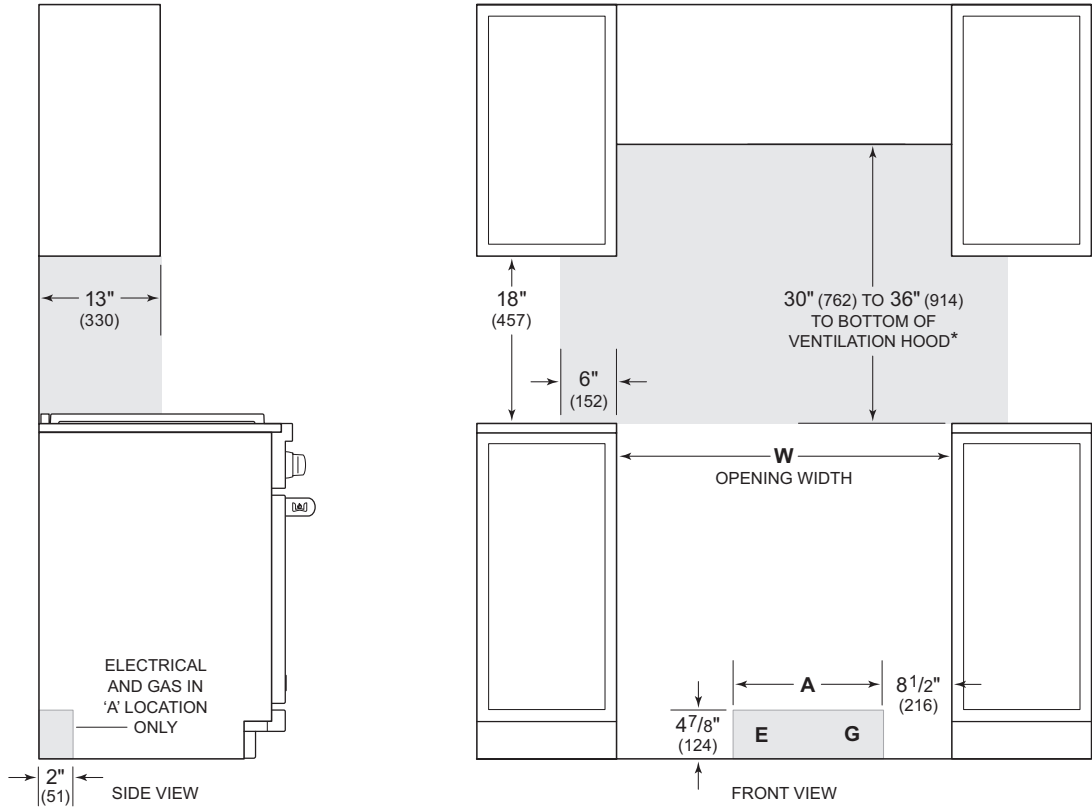
LP GAS

| | | |
|------------------------|---------------------------------|-----------|
| Supply Pressure | 10" (25 mb) | WC |
| Min Line Pressure | 11" (27.4 mb) | |
| Max Regulator Pressure | 14" (34.9 mb), .5 psi (3.5 kPa) | |

Dual Fuel Ranges

Dual Fuel Range

INSTALLATION



*Without ventilation hood, 36" (914) minimum clearance countertop to combustible materials, 44" (1118) for charbroiler.

NOTE: Shaded area above countertop indicates minimum clearance to combustible surfaces. Combustible materials cannot be located within this area.

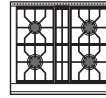
For island installation, 12" (305) minimum clearance back of range to combustible rear wall above countertop.

| OPENING WIDTH | W | A |
|---------------|------------|---------------|
| 30" Range | 30" (762) | 10 1/4" (260) |
| 36" Range | 36" (914) | 16 1/4" (413) |
| 48" Range | 48" (1219) | 18 1/4" (464) |
| 60" Range | 60" (1524) | 18 1/4" (464) |

Gas Ranges

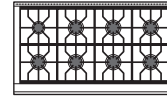
CONFIGURATIONS

30" RANGE



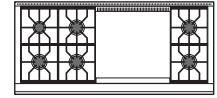
GR304

48" RANGE



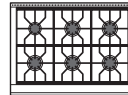
GR488

60" RANGE



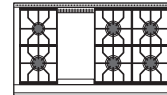
GR606DG

36" RANGE



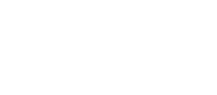
GR366

48" RANGE

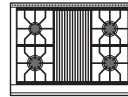


GR486G

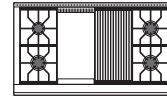
60" RANGE



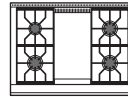
GR606CG



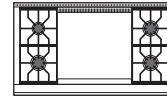
GR364C



GR484CG



GR364G

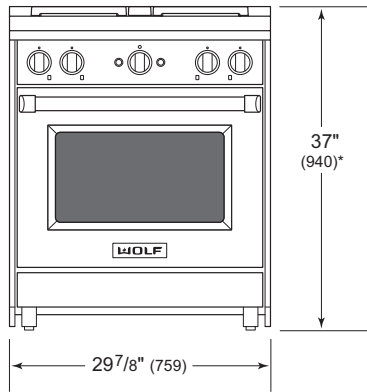


GR484DG

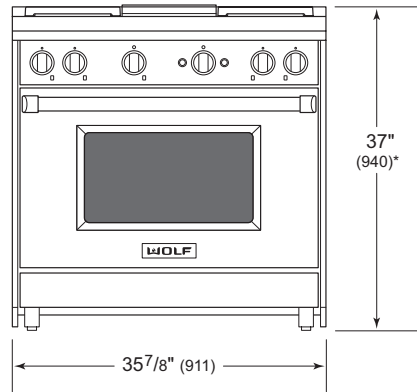
Gas Ranges

Gas Ranges

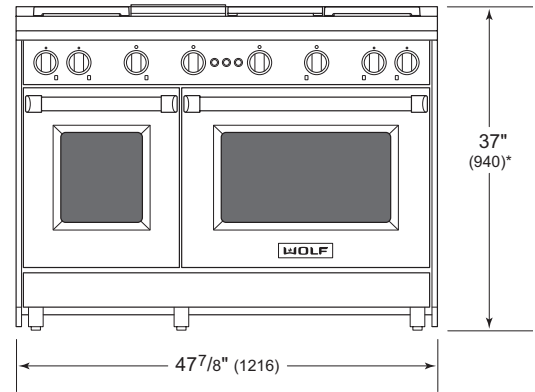
30" RANGE



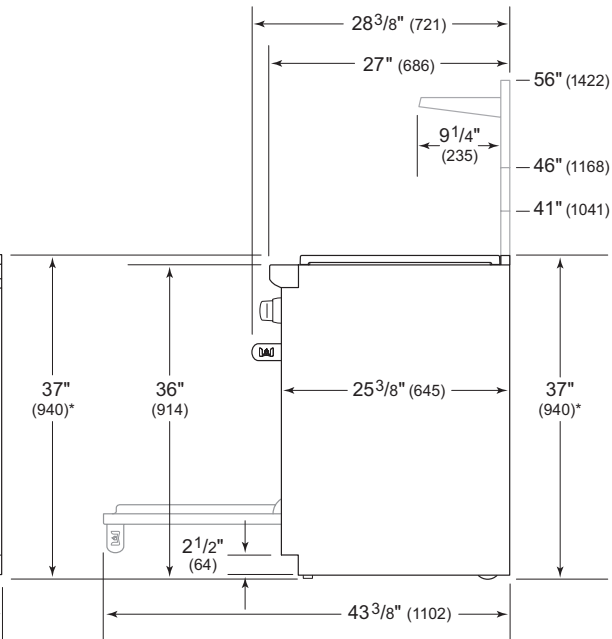
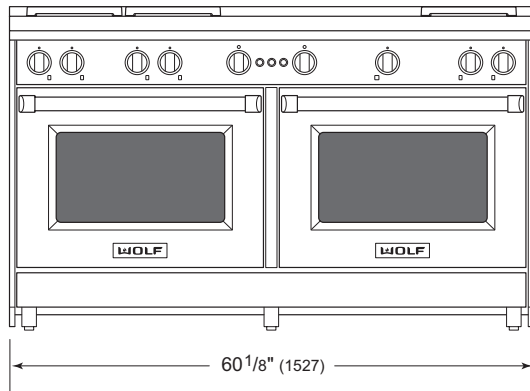
36" RANGE



48" RANGE



60" RANGE



*37" (940) MIN TO 38" (965) MAX.

SIDE VIEW—ALL RANGES

Planning Information

When installing against a combustible surface, a minimum 20" (508) riser is required. Follow all minimum clearances to combustible surfaces shown in the illustration on the following page.

A Wolf Pro Ventilation Hood is recommended with the Gas Range. Refer to page 148 for Pro Ventilation.

ELECTRICAL REQUIREMENTS

Installation must comply with all applicable electrical codes.

Locate the electrical supply flush with the wall or floor and within the shaded area shown in the illustration on the following page. A separate circuit servicing only this appliance is required.

ELECTRICAL REQUIREMENTS

| | |
|-------------------|------------------------------|
| Electrical Supply | grounded, 110/120 VAC, 60 Hz |
| Service | 15 amp dedicated circuit |
| Receptacle | 3-prong grounding-type |
| Power Cord | 6' (1.8 m) |

GAS SUPPLY

Installation must comply with all applicable gas codes.

If local codes permit, a certified, 3' (.9 m) long, 1/2" (13) or 3/4" (19) ID flexible metal appliance connector is recommended.

Wolf natural gas ranges will function up to 8,600' (2621 m) in altitude without adjustment. If the installation exceeds this elevation, contact an authorized Wolf dealer for a high altitude conversion kit. LP models do not require conversion.

GAS REQUIREMENTS

| | |
|------------|-----------------|
| Gas Supply | 3/4" ID line |
| Gas Inlet | 1/2" NPT female |

NATURAL GAS

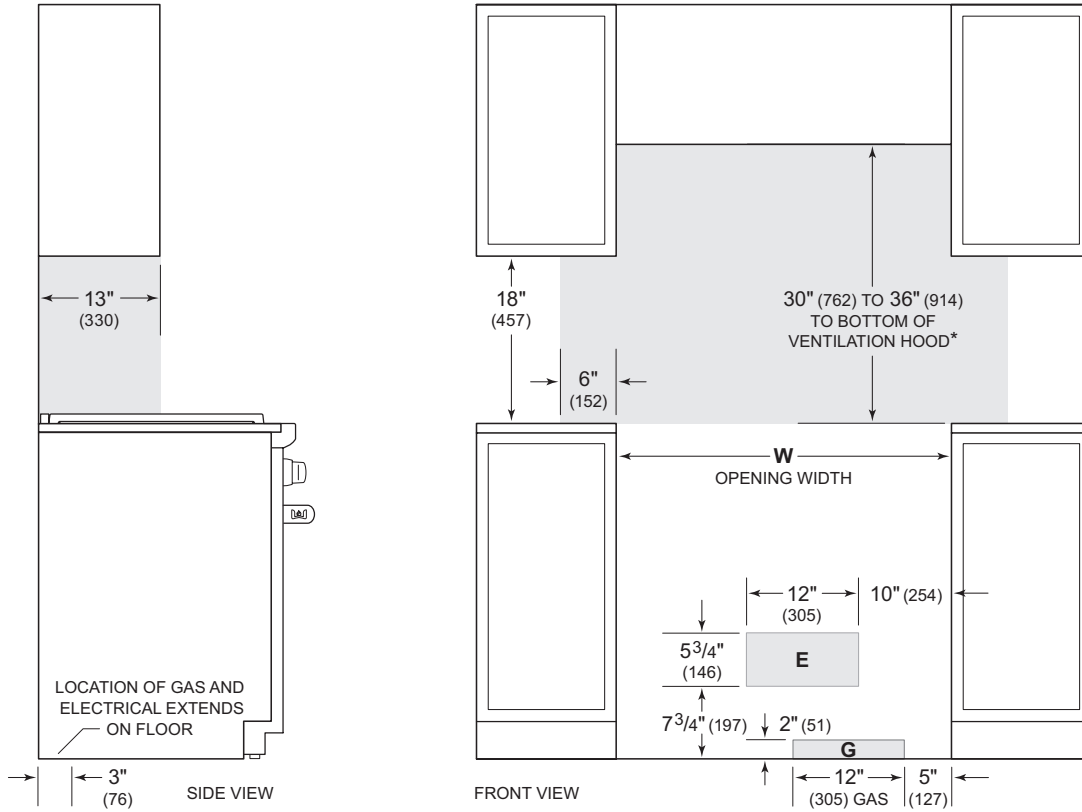
| | | |
|------------------------|---------------------------------|-----------|
| Supply Pressure | 5" (12.5 mb) | WC |
| Min Line Pressure | 7" (17.5 mb) | |
| Max Regulator Pressure | 14" (34.9 mb), .5 psi (3.5 kPa) | |

LP GAS

| | | |
|------------------------|---------------------------------|-----------|
| Supply Pressure | 10" (25 mb) | WC |
| Min Line Pressure | 11" (27.4 mb) | |
| Max Regulator Pressure | 14" (34.9 mb), .5 psi (3.5 kPa) | |

Gas Range

INSTALLATION



*Without ventilation hood, 42" (1067) minimum clearance countertop to combustible materials, charbroiler and GR488 require non-combustible materials.

NOTE: Shaded area above countertop indicates minimum clearance to combustible surfaces. Combustible materials cannot be located within this area.

For island installation, 12" (305) minimum clearance back of range to combustible rear wall above countertop.

| OPENING WIDTH | W |
|---------------|----------------|
| 30" Range | 30" (762) |
| 36" Range | 36" (914) |
| 48" Range | 48" (1219) |
| 60" Range | 60 1/4" (1530) |

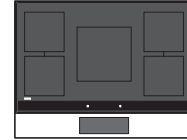
Induction Ranges

CONFIGURATIONS

TRANSITIONAL



IR30450/S/T



IR36550/S/T

PROFESSIONAL



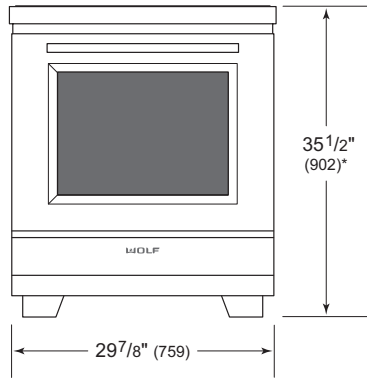
IR30450/S/P



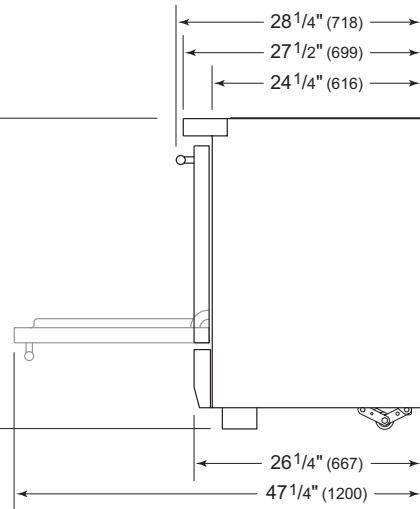
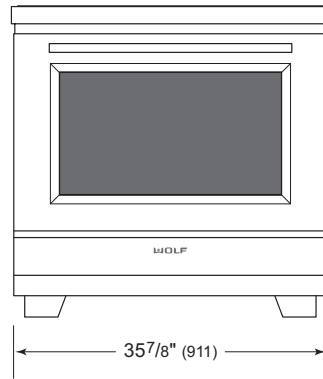
IR36550/S/P

Induction Ranges

30" TRANSITIONAL



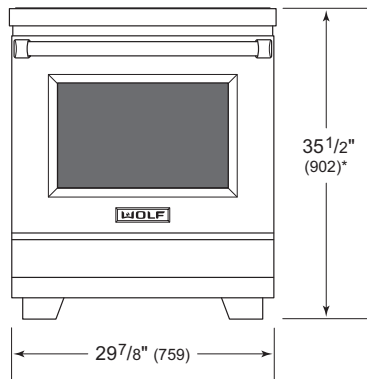
36" TRANSITIONAL



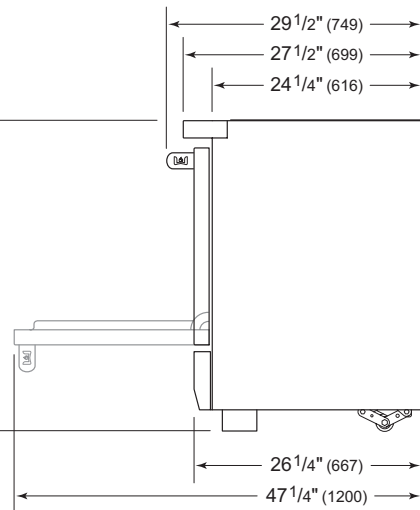
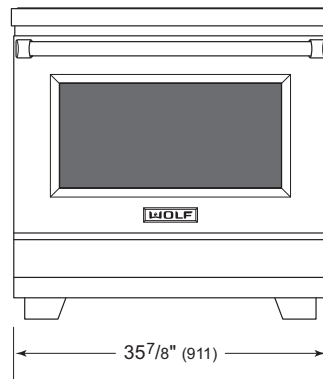
*35 1/2" (902) MIN TO 38" (965) MAX

SIDE VIEW—TRANSITIONAL

30" PROFESSIONAL



36" PROFESSIONAL



*35 1/2" (902) MIN TO 38" (965) MAX

SIDE VIEW—PROFESSIONAL

Planning Information

Follow all minimum clearances to combustibile surfaces shown in the illustration on the following page.

ELECTRICAL REQUIREMENTS

Installation must comply with all applicable electrical codes.

Locate the electrical supply flush with the wall or floor and within the shaded area shown in the illustration on the following page. A separate circuit servicing only this appliance is required.

If a power supply cord is used, the cord must be designed for use with ranges and rated for 240 V, 50 amps, and must include 3 or 4 conductors. A 4-conductor cord is required for installations where grounding through the neutral is prohibited.

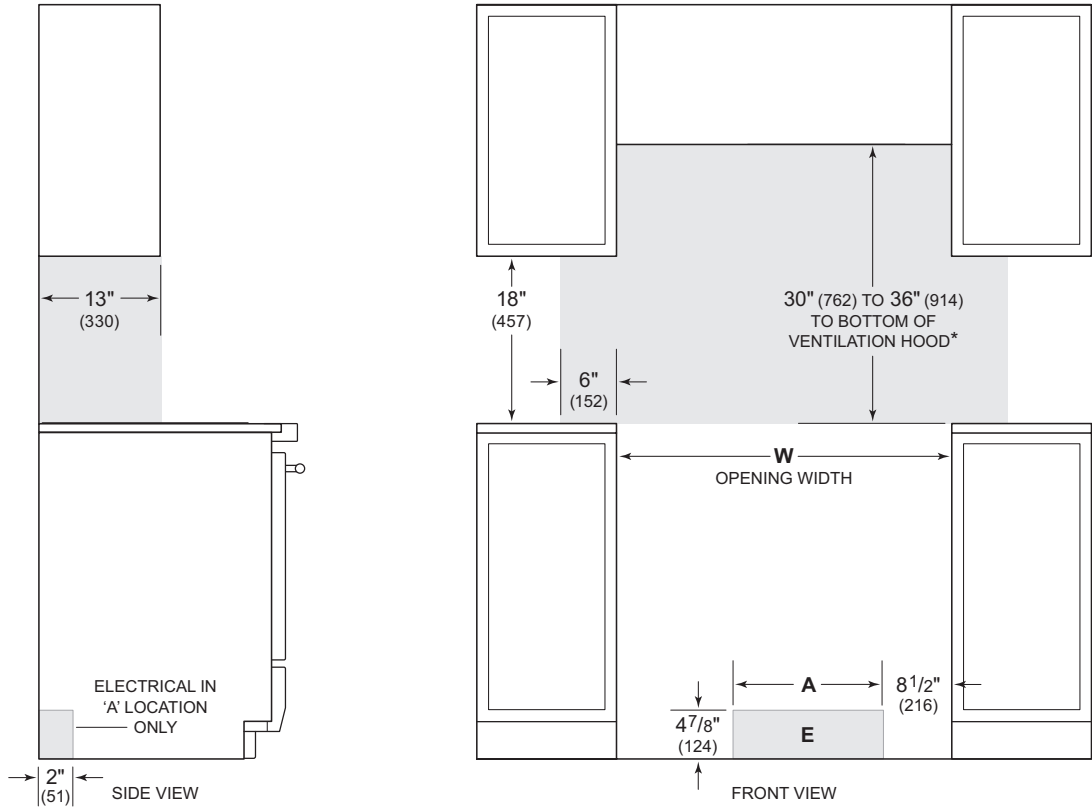
Performance may be compromised if the electrical supply is less than 240 volts.

ELECTRICAL REQUIREMENTS

| | |
|-------------------|------------------------------|
| Electrical Supply | grounded, 240/208 VAC, 60 Hz |
| Service | 50 amp dedicated circuit |

Induction Range

INSTALLATION



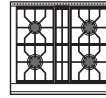
**Without ventilation hood, 36" (914) minimum clearance countertop to combustible materials.*
 NOTE: Shaded area above countertop indicates minimum clearance to combustible surfaces.
 Combustible materials cannot be located within this area.
 For island installation, 12" (305) minimum clearance back of range to combustible rear wall above countertop.

| OPENING WIDTH | W | A |
|---------------|-----------|---------------|
| 30" Range | 30" (762) | 10 1/4" (260) |
| 36" Range | 36" (914) | 16 1/4" (413) |

Sealed Burner Rangetops

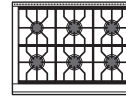
CONFIGURATIONS

30" RANGETOP



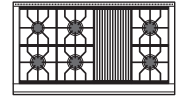
SRT304

36" RANGETOP

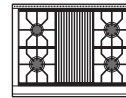


SRT366

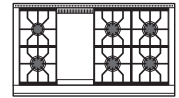
48" RANGETOP



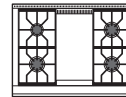
SRT486C



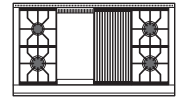
SRT364C



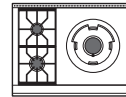
SRT486G



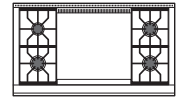
SRT364G



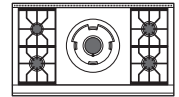
SRT484CG



SRT362W



SRT484DG

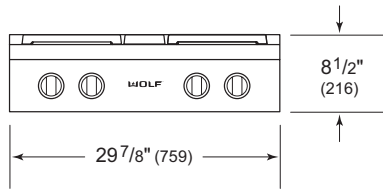


SRT484W

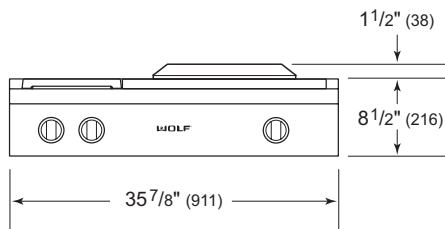
Sealed Burner Rangetops

Sealed Burner Rangetops

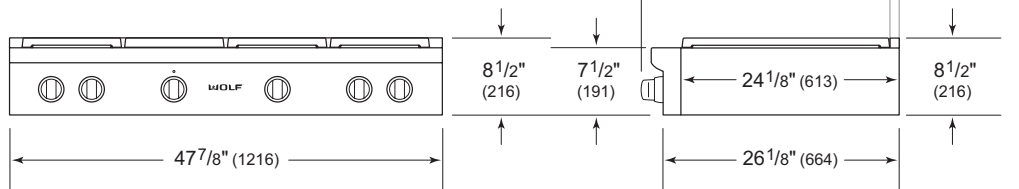
30" RANGETOP



36" RANGETOP (WOK MODEL SHOWN)



48" RANGETOP



SIDE VIEW—ALL RANGETOPS

Sealed Burner Rangetops

Planning Information

The platform to support the Sealed Burner Rangetop must include a cutout for electrical and gas supply connections. Refer to the chart below for minimum base support.

When installing against a combustible surface, a minimum 5" (127) riser is required for model SRT366, and a minimum 10" (254) riser is required for 36" and 48" Sealed Burner Rangetops with a charbroiler or griddle. Follow all minimum clearances to combustible surfaces shown in the illustration on the following page. Models SRT362W and SRT484W cannot be installed against a combustible surface.

A Wolf Pro Ventilation Hood is recommended with the sealed burner rangetop. Refer to page 148 for Pro Ventilation.

A downdraft can be used with Models SRT304 and SRT366. An accessory trim kit is necessary for this installation. Contact an authorized Wolf dealer for details.

INSTALLATION REQUIREMENTS

| BASE SUPPORT | MIN |
|---------------------|-----------------|
| 30" Rangetop | 200 lb (91 kg) |
| 36" Rangetop | 250 lb (113 kg) |
| 48" Rangetop | 300 lb (136 kg) |

| PLATFORM | MIN |
|-----------------|------------|
| Thickness | ¾" (19) |

ELECTRICAL REQUIREMENTS

Installation must comply with all applicable electrical codes.

Locate the electrical supply within the shaded area shown in the illustration on the following page. A separate circuit servicing only this appliance is required.

ELECTRICAL REQUIREMENTS

| | |
|-------------------|------------------------------|
| Electrical Supply | grounded, 110/120 VAC, 60 Hz |
| Service | 15 amp dedicated circuit |
| Receptacle | 3-prong grounding-type |
| Power Cord | 6' (1.8 m) |

GAS SUPPLY

Installation must comply with all applicable gas codes.

If local codes permit, a certified, 3' (.9 m) long, ½" (13) or ¾" (19) ID flexible metal appliance connector is recommended.

Wolf natural gas rangetops will function up to 10,250' (3124 m) in altitude without adjustment and LP gas rangetops up to 8,600' (2621 m). If the installation exceeds these elevations, contact an authorized Wolf dealer for a high altitude conversion kit.

GAS REQUIREMENTS

| | |
|------------|---------------|
| Gas Supply | ¾" ID line |
| Gas Inlet | ½" NPT female |

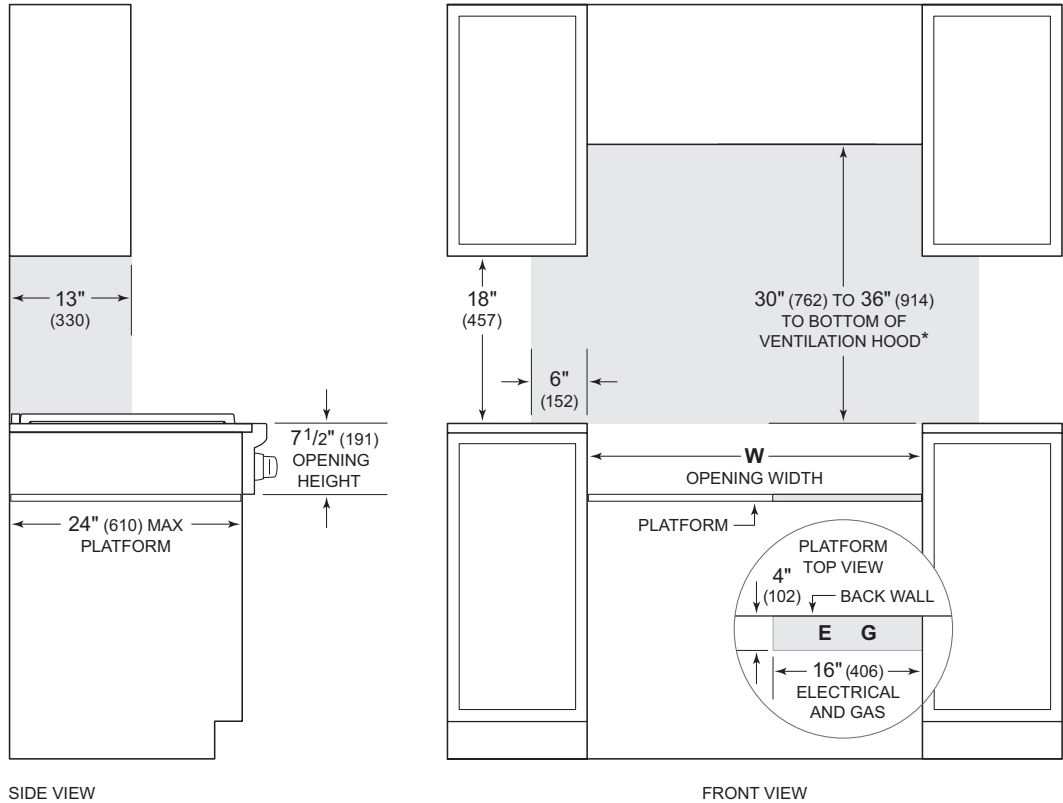
| NATURAL GAS | WC |
|------------------------|---------------------------------|
| Supply Pressure | 5" (12.5 mb) |
| Min Line Pressure | 7" (17.5 mb) |
| Max Regulator Pressure | 14" (34.9 mb), .5 psi (3.5 kPa) |

| LP GAS | WC |
|------------------------|---------------------------------|
| Supply Pressure | 10" (25 mb) |
| Min Line Pressure | 11" (27.4 mb) |
| Max Regulator Pressure | 14" (34.9 mb), .5 psi (3.5 kPa) |

Sealed Burner Rangetops

Sealed Burner Rangetop

INSTALLATION



SIDE VIEW

FRONT VIEW

**Without ventilation hood, 36" (914) minimum clearance countertop to combustible materials, 44" (1118) for charbroiler.*

NOTE: Shaded area above countertop indicates minimum clearance to combustible surfaces, combustible materials cannot be located within this area.

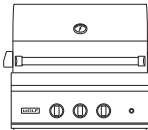
Electrical and gas supply located through bottom of platform.

For island installation, 12" (305) minimum clearance back of rangetop to combustible rear wall above countertop.

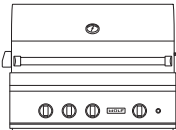
| OPENING WIDTH | W |
|---------------|------------|
| 30" Rangetop | 30" (762) |
| 36" Rangetop | 36" (914) |
| 48" Rangetop | 48" (1219) |

Outdoor Grills and Modules

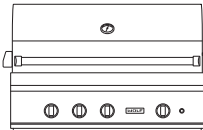
OUTDOOR GRILLS



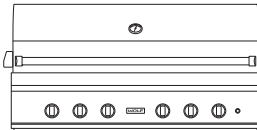
OG30



OG36



OG42



OG54

OUTDOOR MODULES



BM13
BURNER MODULE

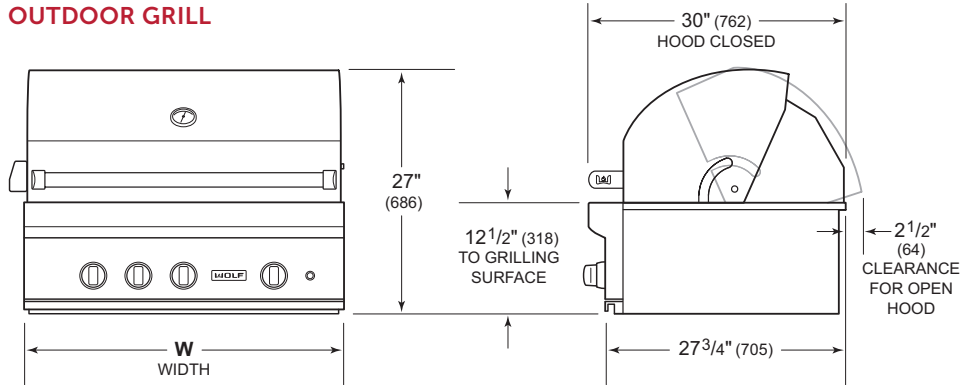


SB13
SIDE BURNER

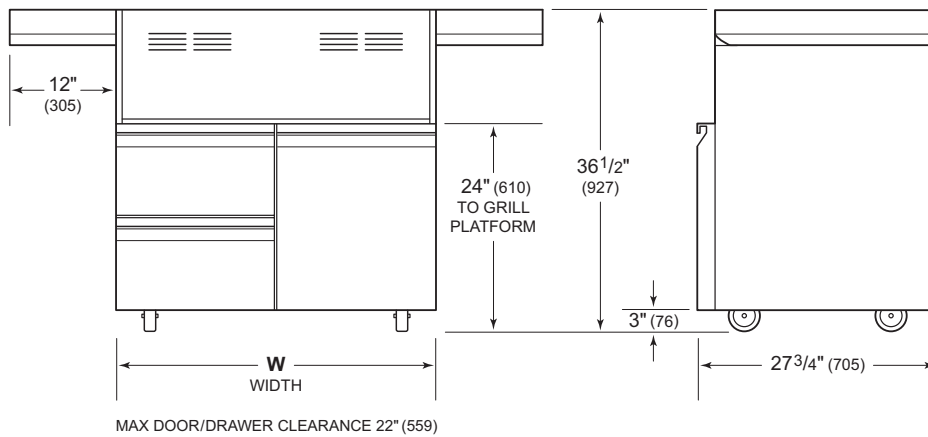


Outdoor Grills and Modules

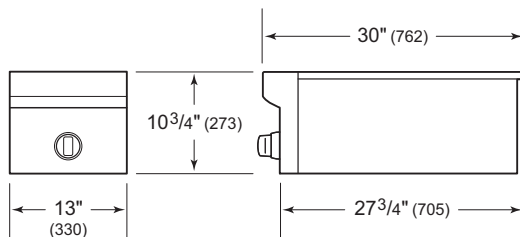
OUTDOOR GRILL



GRILL CART



BURNER MODULE / SIDE BURNER



OUTDOOR GRILL

W

| | |
|------|------------|
| OG30 | 30" (762) |
| OG36 | 36" (914) |
| OG42 | 42" (1067) |
| OG54 | 54" (1372) |

GRILL CART

W

| | |
|--------|------------|
| CART30 | 30" (762) |
| CART36 | 36" (914) |
| CART42 | 42" (1067) |

Planning Information

For portable applications, Wolf grill carts are designed specifically to fit Grill Models OG30, OG36, and OG42 and the Side Burner. Model OG54 is designed for built-in applications only.

For built-in applications, Wolf Outdoor Grills and the Burner Module are designed for easy placement into a built-in enclosure. For outdoor grills, installation in a combustible enclosure requires an insulating liner. For the Burner Module, an insulating liner is not required. The enclosure should be built according to specifications for your specific installation on the following pages. If the Burner Module is installed next to an Outdoor Grill, a minimum of 12" (305) is required between the units on the rotisserie motor side and 2" (51) on the opposite side. A rotisserie side conversion kit is available from an authorized Wolf dealer.

Model BM13 does not include a tank retention system and cannot be connected to a portable LP tank.

Optional stainless steel accessory doors and drawers are available for built-in applications. Refer to pages 126–130.

Grill carts, insulating liners, and stainless steel doors and drawers are available through an authorized Wolf dealer. For local dealer information, visit the find a showroom section of our website, wolfappliance.com.

ELECTRICAL REQUIREMENTS

Installation must comply with all applicable electrical codes.

The electrical outlet must be located within reach of the power cord. A separate circuit servicing only this appliance is required. A ground fault circuit interrupter (GFCI) is required to reduce the risk of electrical shock.

ELECTRICAL REQUIREMENTS

| | |
|-------------------|------------------------------|
| Electrical Supply | grounded, 120 VAC, 60 Hz |
| Service | 15 amp dedicated circuit |
| Receptacle | 3-prong grounding-type, GFCI |
| Power Cord | 6' (1.8 m) |

GAS SUPPLY

Installation must comply with all applicable gas codes.

If local codes permit, a certified, 3' (.9 m) long, 1/2" (13) or 3/4" (19) ID flexible metal appliance connector is recommended.

If the Outdoor Grill is being connected to a whole house LP supply, the LP gas pressure regulator is not provided. It can be purchased from an authorized Wolf dealer. For local dealer information, visit the find a showroom section of our website, wolfappliance.com.

GAS REQUIREMENTS

| | |
|------------|--------------|
| Gas Supply | 3/4" ID line |
|------------|--------------|

| | |
|-----------|-----------------|
| Gas Inlet | 1/2" NPT female |
|-----------|-----------------|

NATURAL GAS

WC

| | |
|-----------------|--------------|
| Supply Pressure | 5" (12.5 mb) |
|-----------------|--------------|

| | |
|-------------------|--------------|
| Min Line Pressure | 7" (17.5 mb) |
|-------------------|--------------|

| | |
|------------------------|---------------------------------|
| Max Regulator Pressure | 14" (34.9 mb), .5 psi (3.5 kPa) |
|------------------------|---------------------------------|

LP GAS

WC

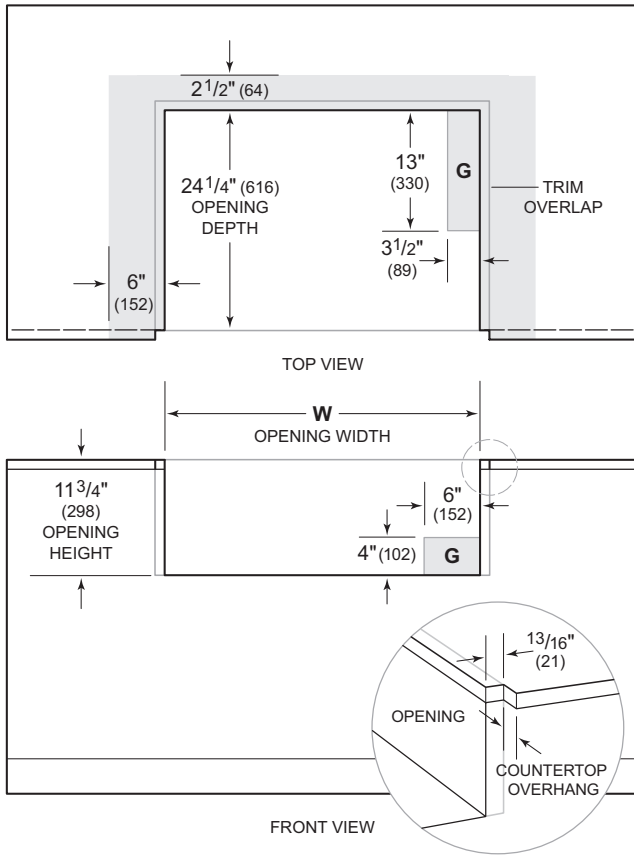
| | |
|-----------------|-------------|
| Supply Pressure | 10" (25 mb) |
|-----------------|-------------|

| | |
|-------------------|---------------|
| Min Line Pressure | 11" (27.4 mb) |
|-------------------|---------------|

| | |
|------------------------|---------------------------------|
| Max Regulator Pressure | 14" (34.9 mb), .5 psi (3.5 kPa) |
|------------------------|---------------------------------|

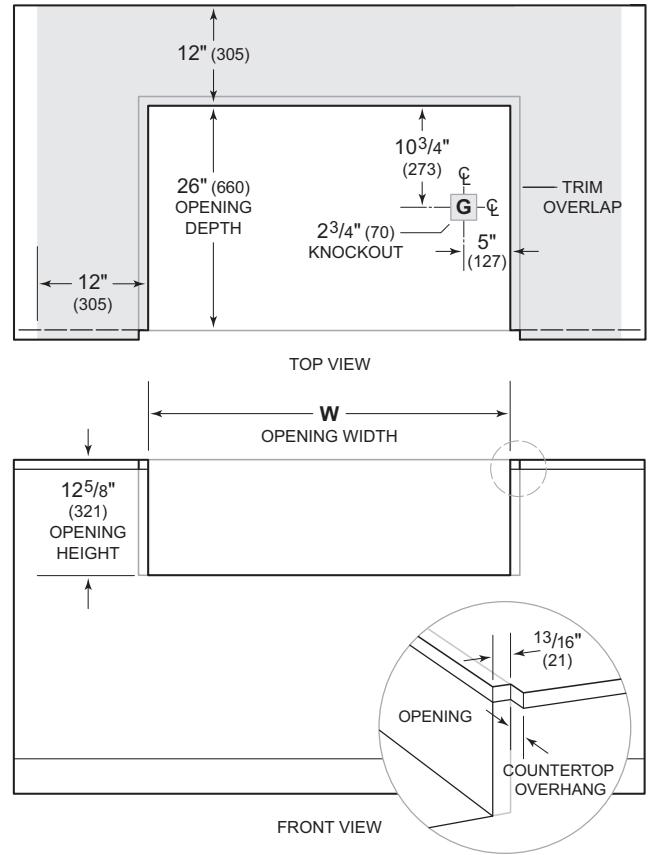
Outdoor Grill

NON-COMBUSTIBLE INSTALLATION



NOTE: Shaded area above countertop indicates minimum clearance to combustible surfaces, combustible materials cannot be located within this area.

COMBUSTIBLE INSTALLATION



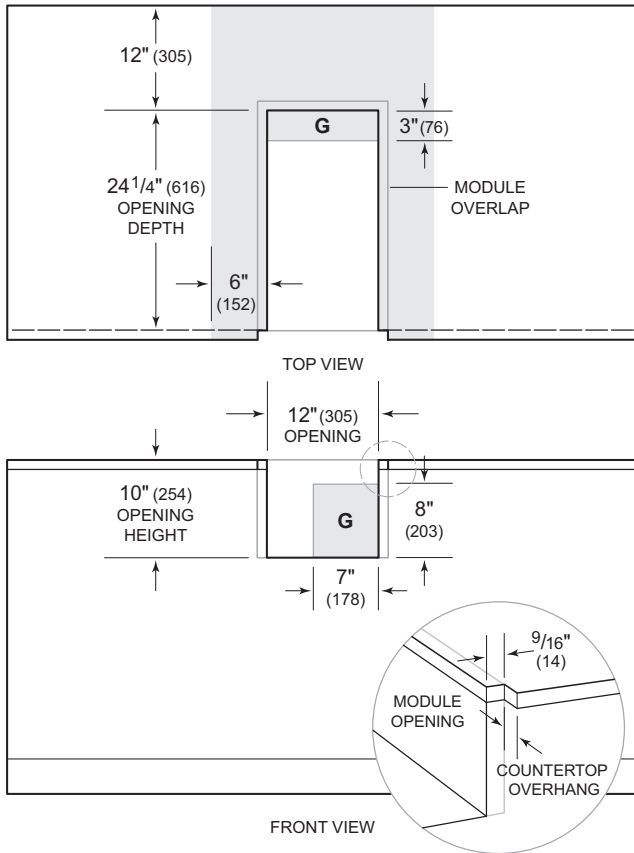
NOTE: Shaded area above countertop indicates minimum clearance to combustible surfaces, combustible materials cannot be located within this area.

| NON-COMBUSTIBLE ENCLOSURE | W |
|---------------------------|----------------|
| OG30 | 28 1/2" (724) |
| OG36 | 34 1/2" (876) |
| OG42 | 40 1/2" (1029) |
| OG54 | 52 1/2" (1334) |

| COMBUSTIBLE ENCLOSURE | W |
|-----------------------|----------------|
| OG30 | 33 1/2" (851) |
| OG36 | 39 1/2" (1003) |
| OG42 | 45 1/2" (1156) |
| OG54 | 57 1/2" (1461) |

Burner Module

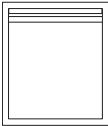
INSTALLATION



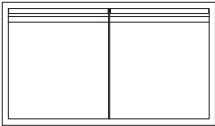
NOTE: Shaded area above countertop indicates minimum clearance to combustible surfaces, combustible materials cannot be located within this area. An insulating liner is not required.

Outdoor Accessories

ACCESS DOORS

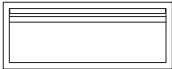


SINGLE

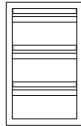


DOUBLE

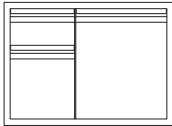
ACCESSORY DRAWERS AND DOORS



SINGLE DRAWER



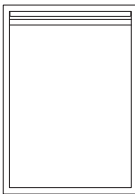
2- OR 3-DRAWER



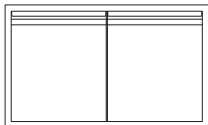
DOOR/DRAWER



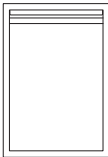
PAPER TOWEL DRAWER



TALL DRY STORAGE



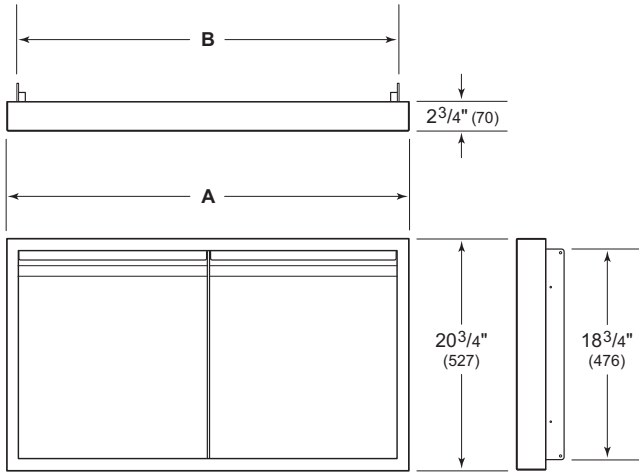
SHORT DRY STORAGE



TRASH/RECYCLING DRAWER

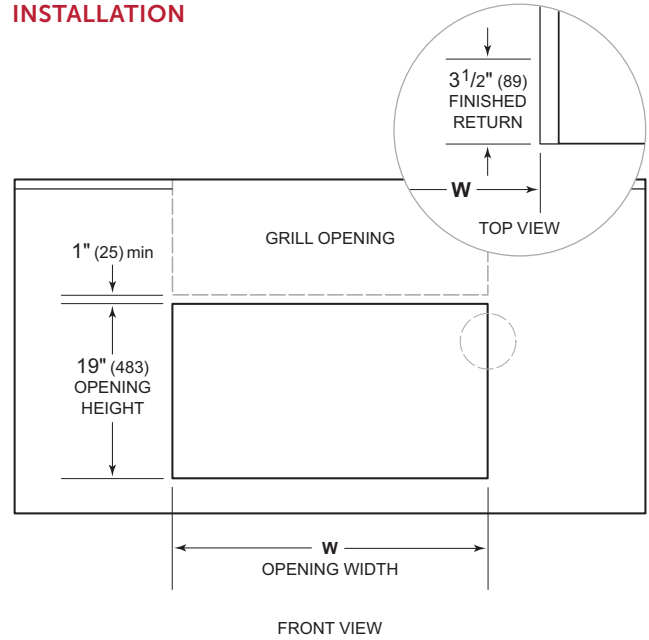
Access Doors

DIMENSIONS



| DOOR WIDTH | A | B |
|------------|------------|----------------|
| 18" Single | 18" (457) | 16 1/4" (413) |
| 30" Double | 30" (762) | 28 1/4" (718) |
| 36" Double | 36" (914) | 34 1/4" (870) |
| 42" Double | 42" (1067) | 40 1/4" (1022) |
| 54" Double | 54" (1372) | 52 1/4" (1327) |

INSTALLATION

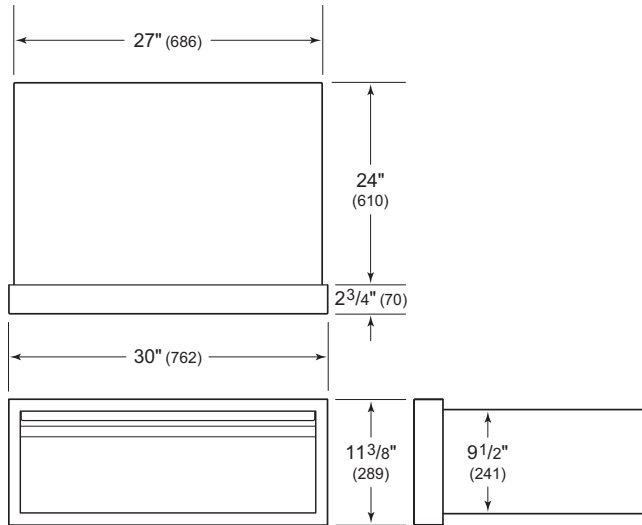


| OPENING WIDTH | W |
|---------------|----------------|
| 18" Single | 16 1/2" (419) |
| 30" Double | 28 1/2" (724) |
| 36" Double | 34 1/2" (876) |
| 42" Double | 40 1/2" (1029) |
| 54" Double | 52 1/2" (1334) |

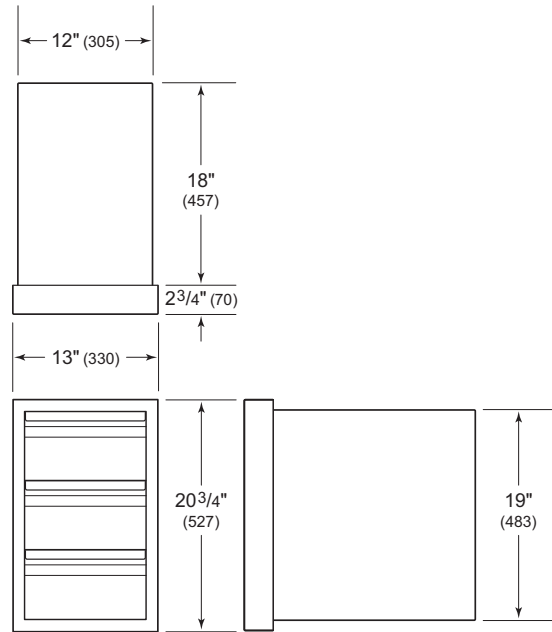
IMPORTANT NOTE: The opening dimensions provided are for a standard installation. For a flush installation, refer to the overall dimensions and adjust the opening dimensions accordingly.

Accessory Drawers and Doors

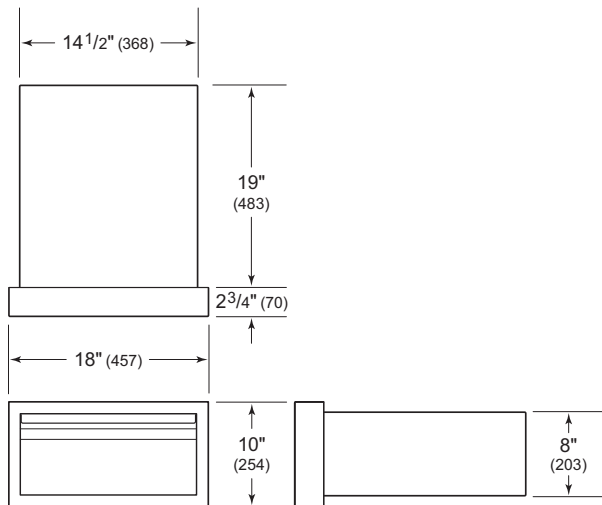
SINGLE DRAWER



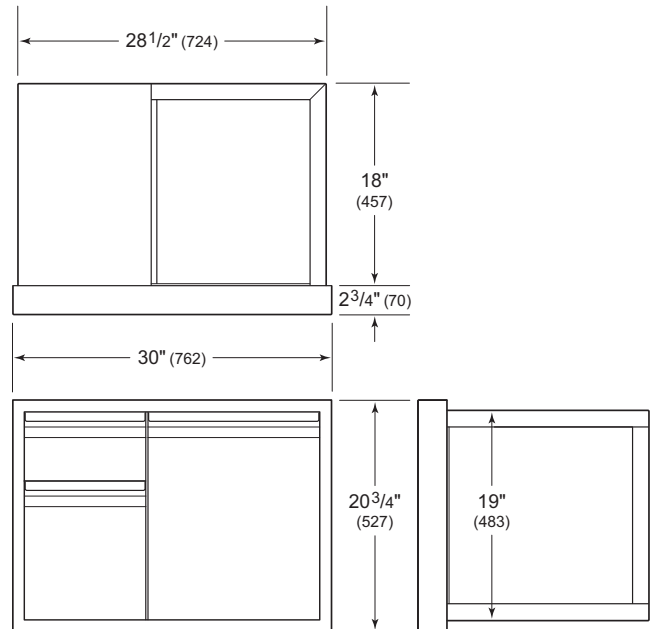
2- OR 3-DRAWER



PAPER TOWEL DRAWER

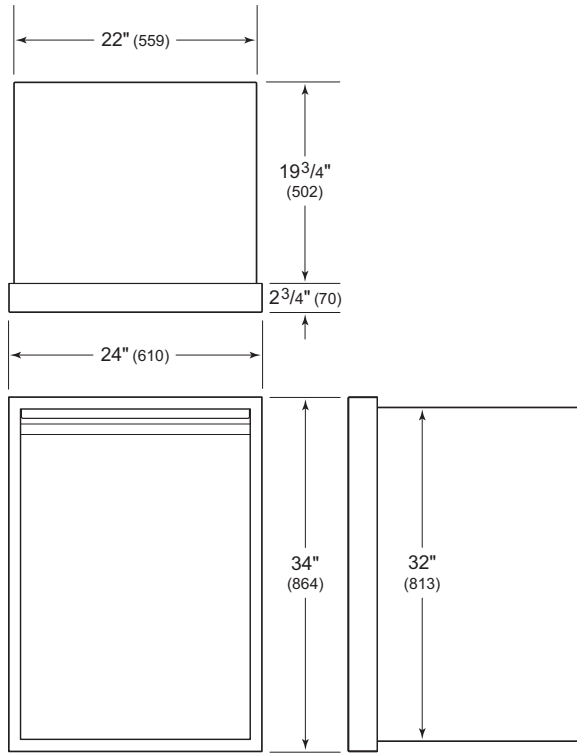


DRAWER/DOOR

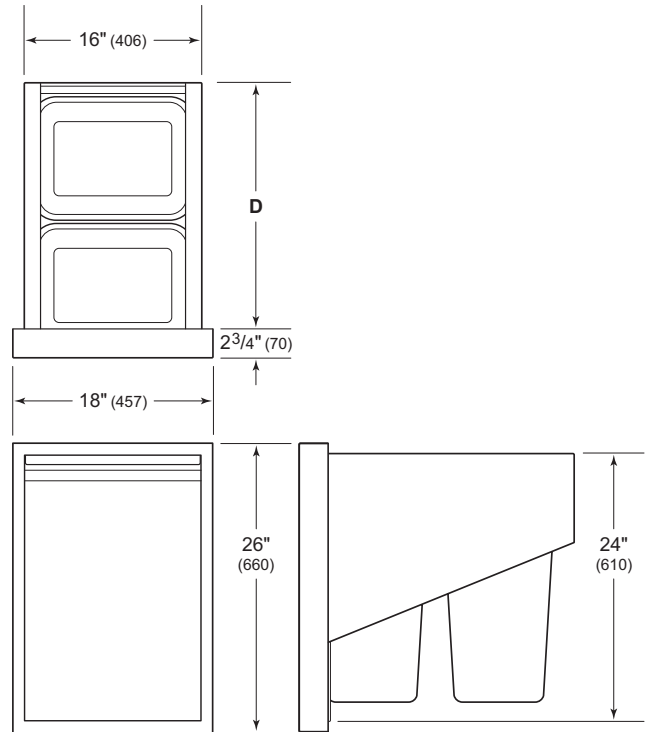


Accessory Drawers and Doors

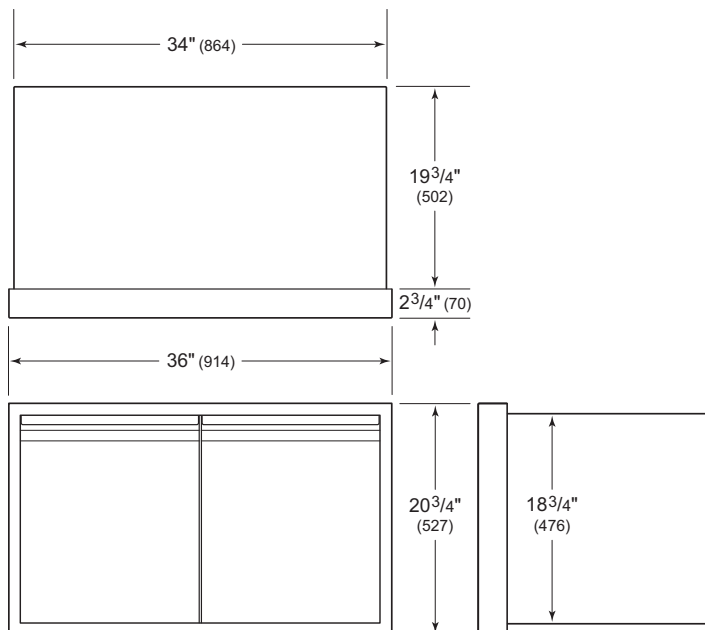
TALL DRY STORAGE



TRASH/RECYCLING DRAWER



SHORT DRY STORAGE

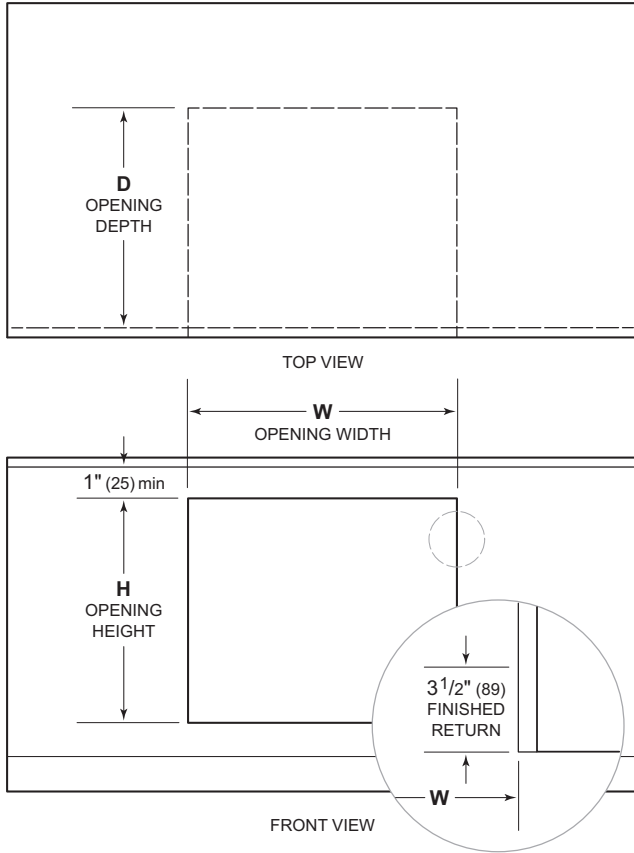


DEPTH

| | D |
|--------|---------------|
| Single | 19 1/2" (495) |
| Double | 22 1/2" (572) |

Accessory Drawers and Doors

INSTALLATION



| OPENING | W | H | D |
|------------------------|--|--|--|
| Single Drawer | 27 ¹ / ₄ " (692) | 9 ³ / ₄ " (248) | 24 ¹ / ₄ " (616) |
| Paper Towel Drawer | 14 ³ / ₄ " (375) | 8 ¹ / ₄ " (210) | 19 ¹ / ₄ " (489) |
| 2- or 3-Drawer | 12 ¹ / ₄ " (311) | 19 ¹ / ₄ " (489) | 18 ¹ / ₄ " (464) |
| Drawer/Door | 28 ³ / ₄ " (730) | 19 ¹ / ₄ " (489) | 18 ¹ / ₄ " (464) |
| Tall Dry Storage | 22 ¹ / ₄ " (565) | 32 ¹ / ₄ " (819) | 20" (508) |
| Short Dry Storage | 34 ¹ / ₄ " (870) | 19" (483) | 20" (508) |
| Single Trash/Recycling | 16 ¹ / ₄ " (413) | 24 ¹ / ₄ " (616) | 19 ³ / ₄ " (502) |
| Double Trash/Recycling | 16 ¹ / ₄ " (413) | 24 ¹ / ₄ " (616) | 22 ³ / ₄ " (578) |

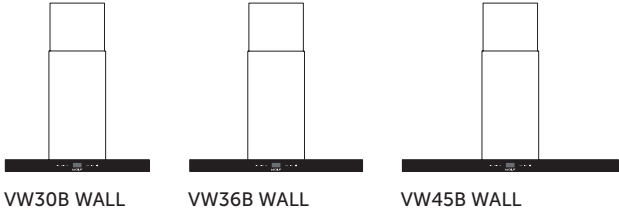
| BASE SUPPORT | MIN |
|----------------|-----------------|
| 2- or 3-Drawer | 150 lb (68 kg) |
| Drawer/Door | 150 lb (68 kg) |
| Dry Storage | 300 lb (136 kg) |

IMPORTANT NOTE: The opening dimensions provided are for a standard installation. For a flush installation, refer to the overall dimensions and adjust the opening dimensions accordingly.

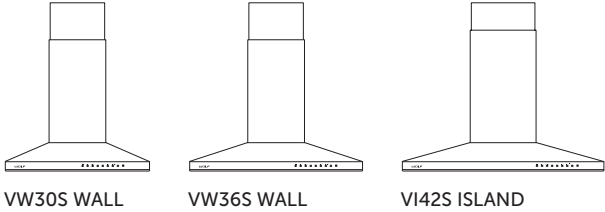
Cooktop Hoods

MODELS

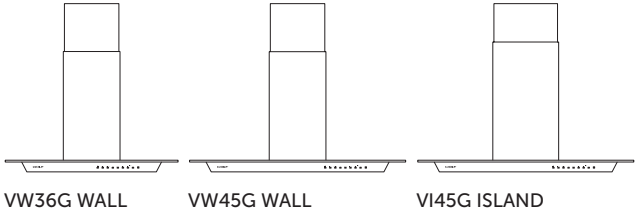
BLACK



STAINLESS



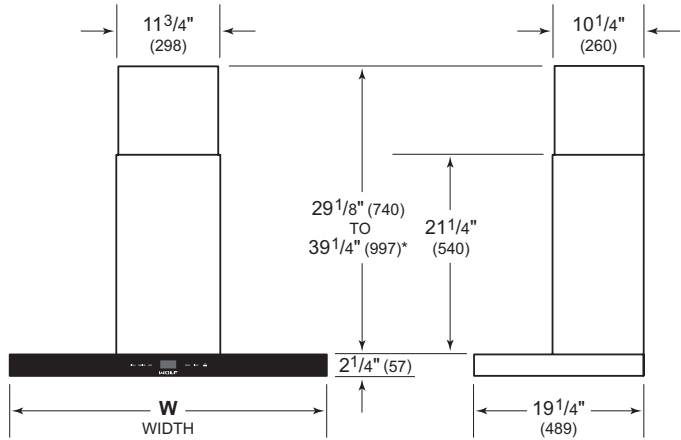
GLASS



Cooktop Ventilation Hoods

Cooktop Hoods

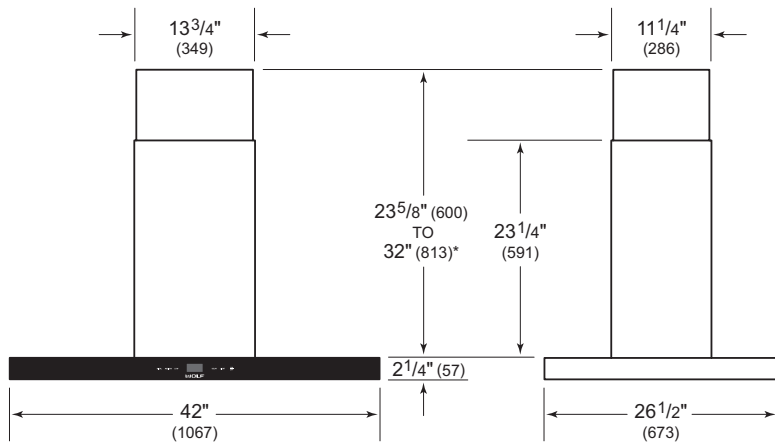
WALL HOODS—BLACK



*49 1/8" (1248) to 59 1/4" (1505) with accessory flue extension.

| WIDTH | W |
|-------|------------|
| VW30B | 30" (762) |
| VW36B | 36" (914) |
| VW45B | 45" (1143) |

ISLAND HOOD—BLACK

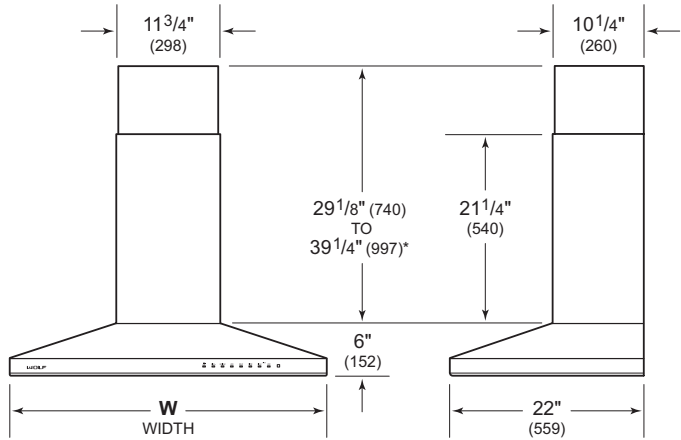


*51 1/8" (1299) to 59 1/2" (1511) with accessory flue extension.

Cooktop Ventilation Hoods

Cooktop Hoods

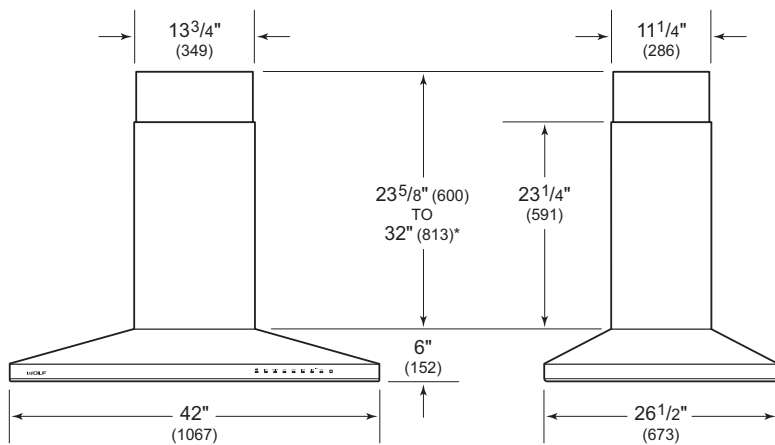
WALL HOODS—STAINLESS



* $49\frac{1}{8}"$ (1248) to $59\frac{1}{4}"$ (1505) with accessory flue extension.

| WIDTH | W |
|-------|-----------|
| VW30S | 30" (762) |
| VW36S | 36" (914) |

ISLAND HOOD—STAINLESS

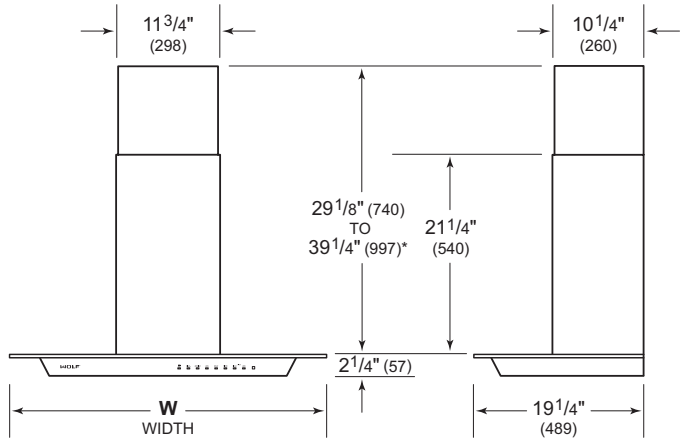


* $51\frac{1}{8}"$ (1299) to $59\frac{1}{2}"$ (1511) with accessory flue extension.

Cooktop Ventilation Hoods

Cooktop Hoods

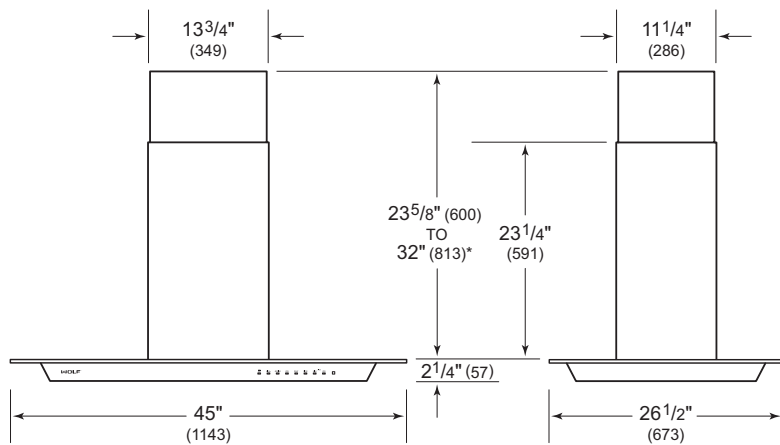
WALL HOODS—GLASS



* $49\frac{1}{8}"$ (1248) to $59\frac{1}{4}"$ (1505) with accessory flue extension.

| WIDTH | W |
|-------|------------|
| VW36G | 36" (914) |
| VW45G | 45" (1143) |

ISLAND HOOD—GLASS



* $51\frac{1}{8}"$ (1299) to $59\frac{1}{2}"$ (1511) with accessory flue extension.

Cooktop Ventilation Hoods

Planning Information

Wolf Cooktop Ventilation Hoods are recommended for use with Wolf Induction, Electric and Gas Cooktops, and Modules. For Wolf Ranges and Rangetops, a Pro Ventilation Hood is recommended.

These hoods have a telescopic chimney flue. A flue extension is available through an authorized Wolf dealer.

Installation of the cooktop hood should be 24" (610) to 36" (914) from the bottom of the hood to the countertop.

Wall and island hoods require an internal, in-line, or remote blower assembly, available through an authorized Wolf dealer. For local dealer information, visit the find a showroom section of our website, wolfappliance.com. Refer to Ventilation Suggestions on pages 154–157. Cooktop Hoods have a vertical discharge with 6" (152) round duct.

Consult a qualified HVAC professional for specific installation and ducting applications.

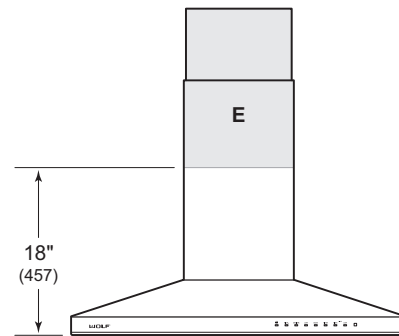
ELECTRICAL REQUIREMENTS

Installation must comply with all applicable electrical codes.

For wall hoods, locate the electrical supply within the shaded area shown in the illustration below. For island hoods, locate the electrical supply on the ceiling inside the top of the hood. A separate circuit servicing only this appliance is required.

ELECTRICAL REQUIREMENTS

| | |
|-------------------|------------------------------|
| Electrical Supply | grounded, 110/120 VAC, 60 Hz |
| Service | 15 amp dedicated circuit |



24" (610) TO 36" (914) BOTTOM EDGE TO COUNTERTOP

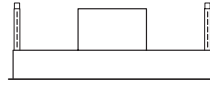
Electrical location for all wall hoods

Ceiling-Mounted Hood

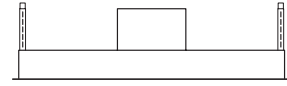
The Ceiling-Mounted Hood is our most contemporary ventilation offering, nearly disappearing into its surroundings. It comes in two widths and is available in stainless steel or white glass. The hood ships with a remote control and can be operated using the remote control or the control panel. The control panel is recessed into the right side of the hood. The dishwasher-safe filters can be removed easily for cleaning.

CEILING-MOUNTED HOOD

STAINLESS STEEL

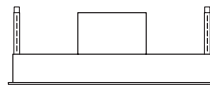


VC36S

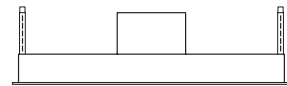


VC48S

WHITE GLASS



VC36W

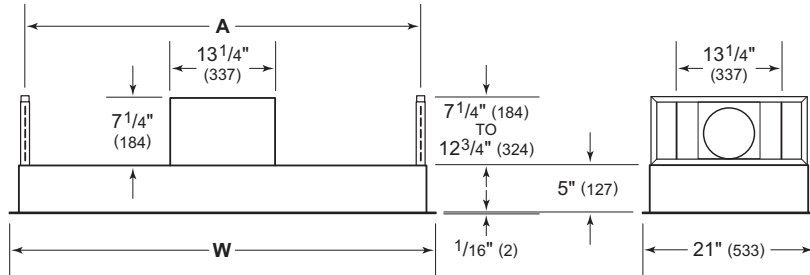


VC48W

Cooktop Ventilation Hoods

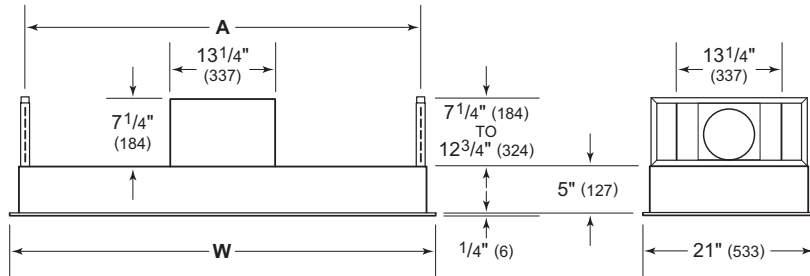
Ceiling-Mounted Hood

STAINLESS STEEL



| DIMENSIONS | W | A |
|------------|-------------------------|-------------------------|
| 36" Hood | $35\frac{1}{2}"$ (902) | $33\frac{1}{8}"$ (841) |
| 48" Hood | $47\frac{1}{4}"$ (1200) | $44\frac{1}{8}"$ (1121) |

WHITE GLASS



| DIMENSIONS | W | A |
|------------|-------------------------|-------------------------|
| 36" Hood | $35\frac{1}{2}"$ (902) | $33\frac{1}{8}"$ (841) |
| 48" Hood | $47\frac{1}{4}"$ (1200) | $44\frac{1}{8}"$ (1121) |

Planning Information

Installation of the Ceiling-Mounted Hood should be 36" (914) to 84" (2134) from the bottom of the hood to the countertop.

The hood can be operated using the remote control or the control panel located on the right side of the hood.

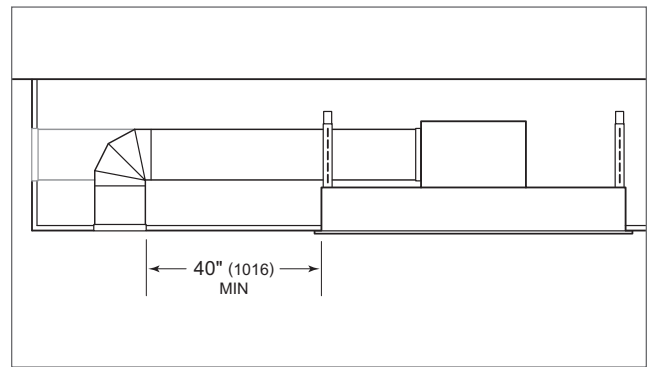
The hood is shipped without a blower assembly. Internal, in-line, and remote blowers are available through an authorized Wolf dealer. For local dealer information, visit the find a showroom section of our website, wolfappliance.com. Refer to Ventilation Suggestions on pages 154–157.

Ceiling-Mounted Hoods include a 6" (152) round discharge for internal blowers and a 10" (254) round discharge for in-line and remote blowers. For an internal blower, the blower box can be rotated to discharge right, left, front, or rear. For an in-line or remote blower, the discharge is vertical only.

Consult a qualified HVAC professional for specific installation and ducting applications.

RECIRCULATING APPLICATION

The Ceiling-Mounted Hood with an internal blower only, can be installed in a recirculating application. The air discharge must be a minimum of 40" (1016) from every side of the hood. Refer to the illustration below. The ductwork and vent cover are not provided. A recirculation kit, available through an authorized Wolf dealer, is required.



Recirculating application

Cooktop Ventilation Hoods

Planning Information

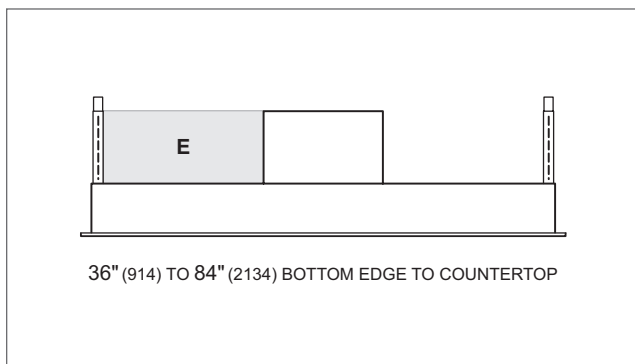
ELECTRICAL REQUIREMENTS

Installation must comply with all applicable electrical codes.

Locate the electrical supply within the shaded area shown in the illustration below. Allow a minimum 12" (305) Romex® wire for connection. A separate circuit servicing only this appliance is required.

ELECTRICAL REQUIREMENTS

| | |
|-------------------|--------------------------|
| Electrical Supply | grounded, 120 VAC, 60 Hz |
| Service | 15 amp dedicated circuit |



Electrical location

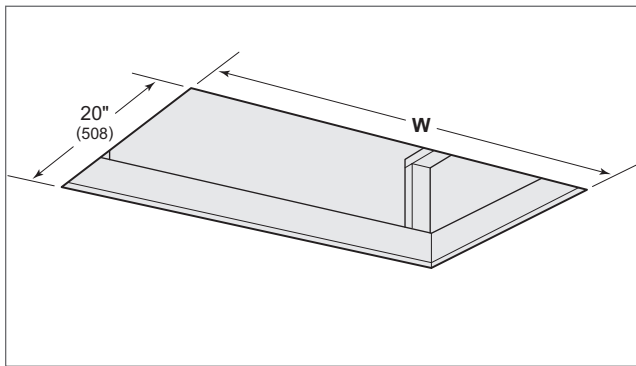
Cooktop Ventilation Hoods

Opening Dimensions

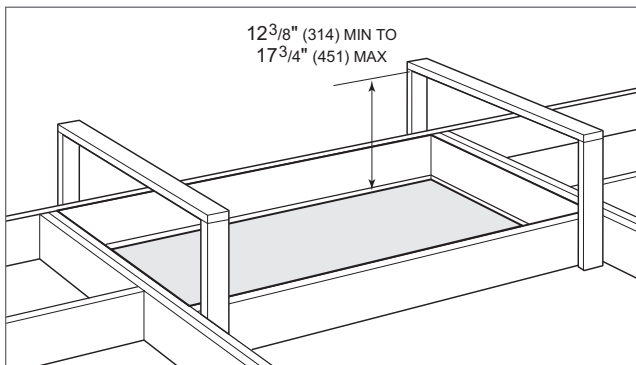
CEILING-MOUNTED HOOD

Refer to the chart and illustrations below for opening dimensions and typical framing. Framing must be able to support a minimum of 100 lb (45 kg).

| HOOD | W |
|----------|-------------|
| 36" Hood | 34½" (873) |
| 48" Hood | 46¼" (1175) |



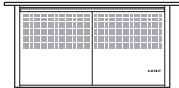
Opening dimensions



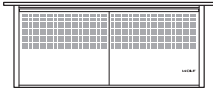
Support framing (typical)

Downdraft Ventilation

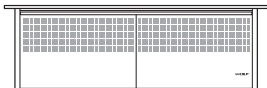
MODELS



DD30



DD36



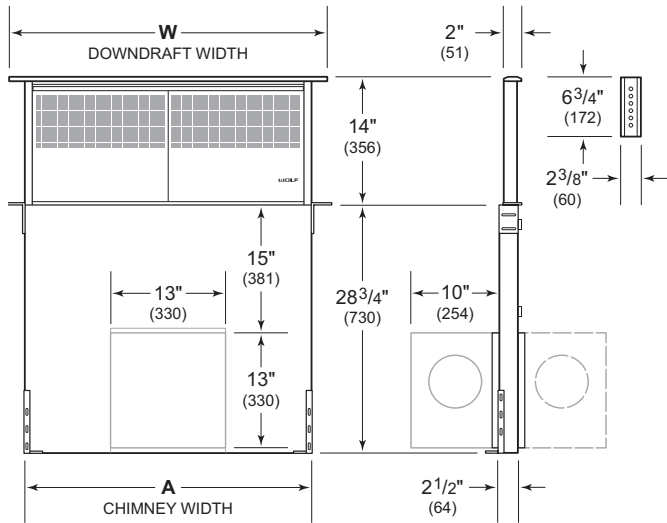
DD45



Downdraft Ventilation

Downdraft Ventilation

DIMENSIONS



NOTE: Shown with front mounted internal blower with 6" (152) round discharge, dashed line represents rear mount.

| WIDTH | W | A |
|-------|------------|---------------|
| DD30 | 30" (762) | 26 1/2" (673) |
| DD36 | 36" (914) | 32 1/2" (826) |
| DD45 | 45" (1143) | 38 1/2" (978) |

Planning Information

Wolf Downdrafts can be installed with most Wolf cooktops, but are not compatible with the Grill, Steamer, and Fryer Modules. Downdrafts can be installed with Sealed Burner Rangetop Models SRT304 and SRT366.

For installation with a Wolf cooktop, a minimum 25½" (638) deep flat countertop is required.

For installation with a Sealed Burner Rangetop or 30" (762) or 36" (914) contemporary cooktop, an accessory trim kit is required. Contact an authorized Wolf dealer for details. For local dealer information, visit the find a showroom section of our website, wolfappliance.com.

The remote-mounted control module can be positioned horizontally or vertically. It must be located within 9' (2.7 m) of the downdraft assembly and a minimum 3" (76) from the edge of the cooktop cutout.

Consult a qualified HVAC professional for specific installation and ducting applications.

BLOWERS

Internal, in-line, and remote blowers are available through an authorized Wolf dealer. For local dealer information, visit the find a showroom section of our website, wolfappliance.com. Refer to Ventilation Suggestions on pages 154–157.

Internal blowers have a 6" (152) round discharge, can be front or rear mounted, and can be discharged in any direction by rotating the blower box. In-line and remote blowers have a 10" (254) discharge and can be discharged from the front or rear.

ELECTRICAL REQUIREMENTS

Installation must comply with all applicable electrical codes.

Locate the electrical supply as shown in the illustrations on the following pages. A separate circuit servicing only this appliance is required. A ground fault circuit interrupter (GFCI) is not recommended and may cause interruption of operation.

Certain installations may require the electrical supply be placed in an adjacent cabinet.

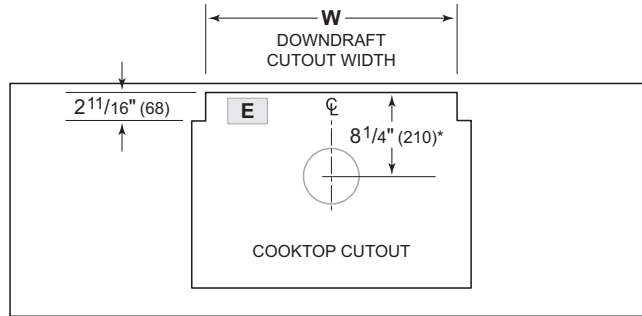
ELECTRICAL REQUIREMENTS

| | |
|-------------------|--------------------------|
| Electrical Supply | grounded, 120 VAC, 60 Hz |
| Service | 15 amp dedicated circuit |
| Receptacle | 3-prong grounding-type |
| Power Cord | 2½' (.8 m) |

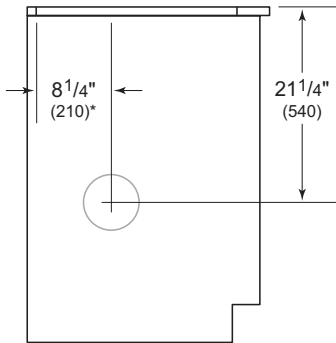
Downdraft Ventilation

Downdraft

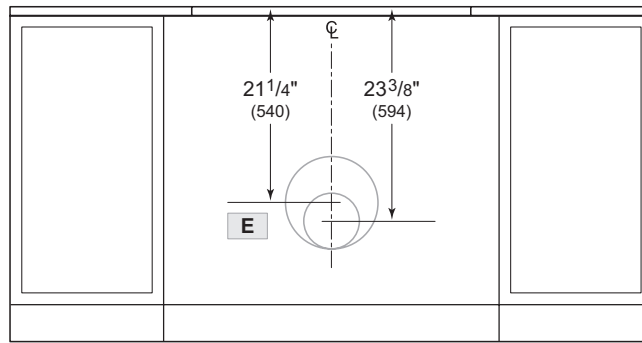
INSTALLATION WITH STANDARD INSTALLED COOKTOP



TOP VIEW



SIDE VIEW



FRONT VIEW

*6" (152) back from countertop cutout when internal blower is rear mounted.

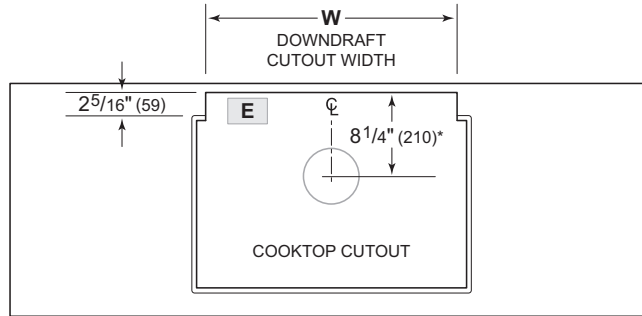
NOTE: Internal blower 6" (152) round, side, rear or bottom discharge. In-line and remote blower 10" (254) round, rear discharge. Centerline indicates center of downdraft cutout.

| CUTOUT WIDTH | W |
|--------------|-------------|
| DD30 | 27½" (699) |
| DD36 | 33½" (851) |
| DD45 | 39½" (1003) |

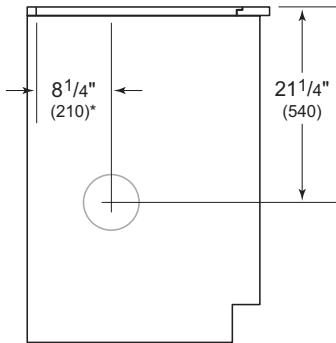
Downdraft Ventilation

Downdraft

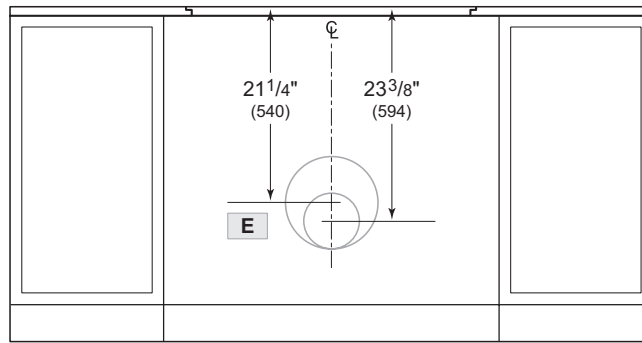
INSTALLATION WITH FLUSH INSTALLED COOKTOP



TOP VIEW



SIDE VIEW



FRONT VIEW

*6" (152) back from countertop cutout when internal blower is rear mounted.

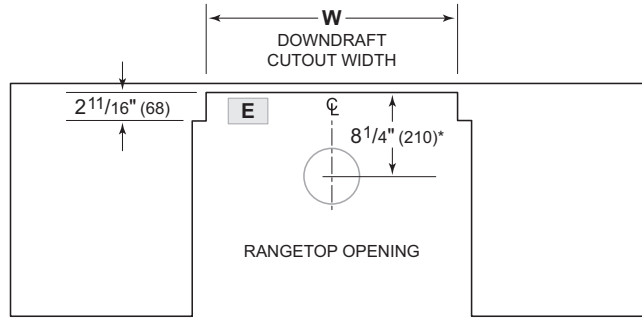
NOTE: Internal blower 6" (152) round, side, rear, or bottom discharge. In-line and remote blower 10" (254) round, rear discharge. Centerline indicates center of downdraft cutout.

| CUTOUT WIDTH | W |
|--------------|---------------|
| DD30 | 27 1/2" (699) |
| DD36 | 33 1/2" (851) |

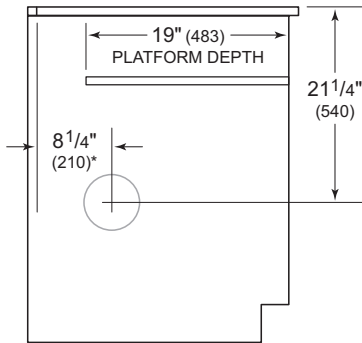
Downdraft Ventilation

Downdraft

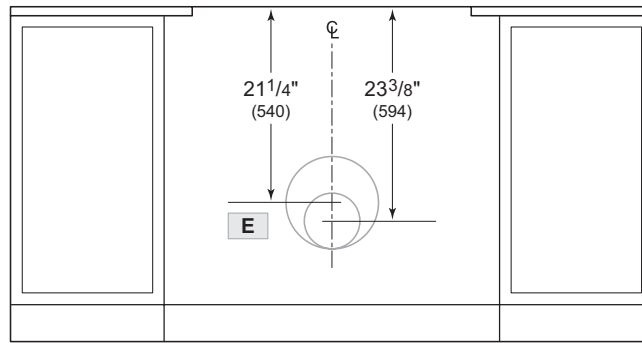
INSTALLATION WITH SEALED BURNER RANGETOP



TOP VIEW



SIDE VIEW



FRONT VIEW

*6" (152) back from countertop cutout when internal blower is rear mounted.

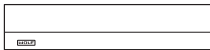
NOTE: Internal blower 6" (152) round, side, rear, or bottom discharge. In-line and remote blower 10" (254) round, rear discharge. Centerline indicates center of downdraft cutout.

| CUTOUT WIDTH | W |
|--------------|------------|
| DD30 | 27½" (699) |
| DD36 | 33½" (851) |

Pro Hoods

MODELS

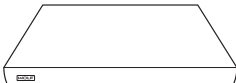
WALL HOODS



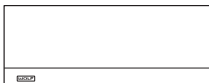
LOW-PROFILE



24"/27" DEEP



CHIMNEY



OUTDOOR

ISLAND HOOD



ISLAND

HOOD LINER



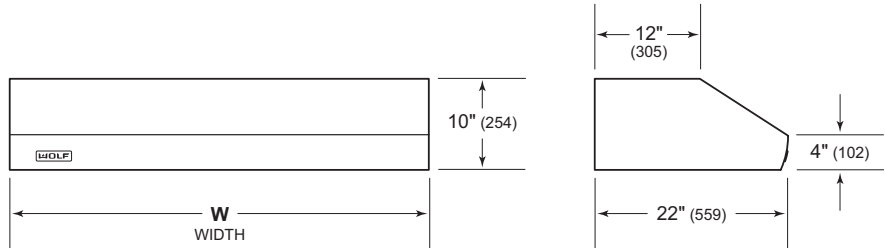
19"/22" DEEP



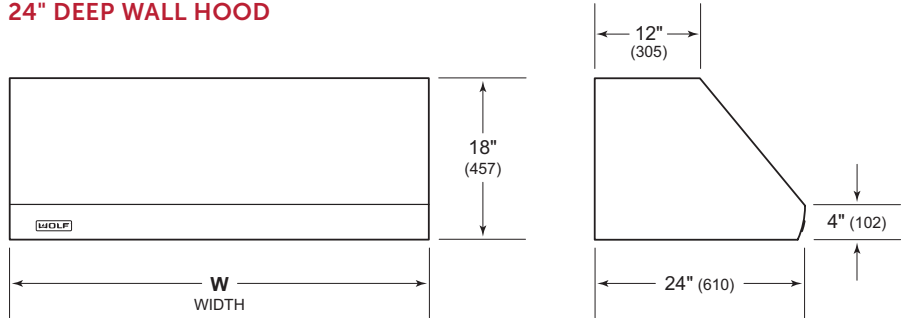
Pro Ventilation Hoods

Pro Hoods

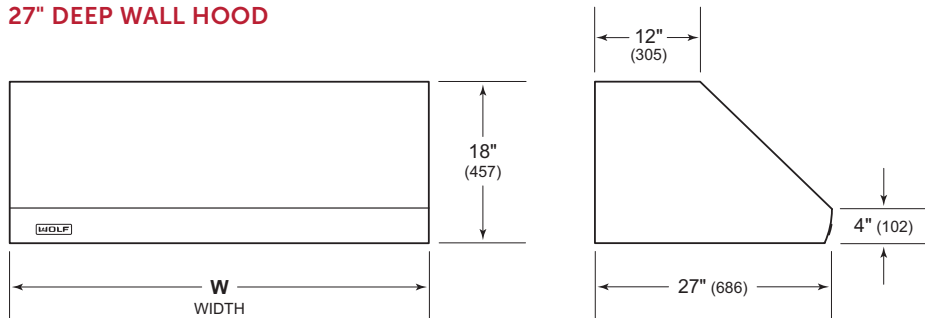
LOW-PROFILE WALL HOOD



24" DEEP WALL HOOD



27" DEEP WALL HOOD



WIDTH

LOW-PROFILE WALL HOOD **W**
30" (762), 36" (914), 42" (1067), 48" (1219)

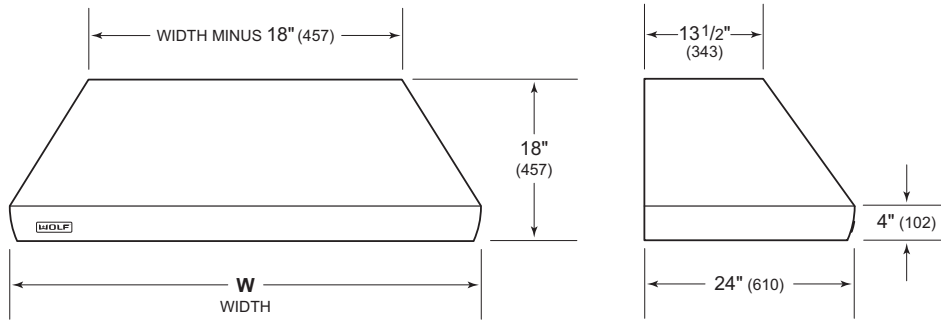
24" DEEP WALL HOOD **W**
30" (762), 36" (914), 42" (1067), 48" (1219)
54" (1372), 60" (1524), 66" (1676)

27" DEEP WALL HOOD **W**
30" (762), 36" (914), 42" (1067), 48" (1219)
54" (1372), 60" (1524), 66" (1676)

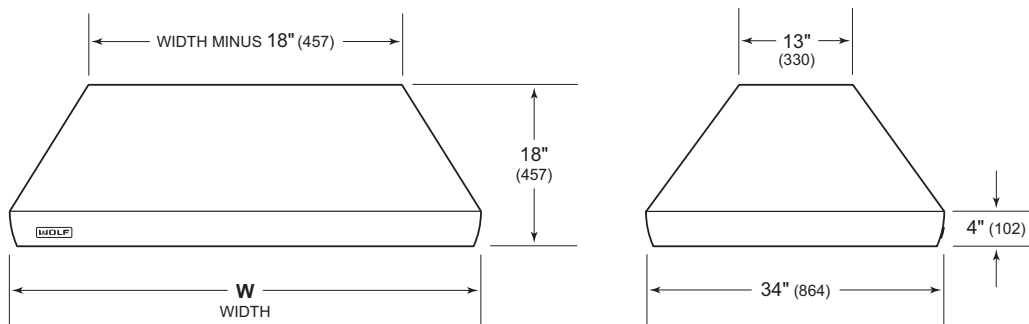
Pro Ventilation Hoods

Pro Hoods

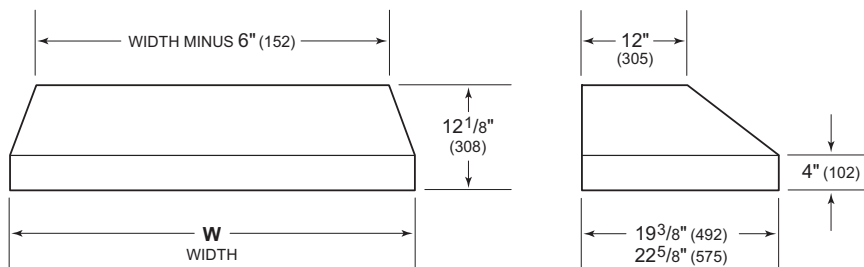
WALL CHIMNEY HOOD



ISLAND HOOD



HOOD LINER



WIDTH

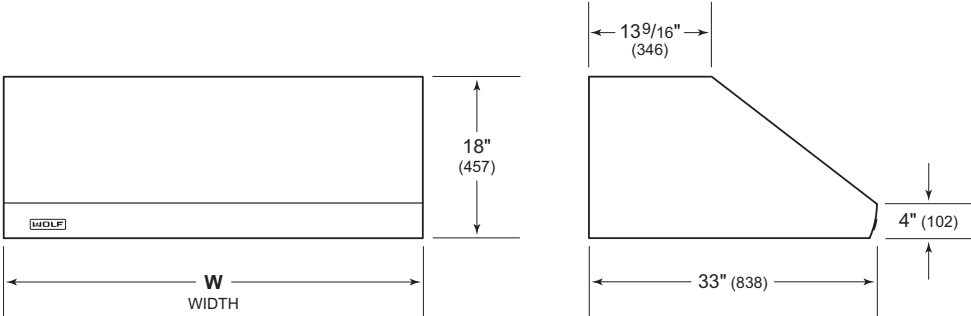
WALL CHIMNEY HOOD **W**
36" (914), 42" (1067), 48" (1219), 54" (1372)

ISLAND HOOD **W**
36" (914), 42" (1067), 54" (1372), 66" (1676)

HOOD LINER **W**
34 3/8" (873), 40 3/8" (1026), 46 3/8" (1178)
52 3/8" (1330), 58 3/8" (1483)

Pro Hoods

OUTDOOR WALL HOOD



WIDTH

OUTDOOR WALL HOOD

W

36" (914), 48" (1219), 60" (1524)

Planning Information

Pro Ventilation Hoods and hood liners are recommended for use with all Wolf cooking appliances. Wall hoods should be at least as wide as the cooking surface and island hoods should be 3" (76) wider on each side.

For optimal performance in wall hood applications, a Pro 27" deep wall hood is recommended for use with ranges and rangetops with a charbroiler or griddle.

Installation of all Pro Hoods except the outdoor wall hood should be 30" (762) to 36" (914) from the bottom of the hood to the countertop. Installation of the outdoor wall hood should be 36" (914) to 42" (1067) from the bottom of the hood to the countertop.

Pro Hoods and hood liners are shipped without a blower assembly. Internal, in-line, and remote blowers are available through an authorized Wolf dealer. For local dealer information, visit the find a showroom section of our website, wolfappliance.com. The blower will vary in size and is dictated by the cooking unit, volume of air, and length of the duct run. Refer to Ventilation Suggestions on pages 154–157.

Pro Hoods accommodate a 10" (254) round duct. Low-profile wall hoods allow for an adjustable discharge. All other Pro Hoods have a vertical discharge. For the 24" and 27" deep wall hoods, a horizontal discharge kit is available through an authorized Wolf dealer.

Consult a qualified HVAC professional for specific installation and ducting applications.

Optional stainless steel duct covers in a variety of heights are available for Pro wall and island hoods through an authorized Wolf dealer.

RECIRCULATING APPLICATION

Low-profile, 24" deep, and 27" deep wall hoods with an internal blower (600 CFM or less), 30" (762) and 36" (914) widths only, can be used in a non-ducted application with a recirculating filter. In this installation, kitchen air is purified through the filters and returned as clean air into the room. A recirculation kit, available through an authorized Wolf dealer, is required.

CUSTOM HOOD APPLICATIONS

Wolf Pro hood liners are for use in custom hood applications. The decorative hood can be created out of wood, plaster, tile, or metal. The shape of the hood is not critical, however, the bottom of the hood and liner must be on the same plane. The height of the liner does not need to accommodate the entire height of the decorative hood.

ELECTRICAL REQUIREMENTS

Installation must comply with all applicable electrical codes.

Locate the electrical supply as shown in the illustrations on the following page. A separate circuit servicing only this appliance is required.

For the outdoor wall hood, a ground fault circuit interrupter (GFCI) is required to reduce the risk of electrical shock.

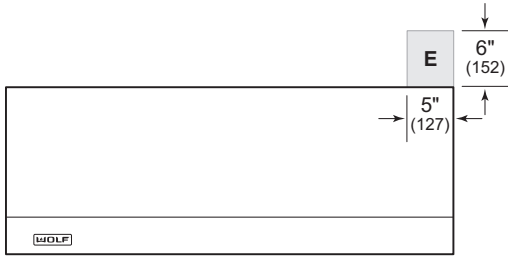
ELECTRICAL REQUIREMENTS

| | |
|-------------------|--------------------------|
| Electrical Supply | grounded, 120 VAC, 60 Hz |
| Service | 15 amp dedicated circuit |

Pro Ventilation Hoods

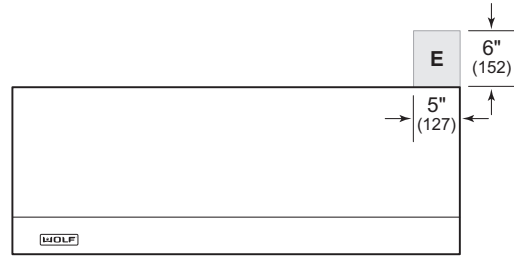
Installation

LOW-PROFILE / 24" DEEP / 27" DEEP WALL HOOD



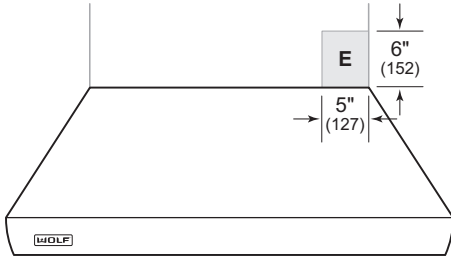
30" (762) TO 36" (914) BOTTOM EDGE TO COUNTERTOP

OUTDOOR WALL HOOD



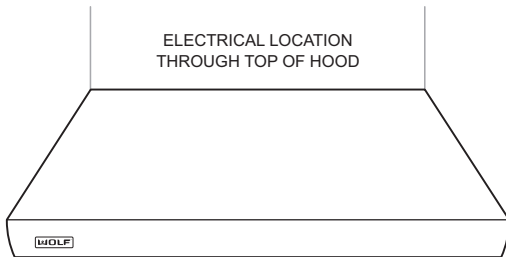
36" (914) TO 42" (1067) BOTTOM EDGE TO COUNTERTOP

WALL CHIMNEY HOOD



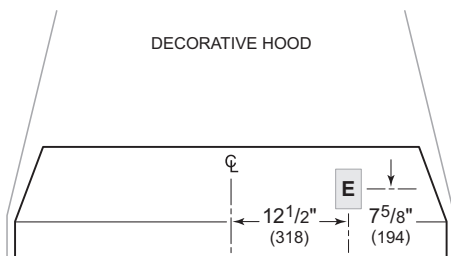
30" (762) TO 36" (914) BOTTOM EDGE TO COUNTERTOP

ISLAND HOOD



30" (762) TO 36" (914) BOTTOM EDGE TO COUNTERTOP

HOOD LINER



30" (762) TO 36" (914) BOTTOM EDGE TO COUNTERTOP

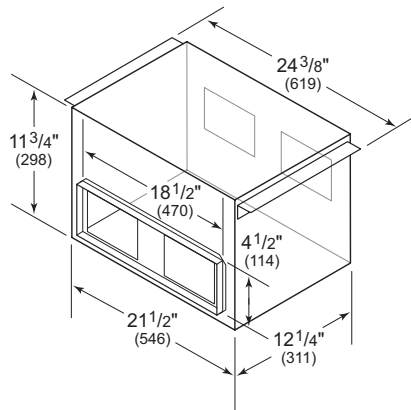
Blower Assemblies

For Wolf Ventilation Hoods and Downdrafts that do not include a blower assembly, an internal, in-line, or remote blower assembly must be selected to accommodate the cooking appliance, CFM requirements, and homeowner preferences. Internal, in-line, and remote blowers are available through an authorized Wolf dealer. For local dealer information, visit the find a showroom section of our website, wolfappliance.com.

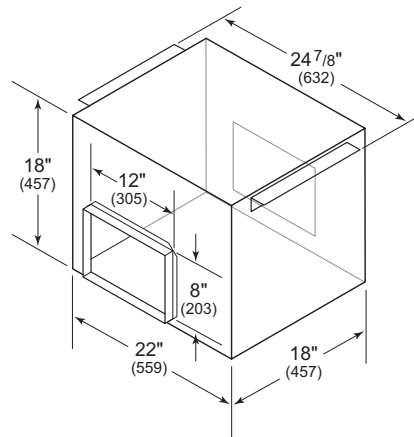
Ventilation suggestions on the following pages provide Wolf product CFM and blower options for each Ventilation Hood and Downdraft.

Refer to the illustrations below for dimensions of Wolf in-line and remote blowers. Installation instructions shipped with each Wolf ventilation product provide detailed specifications. These instructions can also be found on our website, wolfappliance.com/specs.

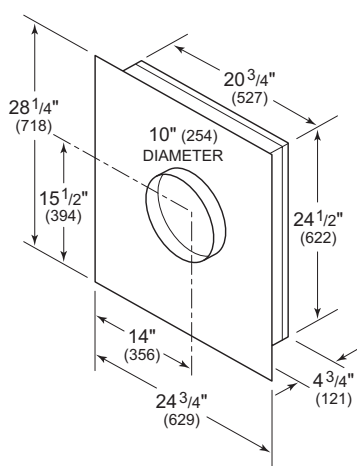
600 CFM IN-LINE



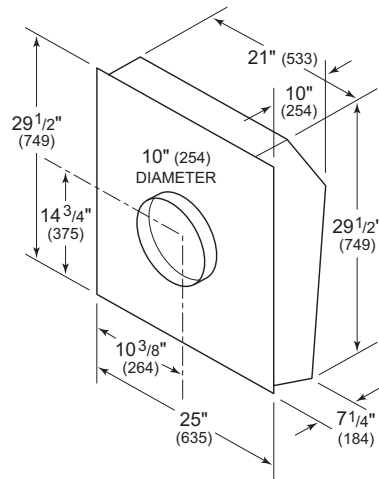
1100 CFM IN-LINE



600 / 900 CFM REMOTE



1500 CFM REMOTE



Ventilation Suggestions

Wolf Product CFM

| CFM | COOKTOP HOOD | DOWNDRAFT | PRO HOOD |
|---|--------------|-----------|----------|
| COOKTOP / MODULE | | | |
| CI152TF/S CG152TF/S | 300 | 600 | 300 |
| SM15TF/S FM15TF/S GM15TF/S | 300 | | 300 |
| TM15TF/S MM15TF/S | 300 | 600 | 300 |
| CI243TF/S CI243C/B CG243TF/S | 300 | | 300 |
| CI30460T/S CI30460C/B CI304TF/S CI304T/S CI304C/B | 300 | 600 | 300 |
| CE304T/S CE304C/B | 300 | 600 | 300 |
| CG304T/S CG304P/S | 300 | 600 | 300 |
| CI36560T/S CI36560C/B CI365TF/S CI365T/S CI365C/B | 300 | 600 | 300 |
| CE365T/S CE365C/B | 300 | 600 | 300 |
| CG365T/S CG365P/S CG365C/S | 300 | 600 | 300 |
| DUAL FUEL RANGE | | | |
| DF30450/S/P | | | 500 |
| DF36650/S/P DF36450C/S/P DF36450G/S/P | | | 800 |
| DF48850/S/P DF48650C/S/P DF48650G/S/P DF48450CG/S/P DF48450DG/S/P DF48450F/S/P | | | 1100 |
| DF60650CG/S/P DF60650DG/S/P DF60650F/S/P | | | 1500 |
| GAS RANGE | | | |
| GR304 | | | 500 |
| GR366 GR364C GR364G | | | 800 |
| GR488 GR486C GR486G GR484CG GR484DG | | | 1100 |
| GR606CG GR606DG | | | 1500 |
| INDUCTION RANGE | | | |
| IR30450/S/T IR30450/S/P | 300 | | 300 |
| IR36550/S/T IR36550/S/P | 300 | | 300 |
| SEALED BURNER RANGETOP | | | |
| SRT304 | | 600 | 500 |
| SRT366 | | 600 | 800 |
| SRT364C SRT364G SRT362W | | | 800 |
| SRT486C SRT486G SRT484CG SRT484DG SRT484W | | | 800 |

Sub-Zero, Sub-Zero & Design, Sub-Zero & Snowflake Design, Dual Refrigeration, The Living Kitchen, Great American Kitchens The Fine Art of Kitchen Design, Wolf, Wolf & Design, Wolf Gourmet, W & Design, red colored knobs, Cove, and Cove & Design are registered trademarks and service marks of Sub-Zero Group, Inc. and its subsidiaries. All other trademarks are property of their respective owners in the United States and other countries.

Ventilation Suggestions

Wolf Ventilation Blower Options

| INTERNAL BLOWER (CFM) | 300 INT* | 400 INT* | 500 INT | 600 INT | 800 INT | 1200 INT |
|-------------------------------------|----------|----------|---------|---------|---------|----------|
| COOKTOP HOOD | | | | | | |
| VW30B VW36B VW45B VI42B | • | | | • | | |
| VW30S VW36S VI42S | • | | | • | | |
| VW36G VW45G VI45G | • | | | • | | |
| CEILING-MOUNTED HOOD | | | | | | |
| VC36S VC36W VC48S VC48W | | | | • | | |
| DOWNDRAFT | | | | | | |
| DD30 DD36 DD45 | | | | • | | |
| PRO LOW-PROFILE WALL HOOD | | | | | | |
| PW302210 PW362210 | | | • | | | |
| PW422210 PW482210 | | | • | | | |
| PRO 24" WALL HOOD | | | | | | |
| PW302418 PW362418 PW422418 | • | • | | • | • | • |
| PW482418 PW542418 | • | • | | • | • | • |
| PW602418 PW662418 | • | • | | • | • | • |
| PRO 27" WALL HOOD | | | | | | |
| PW302718 PW362718 PW422718 | • | • | | • | • | • |
| PW482718 PW542718 | • | • | | • | • | • |
| PW602718 PW662718 | • | • | | • | • | • |
| PRO WALL CHIMNEY HOOD | | | | | | |
| PWC362418 PWC422418 | • | • | | • | • | • |
| PWC482418 PWC542418 | • | • | | • | • | • |
| PRO ISLAND HOOD | | | | | | |
| PI363418 PI423418 | • | • | | • | • | • |
| PI543418 | • | • | | • | • | • |
| PI663418 | • | • | | • | • | • |
| PRO HOOD LINER | | | | | | |
| PL341912 PL342212 PL401912 PL402212 | • | • | | • | • | • |
| PL461912 PL462212 | • | • | | • | • | • |
| PL521912 PL522212 | • | • | | • | • | • |
| PL581912 PL582212 | • | • | | • | • | • |
| OUTDOOR WALL HOOD | | | | | | |
| PW363318O PW483318O PW603318O | | | | | | • |

*For make-up air restricted applications. Capture and performance may be reduced.

Ventilation Suggestions

Wolf Ventilation Blower Options

| IN-LINE / REMOTE BLOWER (CFM) | 600 IL | 1100 IL | 600 REM | 900 REM | 1500 REM |
|-------------------------------------|--------|---------|---------|---------|----------|
| COOKTOP HOOD | | | | | |
| VW30B VW36B VW45B VI42B | • | | • | | |
| VW30S VW36S VI42S | • | | • | | |
| VW36G VW45G VI45G | • | | • | | |
| CEILING-MOUNTED HOOD | | | | | |
| VC36S VC36W VC48S VC48W | • | | • | | |
| DOWNDRAFT | | | | | |
| DD30 DD36 DD45 | • | | • | | |
| PRO LOW-PROFILE WALL HOOD | | | | | |
| PW302210 PW362210 | • | • | • | • | • |
| PW422210 PW482210 | • | • | • | • | • |
| PRO 24" WALL HOOD | | | | | |
| PW302418 | • | • | • | • | • |
| PW362418 PW422418 PW482418 PW542418 | • | • | • | • | • |
| PW602418 PW662418 | • | • | • | • | • |
| PRO 27" WALL HOOD | | | | | |
| PW302718 | • | • | • | • | • |
| PW362718 PW422718 PW482718 PW542718 | • | • | • | • | • |
| PW602718 PW662718 | • | • | • | • | • |
| PRO WALL CHIMNEY HOOD | | | | | |
| PWC362418 PWC422418 | • | • | • | • | • |
| PWC482418 PWC542418 | • | • | • | • | • |
| PRO ISLAND HOOD | | | | | |
| PI363418 PI423418 | • | • | • | • | • |
| PI543418 | • | • | • | • | • |
| PI663418 | • | • | • | • | • |
| PRO HOOD LINER | | | | | |
| PL341912 PL342212 PL401912 PL402212 | • | • | • | • | • |
| PL461912 PL462212 | • | • | • | • | • |
| PL521912 PL522212 | • | • | • | • | • |
| PL581912 PL582212 | • | • | • | • | • |
| OUTDOOR WALL HOOD | | | | | |
| PW363318O PW483318O PW603318O | | • | | | • |

Wolf Appliance Residential Limited Warranty

FOR RESIDENTIAL USE

FULL TWO YEAR WARRANTY*

For two years from the date of original installation, this Wolf Appliance product warranty covers all parts and labor to repair or replace, under normal residential use, any part of the product that proves to be defective in materials or workmanship. All service provided by Wolf Appliance under the above warranty must be performed by Wolf Factory Certified Service, unless otherwise specified by Wolf Appliance, Inc. Service will be provided during normal business hours.

LIMITED FIVE YEAR WARRANTY

For five years from the date of original installation, Wolf Appliance will repair or replace the following parts that prove to be defective in materials or workmanship: gas burners (excludes appearance), electric heating elements, blower motors (ventilation hoods), electronic control boards, magnetron tubes and induction generators. If the owner uses Wolf Factory Certified Service, the service provider will repair or replace these parts with the owner paying for all other costs, including labor. If the owner uses non-certified service, the owner must contact Wolf Appliance, Inc. (using the information below) to receive repaired or replacement parts. Wolf Appliance will not reimburse the owner for parts purchased from non-certified service or other sources.

TERMS APPLICABLE TO EACH WARRANTY

The warranty applies only to products installed for normal residential use. The warranty applies only to products installed in any one of the fifty states of the United States, the District of Columbia or the ten provinces of Canada. This warranty does not cover any parts or labor to correct any defect caused by negligence, accident or improper use, maintenance, installation, service or repair.

THE REMEDIES DESCRIBED ABOVE FOR EACH WARRANTY ARE THE ONLY ONES THAT WOLF APPLIANCE, INC. WILL PROVIDE, EITHER UNDER THIS WARRANTY OR UNDER ANY WARRANTY ARISING BY OPERATION OF LAW. WOLF APPLIANCE, INC. WILL NOT BE RESPONSIBLE FOR ANY CONSEQUENTIAL OR INCIDENTAL DAMAGES ARISING FROM THE BREACH OF THIS WARRANTY OR ANY OTHER WARRANTY, WHETHER EXPRESS, IMPLIED OR STATUTORY.

Some states do not allow the exclusion or limitation of incidental or consequential damages, so the above limitation or exclusion may not apply to you. This warranty gives you specific legal rights and you may also have other legal rights that vary from state to state.

To receive parts and/or service and the name of Wolf Factory Certified Service nearest you, contact Wolf Appliance, Inc., P.O. Box 44848, Madison, WI 53744; check the Product Support section of our website, wolfappliance.com, email us at customerservice@subzero.com or call 800-222-7820.

*Stainless steel (doors, panels, handles, product frames and interior surfaces) are covered by a limited 60-day parts and labor warranty for cosmetic defects.

*Replacement filters for ventilation hood recirculating kits are not covered by the product warranty.



Wolf Appliance Outdoor Limited Warranty*

FOR RESIDENTIAL USE

FULL ONE YEAR WARRANTY**

For one year from the date of original installation, this Wolf Appliance product warranty covers all parts and labor to repair or replace, under normal residential use, any part of the product that proves to be defective in materials or workmanship. All service provided by Wolf Appliance under the above warranty must be performed by Wolf Factory Certified Service, unless otherwise specified by Wolf Appliance, Inc. Service will be provided during normal business hours.

LIMITED FIVE YEAR WARRANTY

For five years from the date of original installation, Wolf Appliance will repair or replace the following parts that prove to be defective in materials or workmanship: stainless steel briquette trays, gas valves, drip pans, electronic control boards and electric heating elements. If the owner uses Wolf Factory Certified Service, the service provider will repair or replace these parts with the owner paying for all other costs, including labor. If the owner uses non-certified service, the owner must contact Wolf Appliance, Inc. (using the information below) to receive repaired or replacement parts. Wolf Appliance will not reimburse the owner for parts purchased from non-certified service or other sources.

LIMITED LIFETIME WARRANTY

For the life of the product, Wolf Appliance will repair or replace the following parts that prove to be defective in materials or workmanship: all stainless steel components (excludes surface corrosion, scratches, discoloration, weather and atmospheric related staining and minor surface rust and oxidation). If the owner uses Wolf Factory Certified Service, the service provider will repair or replace these parts with the owner paying for all other costs, including labor. If the owner uses non-certified service, the owner must contact Wolf Appliance, Inc. (using the information below) to receive repaired or replacement parts. Wolf Appliance will not reimburse the owner for parts purchased from non-certified service or other sources.

TERMS APPLICABLE TO EACH WARRANTY

The warranty applies only to products installed for normal residential use. The warranty applies only to products installed in any one of the fifty states of the United States, the District of Columbia or the ten provinces of Canada. This warranty does not cover any parts or labor to correct any defect caused by negligence, accident or improper use, maintenance, installation, service or repair.

THE REMEDIES DESCRIBED ABOVE FOR EACH WARRANTY ARE THE ONLY ONES THAT WOLF APPLIANCE, INC. WILL PROVIDE, EITHER UNDER THIS WARRANTY OR UNDER ANY WARRANTY ARISING BY OPERATION OF LAW. WOLF APPLIANCE, INC. WILL NOT BE RESPONSIBLE FOR ANY CONSEQUENTIAL OR INCIDENTAL DAMAGES ARISING FROM THE BREACH OF THIS WARRANTY OR ANY OTHER WARRANTY, WHETHER EXPRESS, IMPLIED OR STATUTORY.

Some states do not allow the exclusion or limitation of incidental or consequential damages, so the above limitation or exclusion may not apply to you. This warranty gives you specific legal rights and you may also have other legal rights that vary from state to state.

To receive parts and/or service and the name of Wolf Factory Certified Service nearest you, contact Wolf Appliance, Inc., P.O. Box 44848, Madison, WI 53744; check the Product Support section of our website, wolfappliance.com, email us at customerservice@subzero.com or call 800-222-7820.

*Product must be approved for outdoor use, designated by model and serial number.

**Stainless steel (doors, panels, handles, product frames and interior surfaces) are covered by a limited 60-day parts and labor warranty for cosmetic defects.





WOLFAPPLIANCE.COM