

INSTALLATION INSTRUCTIONS

WM85

Washing machine
DOMESTIC

Carefully read the instructions for use before using the washing machine.

Dear Customer,

Read these instructions carefully and completely before you install the machine. The installation should be carried out by a qualified person who is familiar with all local codes and ordinances for electrical and plumbing connections. See also the general Safety Instructions in the Use & Care Guide.


Cosmetic damage must be reported to the ASKO dealer within five days from the date of purchase. As soon as you unpack the machine, thoroughly check it for cosmetic damage.

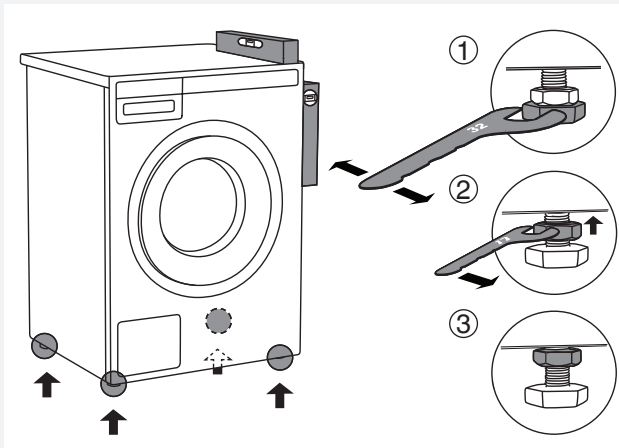
INSTALLATION

Read these instructions carefully and completely before you install the machine. The installation should be carried out by a qualified person who is familiar with all local codes and ordinances for electrical and plumbing connections. Cosmetic damage must be reported to your dealer within five days from the date of purchase. After unpacking the washer, thoroughly check the unit for cosmetic damage.


ADJUSTING THE FEET

Place the washing machine so that it is stable. It is important that the machine is level to prevent excessive vibrations during spin cycles. Each foot of the washer is adjustable, so you can level the washer on any surface. Once it is level, securely tighten the lock nuts on the feet to prevent excessive vibration during spin cycles.

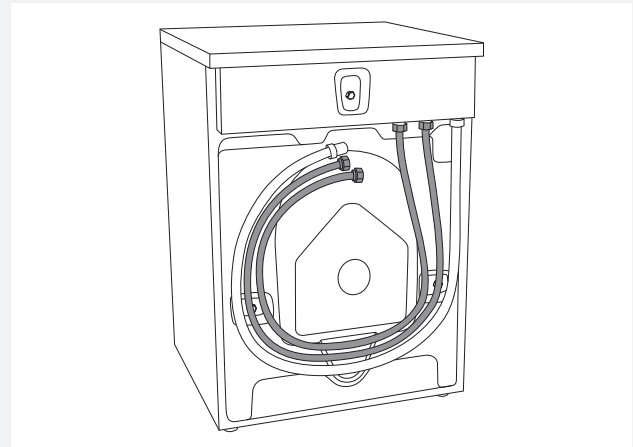
1. Level the washing machine horizontally and vertically by rotating the adjustable feet (using a No. 32 (1.26") spanner). The feet allow levelling by +/- 1 (0.39") cm.
2. When the appropriate height of feet is set, use the wrench No. 17 (0.67") to firmly fasten the counter-nuts towards the bottom of the appliance .
3. Tighten the jam nuts (counter nuts) to the end position. This will reduce washing machine noise to minimum.



CONNECTING TO WATER SUPPLY


 The machine has to be connected to water supply by an adequately trained person.

Since ASKO washers have a built-in heating element, you only need a cold water inlet. The connection should be made by someone who is sufficiently skilled. Use the hose supplied with the washer. (The inlet hose is marked for correct connection.) The water pressure must be in the range 15–146 PSI. A valve should be fitted on the water supply pipe. If a new supply pipe has been installed for the washer, it should be flushed thoroughly to remove any foreign particles that might clog the filter in the fill valve.



The water intake hose has to be fastened firmly enough for the hose to have a good seal. After connecting the hose, the seal must be checked for any leaks.

Only use the water supply hose supplied with the appliance. Do not use any used or other hoses.

 If the unit is installed on a second story, follow local building codes. We recommend installing a drip pan.

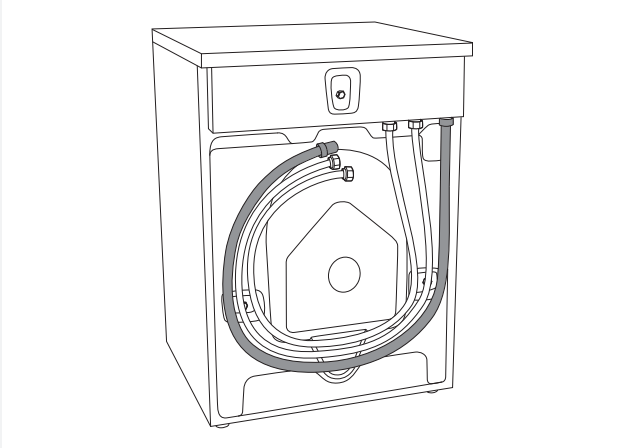
Hot water connection

(depending on model)

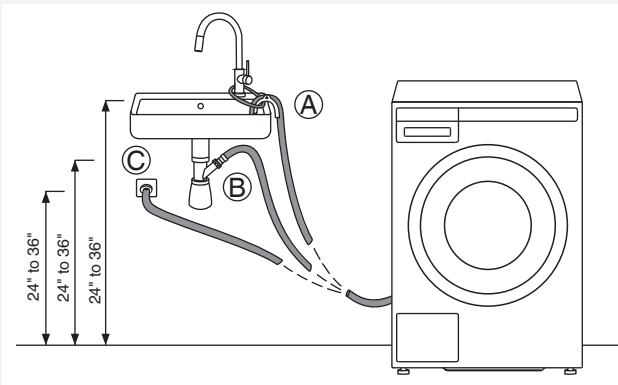
A few seconds after you start a program, the washing machine will begin to fill with water from the hot and cold supplies. If for some reason no hot water is available, the machine waits for one minute and then fills with cold water only. The wash drum does not start to rotate until it begins to fill with water. However, if you choose to connect your ECO-machine to cold water only, it is important that you shut off the hot water connection.

See the "Settings" chapter for information on how to switch between "Hot water On" and "Hot water Off".

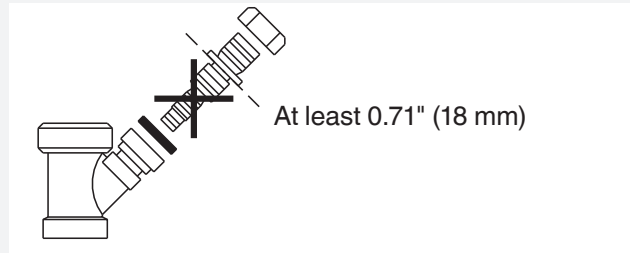
INSTALLING THE DRAIN HOSE



The machine is supplied with the outlet hose already attached. The hose should be extended over a suitable sink edge or drain pipe at a height of 24" to 36" (610 mm to 914 mm) above the bottom of the unit. (The lower height is preferable.) Make sure the hose is not kinked.



Drain hose can also be connected directly to the washbasin drain via a siphon. In this case, the hose, too, should be 24" to 36" (610 mm to 914 mm) above the floor. Internal hose diameter should be at least 0.71" (18 mm). See figure.



💡 If the hose is extended, the internal diameter of the coupling must not be less than ½" (12.2 mm).


⚠ Do not extend the drain hose higher than 36" (914 mm) from the bottom of the unit.


ELECTRICAL CONNECTIONS

The machine is delivered ready-fitted with a plug and is intended for connection to an ASKO Dryer, which is equipped with a matching receptacle. The plug supplied with the washer can only be used with an ASKO Dryer. If the washer is used separately or with another dryer, it must be on a separate 208-240 V single-phase circuit.

If the machine is to be used in a wet area, the supply must be protected by a residual current device.

As supplied: 208-240 V, 60 Hz, 2000 W heating element, 15 A fuse required.

 Repairs and maintenance relating to safety or performance must be carried out by a qualified professional.

 Connection to a permanently wired supply point must be made only by a qualified electrician.

WARNING!

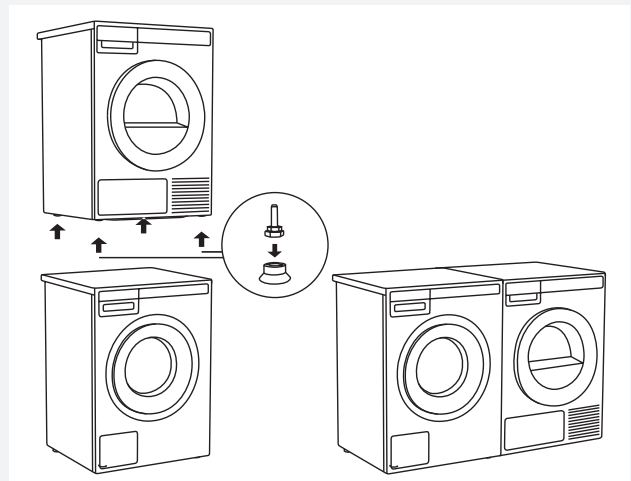
Certain internal parts are intentionally not grounded and may present a risk of electric shock only during servicing. Service Personnel - Do not contact the following parts while the appliance is energized: Motor, Pump and Control unit.


Grounding instructions

This appliance must be grounded. In the event of malfunction or breakdown, grounding will reduce the risk of electric shock by providing a path of least resistance for electric current. This appliance is equipped with a cord having an equipment-grounding conductor and a grounding plug. The plug must be plugged into an appropriate outlet that is properly installed and grounded in accordance with all local codes and ordinances.

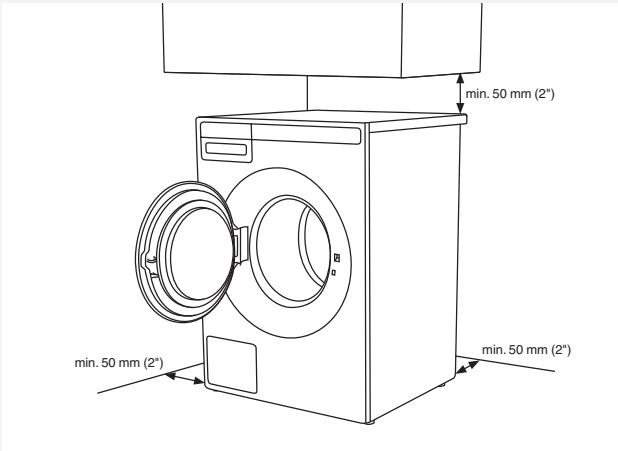
Freestanding installation

The washer can be placed next to the dryer. It is essential that the machine is leveled and the locknuts are tightened to prevent excessive vibration during spin cycles. Also be sure to leave a minimum of $\frac{1}{2}$ " of space between the washer and the dryer. The height adjustment for the washer is $35\frac{1}{2}$ " to $37\frac{1}{2}$ " (900 mm to 950 mm). Do not raise it higher than $34\frac{1}{2}$ " (876 mm).

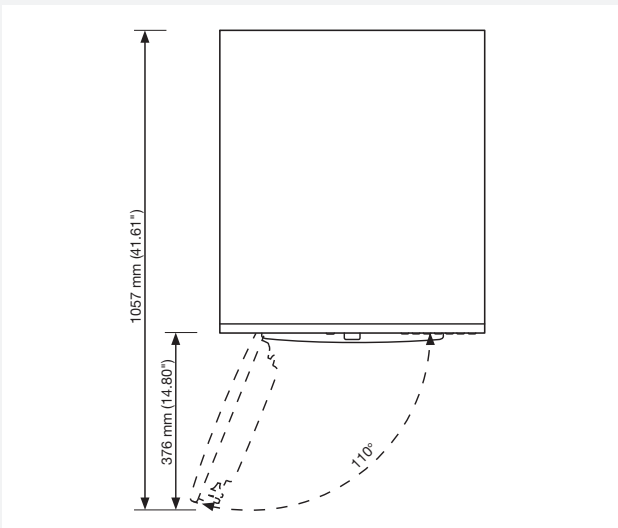


 Improper connection of the equipment-grounding conductor can result in a risk of electric shock. Check with a qualified electrician or serviceman if you are in doubt as to whether the appliance is properly grounded. Do not modify the plug provided with the appliance. If it will not fit the outlet, have a proper outlet installed by a qualified electrician.

Clearances around the washing machine



Opening the washing machine door (top view)

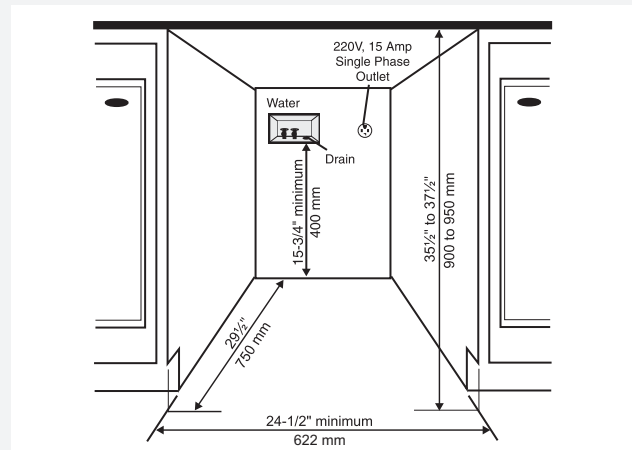


Stacked installation

ASKO washers should never be stacked on a counter or a dryer. You can, however, stack an ASKO dryer on an ASKO washer. Refer to your Dryer Use and Care Guide for instructions on how to do this.

Built-in installation

ASKO washers can be installed beneath a cabinet or worktop with a height of 34" to 35" (900 to 950 mm) or in a closet. There must be a gap of about 1/2" (12 mm) all around the machine, including between the rear edge of the machine's top panel and the back wall. The opening width must be at least 24 1/2" (622 mm). Space must also be available for the fill and drain hoses. See the illustration below for measurements and positions.



If the drain outlet is higher than 24" (610 mm), the connections will need to be recessed.

 **ASKO**

www.askona.com

We reserve the right to modifications.
WM85 DOM US/CA



CE

en (12-19)