



Rated in Top Three

This model was rated in the Top Three by a leading consumer magazine.

30" Single Wall Oven Specifications

- Product Weight – 168 Lbs.
- Single phase 3- or 4-wire cable, 120/240 or 120/208 Volt, 60 Hertz, fused on both sides of line with ground.
- Connected Load (kW Rating) – 240/208 Volts = 4.0/3.0 kW
- Amps @ 240/208 Volts = 16.6/14.4 Amps
- Always consult local and/or national electric codes.
- Allow at least 23-1/4" clearance for oven door depth when open.
- Suggested distance from floor is 31". Minimum required distance is 4-1/2".
- Minimum 24" deep, oven cutout dimension is critical for proper installation. If oven's face profile does not fit flush against cabinet, or if noise is heard from oven's convection system, verify dimension.
- Full oven base of solid plywood or similar material required, capable of supporting 200 Lbs.
- Base must be level and cabinet front must be square.
- Wall Oven not approved for stackable or side-by-side installation.
- Wall Oven can be used in combination with any Electrolux ICON™ Warmer Drawer.
- Wall Oven can also be installed under counter. (Refer to Under-Counter Installation Specifications and drawing.)

NOTE: Wall Oven can be used in under-counter installation beneath select Electrolux ICON™ cooktop models. Models not approved for use in this application are E36GC75ESS, E36EC75ESS, E46GC67ESS, E36GC76EPS, E48GC76EPS, E30EC65ESS, E36EC65ESS, E30GC64ESS

Under-Counter Installation Specifications

- Side filler panels are necessary to isolate oven from adjoining cabinets.
- Install oven base over two runners and flush with toe plate.
- Allow 5" clearance from oven base to floor, for oven door to open.

NOTE: Refer to Product Installation Guide for detailed instructions on the web at electroluxusa.com.

Wave-Touch™ Control Panel Technology

A simple touch, anywhere on the panel, lights oven controls and provides access to all oven functions. This allows easy programming while keeping activated functions lighted for easy monitoring.

Intelligent Electronic Oven Control

Our fully featured electronic oven control ensures accurate cooking time and temperature. When you are looking for quality baking and broiling results every time, this oven delivers.

Smooth-Glide™ Oven Racks

Imagine oven racks that glide with unparalleled ease and extend fully for effortless access to your meal. We designed a centered easy-grip handle and a patented ball-bearing rack system for smooth-gliding performance with the touch of a finger.

Cool-Touch™ Oven Door

Introducing the coolest oven door in the industry, literally. The cool-to-the-touch all glass door design has an expansive glass front panel that allows you to clearly see what you are cooking. And because it is all glass, when it comes time for cleanup, spills and splatters wipe up with ease.

Third Element European Convection System

By adding a third cooking element and a convection fan, heat is distributed faster and more evenly throughout the oven. Cooking every meal to perfection has never been easier.

Hidden Bake Element

For safe and efficient cleanup, the lower heating element is protected by a porcelain plate cover.

Designer Halogen Lighting

Carefully positioned halogen lights illuminate the oven interior, providing you with a more accurate view of the food you are preparing so you can have meals that turn out just the way you planned.

30" SINGLE WALL OVEN

Configuration	Single
---------------	--------

OVEN FEATURES

Oven Cavity	4.2 Cu. Ft.
Cobalt Blue Interior	Yes
3rd Element European Convection System	Yes
Hidden Bake Element	Yes
Preheat Control	Yes
Keep Warm	Yes
Self-Cleaning with Auto-Safety Latch™	Yes
Self-Cleaning Cycle	Yes
Self-Cleaning Rack Removal Alert	Yes
Dual Radiant™ Baking System	Yes
Eight-Pass Bake & Broil	Yes
Smooth-Glide™ Racks	3
Standard Racks	1
Halogen Lighting	Yes
Porcelain Broiler Pan with Grill	Yes

CONTROL PANEL FEATURES

Electronic Oven Control	Yes
Electronic Clock/Timer	Yes
Electronic Temperature Display	Yes
Glass Wave-Touch™ Control with Blue LED Display	Yes
Automatic Oven – Delay, Cook & Off	Yes
Child-Resistant Lockout	Yes
Automatic Oven Shutoff – 12 Hour	Yes
Programmable for °F or °C	Yes
Integrated Halogen Oven Light – Touch Pad	Yes

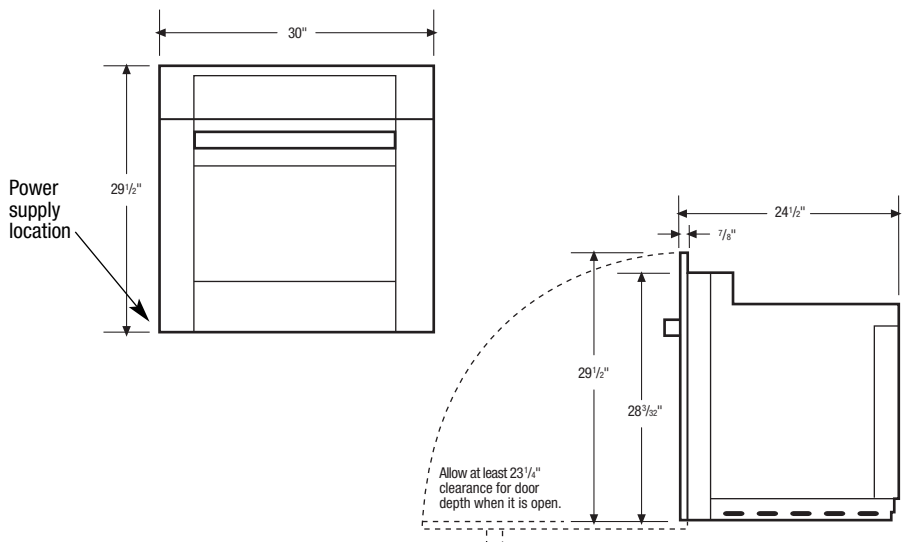
DOOR STYLE

Cool-Touch™ Door	Yes
Removable Door	Yes
Stainless Door Handle/Towel Bar	Yes

SPECIFICATIONS

Cutout Dimensions –	
Height	28-1/4" min. 28-7/8" max.
Width	28-1/2" min. 29" max.
Depth	24"
Power Supply Location	Left Bottom Rear
Under-Counter Installation	Yes
Amps @ 240/208 Volts	16.6/14.4 Amps
Connected Load (kW Rating) - 240/208 Volts	4.0/3.0 kW
Bake Element - 240/208 Volts	3400 W
Broil Element - 240/208 Volts	4000 W
Armored Electrical Cable	Included
Product Weight	168 Lbs.
Shipping Weight	191 Lbs.
UPC (0-57112-)	08893-8

NOTE: Always consult local and/or national electric codes. Refer to Product Installation Guide for detailed installation instructions on the web at electroluxusa.com.



USA • 250 Bobby Jones Expressway • Augusta, GA 30907
1-877-4electrolux (1-877-435-3287) • electroluxusa.com

CANADA • 5855 Terry Fox Way • Mississauga, ON L5V 3E4
1-800-668-4606 • electroluxca.com