

Electric Range

Installation manual

Anti-tip device

WARNING

To reduce the risk of tipping the appliance, the appliance must be secured by properly installed anti-tip devices packed with the appliance.



- A. A child or adult can tip the range and be killed.
- B. Install the anti-tip device to the structure and/or the range at rear right (or rear left) of the range bottom.
- C. Engage the range to the anti-tip device by leveling leg at rear right (or rear left) of the range bottom.
- D. Re-engage the anti-tip device if the range is moved.
- E. See installation instructions for details.
- F. Failure to do so can result in death or serious burns to children or adults.

About this manual

READ THESE INSTRUCTIONS COMPLETELY AND CAREFULLY.

Important note to the installer

- Read all instructions contained in these installation instructions before installing the range.
- Remove all packing materials from the oven compartments before connecting the electrical supply to the range.
- Observe all governing codes and ordinances.
- Save for the local electrical inspector's use.
- Be sure to leave these instructions with the consumer.

Important note to the consumer

Keep these instructions for the local electrical inspector's use.

- As when using any appliance generating heat, there are certain safety precautions you should follow.
- Be sure your range is installed and grounded properly by a qualified installer or service technician.
- For the range to ventilate properly, make sure the range's vents are not blocked or covered, and that there is enough clearance at the top, back, sides, and underneath the range. The vents allow the necessary exhaust for the range to operate properly with correct combustion and get proper cooking results.
- Make sure the wall coverings around the range can withstand the heat generated by the range.
- To eliminate the need to reach over the surface elements, avoid having cabinet storage space above the cooktop.
- The range should not be placed on an elevated base.

For your safety

WARNING

- If the information in this manual is not followed exactly, a fire or electrical shock may result causing property damage, personal injury, or death.
- Before beginning the installation, switch the power off at the service panel and lock the service disconnecting switch to prevent power from being switched on accidentally. When the service disconnecting switch cannot be locked, securely fasten a prominent warning device, such as a tag, to the service panel.
- This appliance must be properly grounded.

SAMSUNG

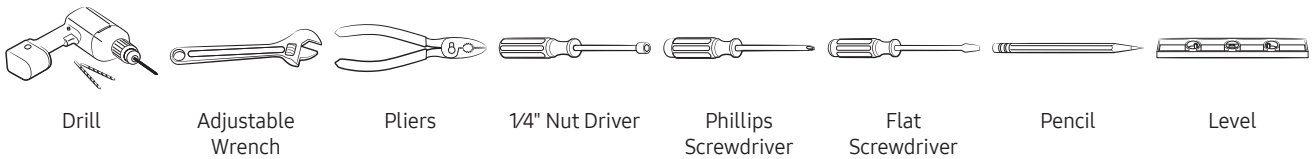


DG68-01359B-01

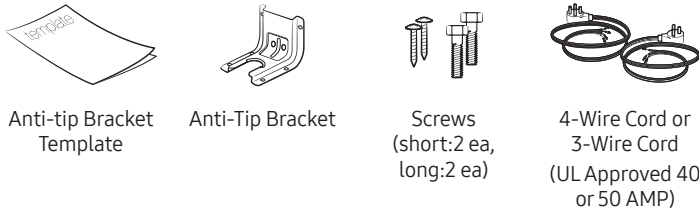
Preparing to install the range

Prepare tools & Parts

The tools you will need



What's included with your range



Additional materials you may need



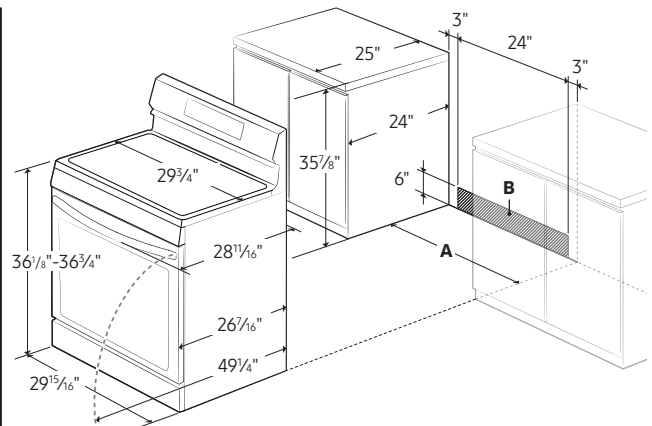
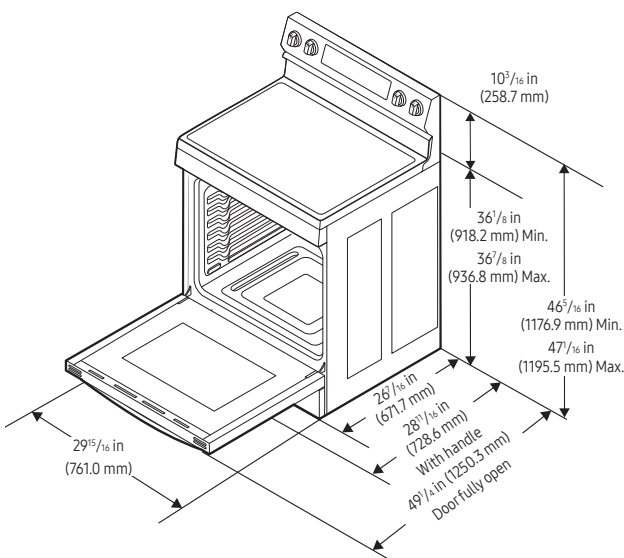
Checking the installation site

Clearances and dimensions

To install the range, refer to the following figure.

⚠ CAUTION

This range has been designed to comply with the maximum allowable wood cabinet temperatures of 194 °F. Make sure the wall covering, countertops, and cabinets around the range can withstand the heat (up to 194 °F) generated by the range. If not, discoloration, delamination, or melting may occur.



- A. Cabinet opening min 30" (76.2 cm)
- B. Acceptable electrical outlet area

IMPORTANT: If your cabinets are over 36 3/4" high, you must install this range on a hard, heat resistant support that raises the surface of the range so that it is about even with the countertop.

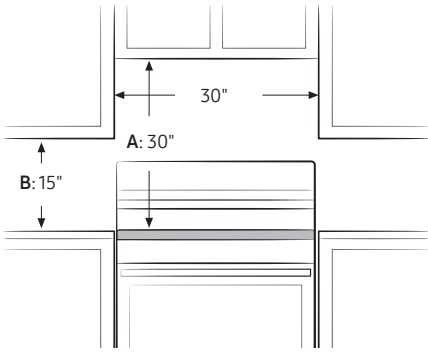
⚠ CAUTION

You must use the rear filler kit to install the range in a freestanding cutout cabinet. For more information, see "Optional rear filler kit" as shown below.

📖 NOTE

If you install the product in a kitchen island, you must maintain minimum 2 1/2" from cutout to back edge of the countertop and minimum 3" from cutout to side edges of the countertop.

Minimum dimensions



IMPORTANT: To eliminate the risk of burns or fire caused by reaching over heated surface units, avoid having cabinet storage space located above the surface units. If you have cabinet storage space over the heating elements, you can reduce the risk by installing a range hood that projects horizontally a minimum of 5 inches beyond the bottom of the cabinets.

- A.** A minimum of 30" is required between the top of the cooking surface and the bottom of an unprotected wood or metal cabinet; a minimum of 24" is required if the bottom of the wood or metal cabinet is protected by not less than $\frac{1}{4}$ " of flame retardant millboard covered with not less than no.28 MSG of sheet steel, 0.015" of stainless steel, 0.024" of aluminum, or 0.020" of copper.
- B.** A minimum of 15" is required between the countertop and the adjacent cabinet bottom.

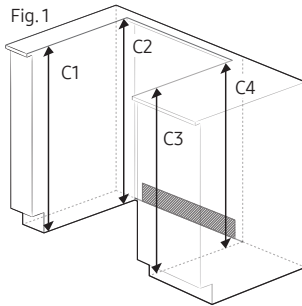
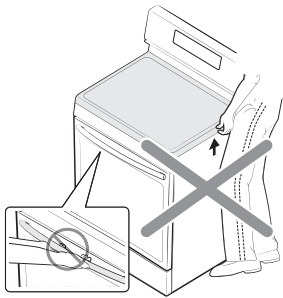
CAUTION

Vapors may come out from the vent. It is normal, but be careful as it may be hot. Depending on the material of your wall, hot vapors may leave stains on it.

To avoid breakage

CAUTION

Do NOT lift or handle the unit by the cooktop glass or door handle.



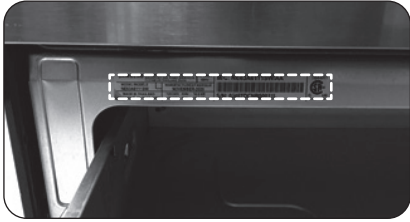
1. The counter top around the cut-out should be flat and leveled.
2. Before installing the unit, measure the heights of the two cabinet sides (**C1-C4**), front and back (See **Fig. 1**) from the floor to the top of the counter.
3. Level the range using the four leveling legs so that the height from the floor to the underside of the cooktop glass frame is greater than the tallest cabinet measurement by at least $\frac{1}{16}$ ".
4. Slide the unit into the cabinet (**DO NOT PUSH THE UNIT HARD**). Make sure the center of the unit aligns with the center of the cabinet cut-out.

Connecting the power

Step 1. Meeting electrical connection requirements

CAUTION

For personal safety, do not use an extension cord with this appliance. Remove the house fuse or open the circuit breaker before beginning installation.



This appliance must be supplied with the proper voltage and frequency, and be connected to an individual, properly grounded branch circuit, protected by a circuit breaker or fuse having amperage as specified on the rating plate. The rating plate is located above the drawer on the oven frame.

We recommend you have the electrical wiring and hookup of your range connected by a qualified electrician. After installation, have the electrician show you where your main range disconnect is located.

Check with your local utilities for electrical codes which apply in your area. Failure to wire your oven according to governing codes could result in a hazardous condition. If there are no local codes, your range must be wired and fused to meet the requirements of the National Electrical Code, ANSI/NFPA No. 70–Latest Edition. You can get a copy by writing:

National Fire Protection Association
Batterymarch Park
Quincy, MA 02269

Effective January 1, 1996, the National Electrical Code requires that new construction (not existing) utilize a 4-conductor connection to an electric range.

When installing an electric range in new construction, follow Steps 2 and 3 for a 4-wire connection.

You must use a 3-wire or 4-wire, single-phase A.C. 208Y/120 Volt or 240/120 Volt, 60 hertz electrical system.

If the electrical service provided does not meet the above specifications, have a licensed electrician install an approved outlet.

Use only a 3-conductor or a 4-conductor UL-listed range cord. These cords may be provided with ring terminals on the wire and a strain relief device.

A range cord rated at 40 amps with 125/250 minimum volt range is required. A 50 amp range cord is not recommended but if used, it should be marked for use with nominal 1 $\frac{3}{8}$ " diameter connection openings. Care should be taken to center the cable and strain relief within the knockout hole to keep the edge from damaging the cable.

- Because range terminals are not accessible after the range is in position, a flexible service conduit or cord must be used.

NOTE

If the power connection is plugged in improperly, the following message appears on the display.

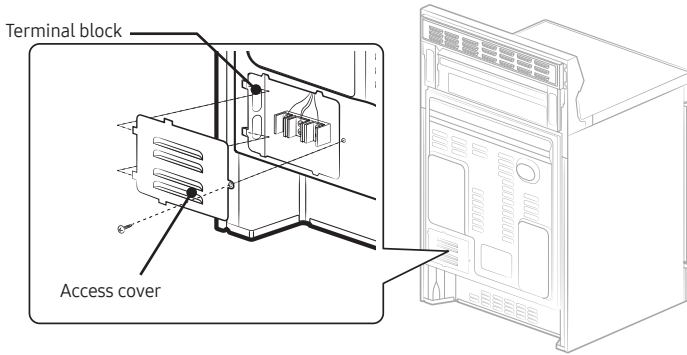
- LCD, PMOLED : Wire installation fail
- LED : bAd LinE

Reconnect the power connection properly, and the message disappears.



ALL NEW BRANCH-CIRCUIT CONSTRUCTIONS, MOBILE HOMES, RECREATIONAL VEHICLES, AND INSTALLATIONS WHERE LOCAL CODES DO NOT ALLOW GROUNDING THROUGH NEUTRAL, REQUIRE A 4-CONDUCTOR UL-LISTED RANGE CORD.

Step 2. Accessing the power cord connection



Loosen and then remove the rear access cover screw with a screwdriver. Remove the rear access cover by pulling it right and then out. The terminal block will then be accessible.

Specified rating of power-supply-cord kit and circuit protection

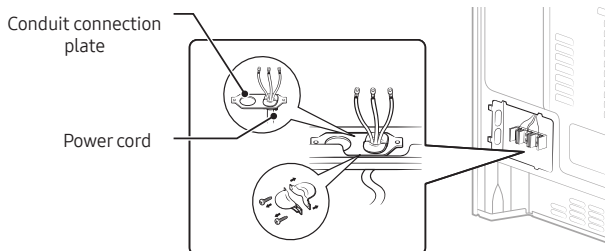
Range rating, watts		Specified rating of power-supply-cord kit and circuit protection, Amps	Diameter (inches) of range connection opening	
120/240 volts 3-wire	120/208 volts 3-wire		Power cord	Conduit
8750-16500	7801-12500	40 or 50 A	1 $\frac{3}{8}$ "	1 $\frac{1}{8}$ "

This appliance must be supplied with the proper voltage at the proper frequency and must be connected to a dedicated, properly grounded branch circuit protected by a 40 amp or larger circuit breaker.

NOTE

- For power cord installations, go to Step 3 on page 4.
- For conduit installations, go to Step 4 on page 5.

Step 3. Installing the power cord



For power cord installations, hook the strain relief over the power cord hole (1 $\frac{3}{8}$ ") located below the rear of the drawer body. Insert the power cord through the strain relief and tighten the device.

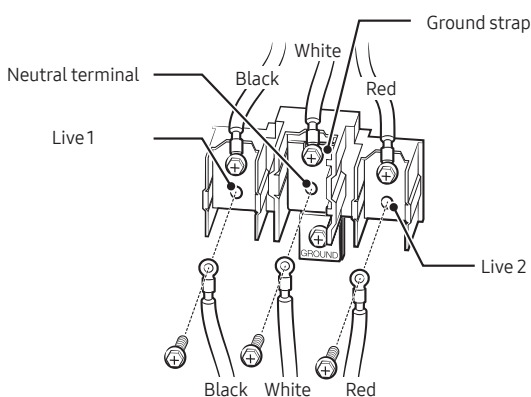
- You must install the power cord with a strain relief.**
- Attach the strain relief to the 1 $\frac{3}{8}$ " opening in the conduit connection plate.

CAUTION

You must check voltage after connecting power cord.

Live 1 - Neutral	120 V
Live 2 - Neutral	120 V
Live 1 - Live 2	208 V / 240 V

Installing a 3-wire power cord

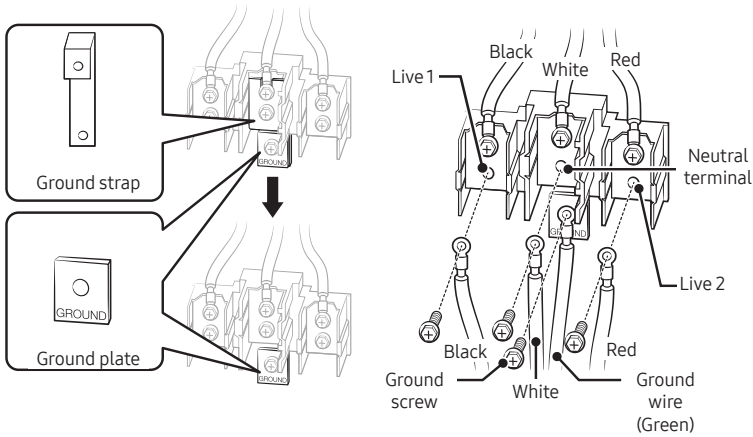


WARNING

The neutral or ground wire of the power cord must be connected to the neutral terminal located in the center of the terminal block. The power leads must be connected to the lower left and the lower right terminals of the terminal block.

- Remove the 3 lower terminal screws from the terminal block.
- Insert the 3 terminal screws through each power cord terminal ring and into the lower terminals of the terminal block. Be certain that the center wire (white/neutral) is connected to the center lower position of the terminal block.
- Tighten screws securely to the terminal block. **DO NOT remove the ground strap connection.**
- Go to Step 5 on page 6 to continue with the installation.

Installing a 4-wire power cord

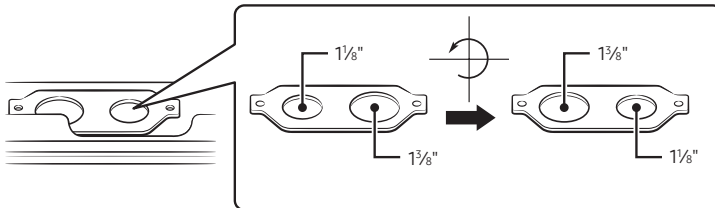


⚠ WARNING

The neutral wire of the supply circuit must be connected to the neutral terminal located in the lower center of the terminal block. The power leads must be connected to the lower left and the lower right terminals of the terminal block. The 4th grounding lead must be connected to the frame of the range with the ground plate and the ground screw.

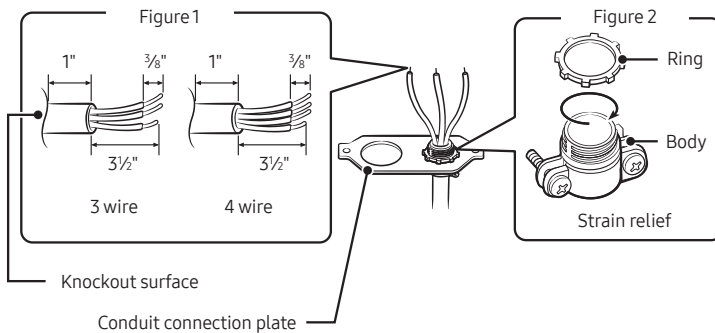
1. Remove the 3 lower terminal screws from the terminal block. Remove the ground screw and ground plate and retain them.
2. **Cut and discard the ground strap. Do not discard any screws.**
3. Insert the ground screw into the power cord ground wire terminal ring, through the ground plate, and into the frame of the range.
4. Insert the 3 terminal screws (removed earlier) through each power cord terminal ring and into the lower terminals of the terminal block. Be certain that the center wire (white/neutral) is connected to the center lower position of the terminal block. Tighten screws securely to the terminal block.
5. Go to **Step 5** on page 6 to continue with the installation.

Step 4. Installing the conduit



Remove the conduit connection plate and rotate it as shown below.

The conduit hole (1 1/8") must be used.



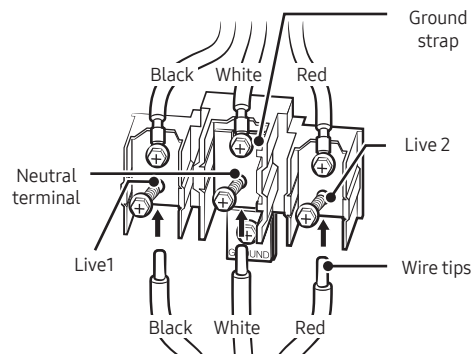
1. Prepare the conduit cord as shown in Figure 1.
2. Install the conduit cord as shown in Figure 2. For conduit installations, insert the strain relief (not included) into the conduit hole (1 1/8"). Then thread the conduit cord through the body of the strain relief and fasten the ring. Reinstall the bracket.

⚠ CAUTION

You must check voltage after connecting power cord.

Live 1 - Neutral	120 V
Live 2 - Neutral	120 V
Live 1 - Live 2	208 V / 240 V

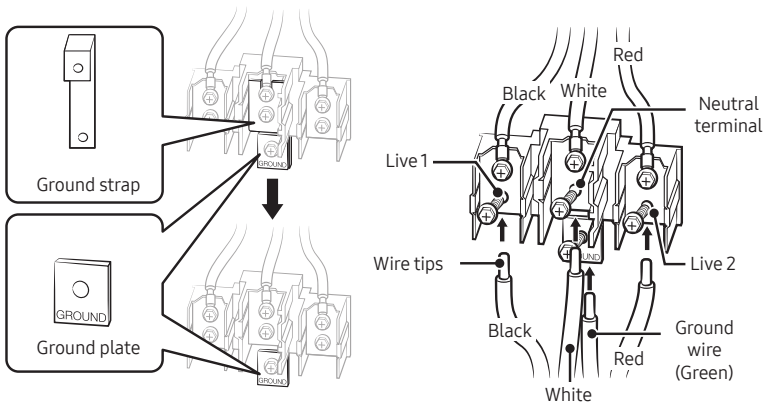
Installing a 3-wire conduit



- Aluminum building wire may be used but it must be rated for the correct amperage and voltage. Connect the wires as described below.
- The wire you use, the location and enclosure of splices, etc., must conform to good wiring practices and local codes.

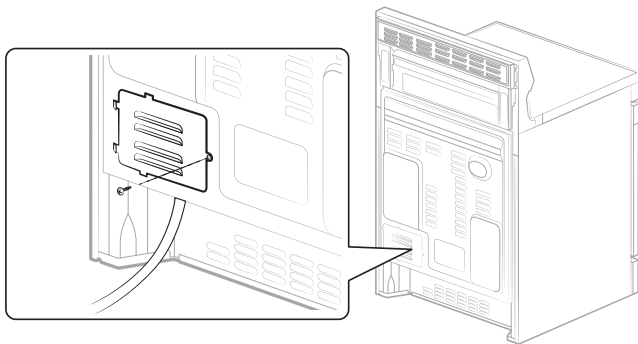
1. Loosen the 3 lower terminal screws from the terminal block.
2. Insert the center bare wire (white/neutral) tip through the bottom center terminal block opening. On certain models, the wire will need to be inserted through the ground strap opening and then into the bottom center block opening.
3. Insert the two side bare wire tips into the lower left and the lower right terminal block openings.
4. Tighten the screws until the wire is firmly secured (35 to 50 inch-lbs.). Do not over-tighten the screws since it could damage the wires.
5. Go to **Step 5** on page 6 to continue with the installation.

Installing a 4-wire conduit



- Aluminum building wire may be used but it must be rated for the correct amperage and voltage to make the connection. Connect the wires as described below.
 - The wire you use, the location and enclosure of splices, etc., must conform to good wiring practices and local codes.
1. Loosen the 3 lower terminal screws from the terminal block. Remove the ground screw and ground plate and retain them.
 2. **Cut and discard the ground strap. Do not discard any screws.**
 3. Insert the ground bare wire tip between the range frame and the ground plate (removed earlier) and secure it in place with the ground screw (removed earlier).
 4. Insert the bare wire (white/neutral) tip through the bottom center of the terminal block opening.
 5. Insert the two side bare wire tips into the lower left and the lower right terminal block openings.
 6. Tighten the screws until the wire is firmly secured (35 to 50 inch-lbs.). Do not over-tighten the screws since it could damage the wires.
 7. Go to **Step 5** on page 6 to continue with the installation.

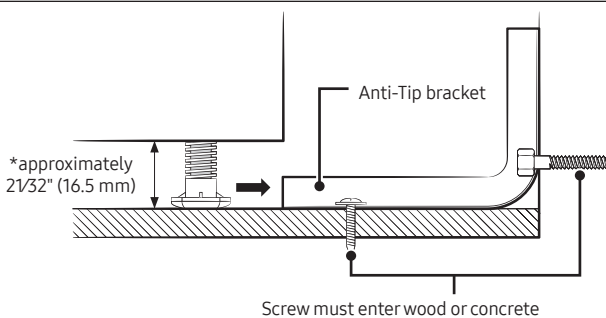
Step 5. Replacing the access cover



To replace the rear access cover on the range back. Insert the two tabs on the left side of the cover into the pockets located to the left of the opening, and then insert and tighten the rear access cover screw.

Installing the range

Installing the anti-tip device



⚠ WARNING

To reduce the risk of tipping, you must secure the appliance by properly installing the Anti-Tip device packed with the appliance.

- Refer to the installation instructions supplied with the bracket.
- If the anti-tip device is not installed properly, an adult or child stepping on or sitting on the range door could tip the range and suffer serious injuries caused by spilled hot liquids or by the range itself.

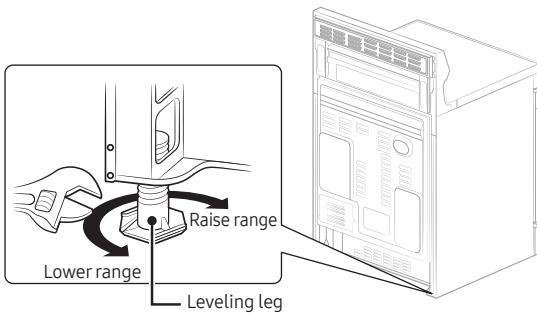
📖 NOTE

To install the Anti-Tip bracket, raise the leveling leg. A minimum clearance of $2\frac{1}{32}$ " (16.5 mm) is required between the range bottom and the kitchen floor.

1. Install the bracket using the template

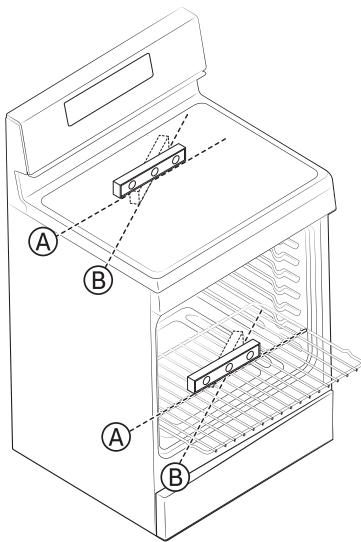
The Anti-Tip bracket is packaged with a template. The instructions include information necessary to complete the installation. Read and follow the instructions on the sheet (template) for range installation.

2. Level the range



Level the range by adjusting the leveling legs with a wrench.

3. Check your adjustments

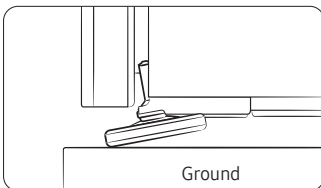


Use a level to check your adjustments. Place the level diagonally on the oven rack or surface cooktop, and confirm the range is level in the two directions shown below.

A. Check direction 1.

B. Check direction 2.

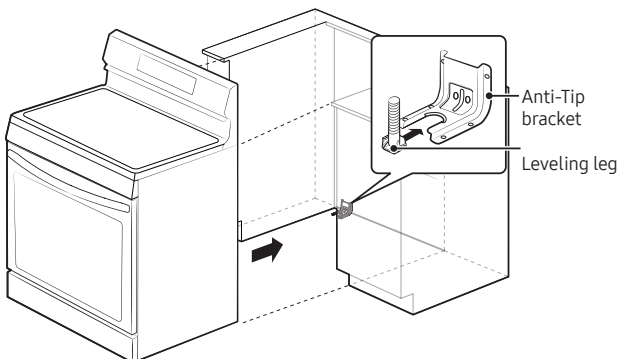
If the level indicates that the range is not level, adjust the leveling legs with a wrench.



⚠ CAUTION

For your safety, do not attempt to modify or straighten front legs. Front leveling legs on the range are designed to be slanted to prevent accidental tipping.

Finalizing the installation



- Move range close enough to the opening to plug into the receptacle.
- Slide the range into position ensuring that the rear left (or rear right) leg slides under the Anti-Tip bracket.
- Carefully tip the range forward to insure that the Anti-Tip bracket engages the Anti-Tip bracket and prevents tip-over.
- Turn on the electrical power. Check the range for proper operation as described in the user manual.

Cuisinière électrique

Manuel d'installation

Dispositif anti-basculement

AVERTISSEMENT

Pour réduire le risque de basculement de l'appareil, ce dernier doit être sécurisé à l'aide des dispositifs anti-basculement correctement installés, fournis avec l'appareil.



- A. Dans le cas contraire, des adultes ou des enfants risqueraient de faire basculer la cuisinière et d'être tués.
- B. Installez le dispositif anti-basculement sur la structure et/ou sur la cuisinière à l'arrière droite (ou arrière gauche) du dessous de l'appareil.
- C. Emboîtez la cuisinière sur le dispositif anti-basculement à l'aide du pied de mise à niveau situé à l'arrière droite (ou arrière gauche) du dessous de l'appareil.
- D. Emboîtez à nouveau le dispositif anti-basculement si la cuisinière a été déplacée.
- E. Reportez-vous aux consignes d'installation pour plus d'informations.
- F. Le non-respect de cette consigne peut entraîner des brûlures graves ou des blessures mortelles chez l'enfant et l'adulte.

A propos de ce manuel

LISEZ ENTièrement ET ATTENTIVEMENT CES INSTRUCTIONS.

Remarque importante destinée à l'installateur

- Lisez l'intégralité des consignes d'installation avant d'installer la cuisinière.
- Retirez tous les éléments d'emballage des compartiments du four avant de raccorder la cuisinière à l'alimentation électrique.
- Respectez tous les codes et règlements en vigueur.
- Conservez le document afin que la personne chargée du contrôle électrique puisse s'y reporter.
- Assurez-vous de laisser ces instructions à l'utilisateur.

Remarque importante destinée à l'utilisateur

Conservez précieusement ces instructions afin que la personne chargée du contrôle électrique puisse s'y reporter.

- Comme pour tout appareil générant de la chaleur, certaines consignes de sécurité sont à respecter.
- Assurez-vous que votre appareil est correctement installé et mis à la terre par un installateur qualifié ou un technicien spécialisé.
- Pour que la cuisinière soit correctement ventilée, assurez-vous que ses orifices de ventilation ne sont pas obturés ou recouverts et qu'il y a suffisamment d'espace au-dessus, à l'arrière, sur les côtés et sous la cuisinière. Les orifices de ventilation permettent l'échappement nécessaire au bon fonctionnement de l'appareil, à une combustion correcte et à l'obtention des résultats de cuisson escomptés.
- Assurez-vous que les revêtements muraux situés à proximité de l'appareil peuvent résister à la chaleur générée par celui-ci.
- Pour éliminer le besoin de passer au-dessus des foyers de surface, évitez d'avoir un meuble de rangement situé au-dessus de la table de cuisson.
- La cuisinière ne doit pas être placée sur un socle surélevé.

Pour votre sécurité

AVERTISSEMENT

- Si vous ne respectez pas scrupuleusement les informations contenues dans ce manuel, vous risquez de provoquer un incendie ou un choc électrique et, par conséquent, des dégâts matériels, blessures ou accidents mortels.
- Avant de commencer l'installation, coupez l'alimentation au panneau de commande et verrouillez l'interrupteur d'isolement. Cette précaution évitera toute mise sous tension accidentelle de l'appareil. Si vous ne parvenez pas à verrouiller l'interrupteur d'isolement, fixez fermement au panneau de commande un dispositif d'avertissement bien visible, par exemple une affichette.
- Cet appareil doit être correctement mis à la terre.

SAMSUNG

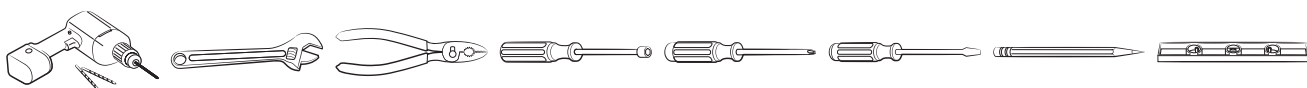


DG68-01359B-01

Préparation avant l'installation de la cuisinière

Préparation des outils et des pièces

Outils nécessaires



Perceuse

Clé à molette

Pince

Tournevis à douille de 1/4"

Tournevis cruciforme

Tournevis à tête plate

Crayon

Niveau

Accessoires fournis



Modèle de support anti-basculement



Support anti-basculement



Vis (courtes : x2, longues : x2)



Cordon 4 fils ou 3 fils (répertorié UL, de 40 ou 50 A)

Matériel supplémentaire dont vous pourriez avoir besoin



Réducteur de tension (pour le branchement des gaines uniquement)

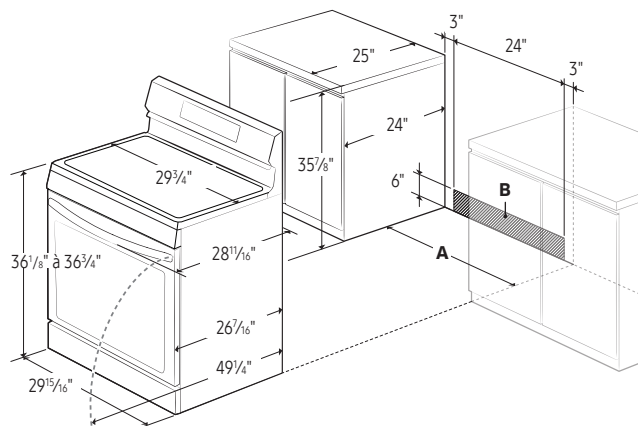
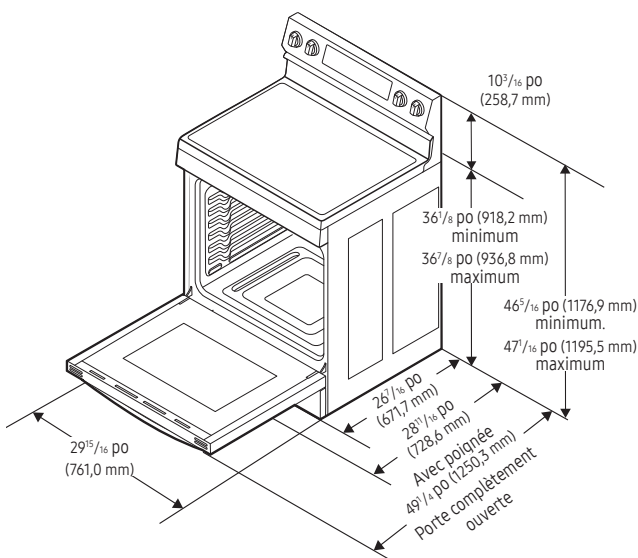
Vérification du site d'installation

Dégagements et dimensions

Pour procéder à l'installation de la cuisinière, reportez-vous au schéma suivant.

⚠ ATTENTION

Cette cuisinière a été conçue pour supporter une température maximale de 194 °F, température maximale autorisée pour tout meuble en bois. Assurez-vous que le revêtement mural, les plans de travail et les meubles adjacents peuvent résister à la chaleur (jusqu'à 194 °F) générée par la cuisinière. Dans le cas contraire, des éléments peuvent se décolorer, se décoller ou fondre.



A. Ouverture du meuble : minimum 30" (76,2 cm)

B. Emplacement autorisé pour la prise électrique

IMPORTANT : si vos meubles mesurent plus de 36 3/4" de hauteur, vous devez installer cette cuisinière sur un support solide et résistant à la chaleur, qui permet de relever la surface de la cuisinière de sorte qu'elle arrive à peu près au niveau du plan de travail.

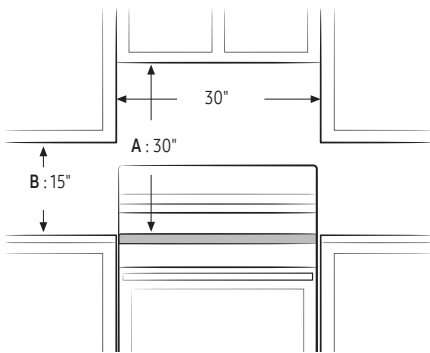
⚠ ATTENTION

Vous devez utiliser le kit de fileur arrière pour installer la cuisinière dans un meuble avec découpage pour encastrement. Pour en savoir plus, reportez-vous à la section « Kit de fileur arrière en option », comme indiqué ci-dessous.

📖 REMARQUE

Si vous installez l'appareil en îlot de cuisine, vous devez maintenir un espacement d'au moins 2 1/2" entre le découpage et l'arête arrière du plan de travail et d'au moins 3" entre le découpage et les arêtes latérales du plan de travail.

Dimensions minimales



IMPORTANT : pour éliminer tout risque de brûlure ou d'incendie lors de l'accès à l'espace situé au-dessus des éléments de cuisson chauds, évitez d'y aménager tout meuble de rangement. Si un meuble de rangement est situé au-dessus des éléments de cuisson, vous pouvez réduire le risque en installant une hotte d'aspiration assurant une protection horizontale d'au moins 5 pouces au-delà du dessous du meuble.

- A. Un dégagement d'au moins 30" est nécessaire entre le dessus de la surface de cuisson et le dessous d'un meuble en bois ou en métal non protégé, ou d'au moins 24" si le dessous du meuble en bois ou en métal est protégé par un carton à l'enrouleuse ignifugeant d'au moins 1/4" d'épaisseur recouvert au minimum d'une tôle d'acier MSG n°28, d'acier inoxydable de 0,015" d'épaisseur, d'aluminium de 0,024" d'épaisseur ou de cuivre de 0,020" d'épaisseur.
- B. Un dégagement d'au moins 15" est nécessaire entre le plan de travail et le dessous du meuble adjacent.

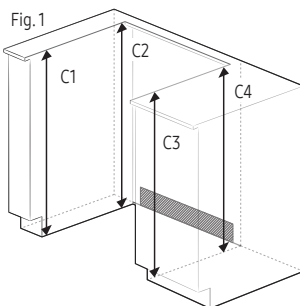
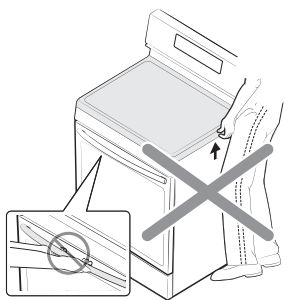
⚠ ATTENTION

De la vapeur peut s'échapper par les orifices de ventilation. Ceci est tout à fait normal, mais faites attention car elle peut être chaude. Selon le matériau de votre mur, la vapeur chaude peut laisser des taches dessus.

Pour éviter toute rupture

⚠ ATTENTION

Veillez à NE PAS soulever ou manipuler l'appareil par la vitre de la table de cuisson ou par la poignée de la porte.



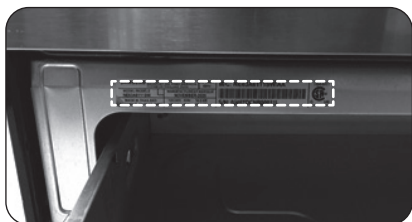
1. Le plan de travail autour du découpage doit être plat et de niveau.
2. Avant d'installer l'appareil, mesurez les hauteurs des deux côtés du meuble (C1 à C4), à l'avant et à l'arrière (voir Fig. 1) entre le sol et la face supérieure du plan de travail.
3. Mettez la cuisinière de niveau en utilisant les quatre pieds de mise à niveau de sorte que la hauteur entre le sol et la face inférieure du cadre de la vitre de la table de cuisson soit supérieure d'au moins 1/16" à la mesure du meuble le plus haut.
4. Faites glisser l'appareil dans le meuble (**POUSSEZ DOUCEMENT**). Assurez-vous que le centre de l'appareil soit aligné avec le centre des découpes du meuble.

Mise sous tension

Étape 1 : respect des exigences en matière de raccordements électriques

⚠ ATTENTION

Pour votre propre sécurité, n'utilisez pas de rallonge avec cet appareil. Retirez le fusible du domicile ou coupez le disjoncteur avant de démarrer l'installation.



Cet appareil doit être alimenté par une tension et à une fréquence adaptées. Il doit également être branché sur un circuit de dérivation individuel correctement mis à la terre et protégé par un disjoncteur ou un fusible dont l'ampérage est conforme à celui spécifié sur la plaque signalétique de l'appareil. La plaque signalétique est située au-dessus du tiroir sur le cadre du four.

Nous vous recommandons de confier le câblage et le branchement électriques de votre cuisinière à un électricien qualifié. Une fois l'installation effectuée, demandez à l'électricien de vous montrer l'emplacement de débranchement principal de votre cuisinière.

Vérifiez auprès de votre service public les codes électriques s'appliquant à votre zone. Le non-respect des codes obligatoires pour le branchement de votre four peut s'avérer dangereux. S'il n'existe pas de codes locaux, votre cuisinière doit être branchée conformément aux exigences du Code national électrique, ANSI/NFPA N° 70 (dernière édition). Vous pouvez en obtenir une copie en adressant un courrier à :

National Fire Protection Association
Batterymarch Park
Quincy, MA 02269

Entré en vigueur le 1er janvier 1996, le Code électrique national exige que toute construction neuve (non existante) doive être équipée d'un branchement à 4 conducteurs pour les cuisinières électriques.

Lorsque vous installez une cuisinière électrique dans une construction neuve, suivez les étapes 2 et 3 relatives à un raccordement à 4 fils.

Vous devez utiliser un système électrique à 3 fils ou 4 fils monophasé CA de 208Y/120 volts ou 240/120 volts, 60 hertz.

Si votre installation électrique n'est pas conforme aux spécifications ci-dessus, contactez un électricien agréé afin d'installer une prise homologuée.

Utilisez uniquement un cordon d'alimentation à 3 ou 4 fils figurant dans la liste UL. Ces cordons peuvent être fournis avec des bornes rondes sur le fil et un réducteur de tension.

Un cordon d'alimentation nominale de 40 A et de 125/250 V minimum est indispensable. Il est déconseillé d'utiliser un cordon d'alimentation de 50 A mais, si toutefois vous en utilisez un, celui-ci doit être étiqueté pour être utilisé avec des ouvertures de connexion de diamètre nominal $1\frac{3}{8}$ ". Veillez à bien centrer le câble et le réducteur de tension dans le trou d'éjection afin d'empêcher que le bord n'endommage le câble.

- Étant donné que les prises de la cuisinière sont inaccessibles une fois la cuisinière installée, il est nécessaire d'utiliser une gaine ou un cordon de service flexible.

📖 REMARQUE

Si les fils d'alimentation sont mal branchés, le message suivant apparaît à l'écran.

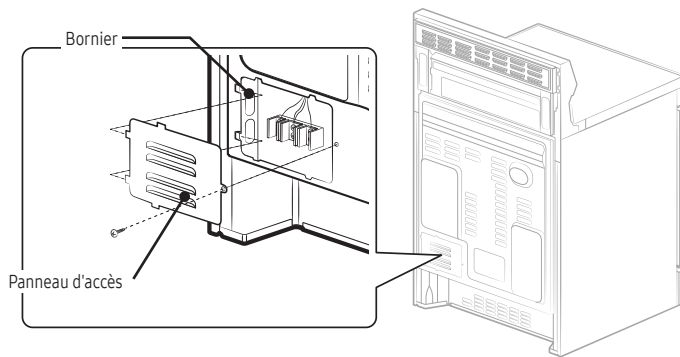
- LCD, PMOLED : Wire installation fail (mauvais branchement des câbles)
- LED : bAd LinE (mauvais branchement)

Rebranchez correctement les fils d'alimentation ; le message disparaît alors.



TOUTES LES CONSTRUCTIONS DONT LES CIRCUITS DÉRIVÉS SONT NEUFS, LES MOBIL-HOMES, LES VÉHICULES ET LES INSTALLATIONS DE LOISIRS DONT LES CODES LOCAUX INTERDISENT LA MISE À LA TERRE PAR UN CONDUCTEUR NEUTRE, NÉCESSITENT L'UTILISATION D'UN CORDON D'ALIMENTATION 4 FILS SPÉCIAL CUISINIÈRE, RÉPERTORIÉ UL.

Étape 2 : accès au branchement du cordon d'alimentation



Desserrez puis retirez la vis du panneau d'accès situé à l'arrière à l'aide d'un tournevis. Retirez le panneau d'accès situé à l'arrière en le tirant vers la droite et vers l'arrière pour le faire sortir. Vous pourrez alors accéder au bornier.

Valeurs nominales spécifiées du kit de cordon d'alimentation et de la protection de circuit

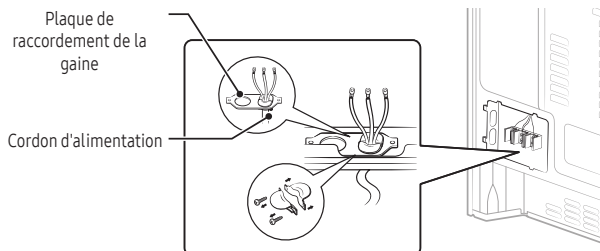
Valeurs nominales de la cuisinière (watts)		Valeurs nominales spécifiées du kit de cordon d'alimentation et de la protection de circuit (ampères)	Diamètre (pouces) de l'ouverture de connexion de la cuisinière	
120/240 volts, 3 fils	120/208 volts, 3 fils		Cordon d'alimentation	Gaine
8 750 à 16 500	7 801 à 12 500	40 ou 50 A	1 ³ / ₈ "	1 ¹ / ₈ "

Cet appareil doit être alimenté par une tension et à une fréquence adaptées. Il doit également être branché sur un circuit de dérivation dédié correctement mis à la terre et protégé par un disjoncteur d'au moins 40 A.

REMARQUE

- Pour l'installation du cordon d'alimentation, reportez-vous à l'étape 3 en page 4.
- Pour l'installation de la gaine, reportez-vous à l'étape 4 en page 5.

Étape 3 : installation du cordon d'alimentation



Pour l'installation du cordon d'alimentation, accrochez le réducteur de tension sur l'orifice du cordon d'alimentation (1³/₈") situé sous la partie arrière du tiroir. Insérez le cordon d'alimentation dans le réducteur de tension et serrez ce dernier.

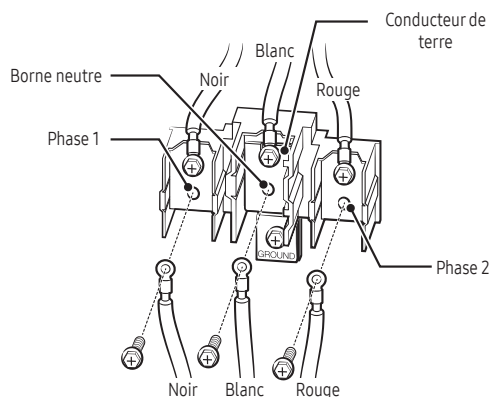
- Le cordon d'alimentation doit être installé au moyen d'un réducteur de tension.
- Fixez le réducteur de tension sur l'ouverture de 1³/₈" dans la plaque de raccordement de la gaine.

ATTENTION

Vous devez vérifier la tension après avoir branché le cordon d'alimentation.

Phase 1 - Neutre	120 V
Phase 2 - Neutre	120 V
Phase 1 - Phase 2	208 V / 240 V

Installation d'un cordon d'alimentation à 3 fils

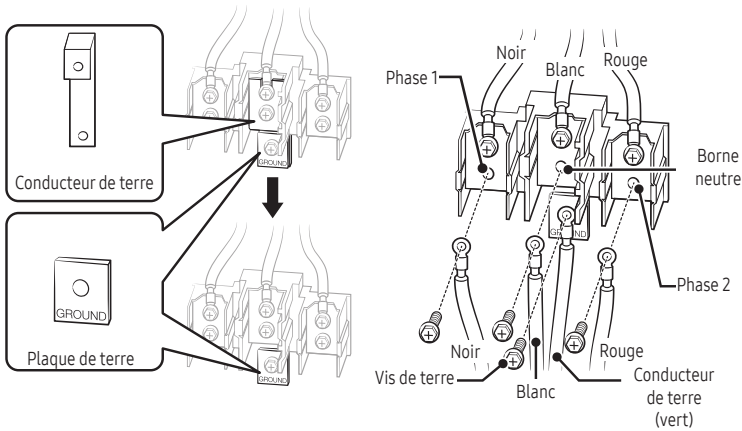


AVERTISSEMENT

La prise de terre ou la prise neutre du cordon d'alimentation doit être connectée à la borne neutre située au centre du bornier. Les câbles d'alimentation doivent être connectés aux bornes inférieures gauches et inférieures droites du bornier.

1. Retirez les 3 vis de la borne inférieure du bornier.
2. Insérez les 3 vis de la borne dans les bornes inférieures du bornier en passant par chacun des anneaux de la borne du cordon d'alimentation. Assurez-vous que le fil central (blanc/neutre) est relié à l'emplacement central inférieur du bornier.
3. Serrez fermement les vis sur le bornier. **NE retirez PAS la connexion du conducteur de terre.**
4. Reportez-vous à l'étape 5 en page 6 pour poursuivre l'installation.

Installation d'un cordon d'alimentation à 4 fils

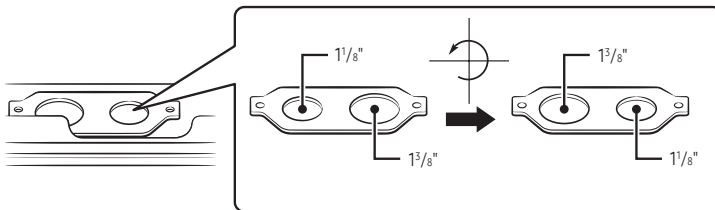


⚠ AVERTISSEMENT

La prise neutre du circuit d'alimentation doit être connectée à la borne neutre située au centre inférieur du bornier. Les câbles d'alimentation doivent être connectés aux bornes inférieures gauches et inférieures droites du bornier. Le 4ème câble de mise à la terre doit être connecté au bâti de la cuisinière au moyen de la plaque et de la vis de masse.

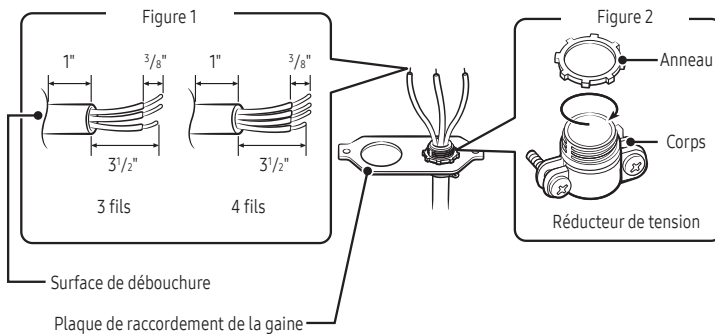
1. Retirez les 3 vis de la borne inférieure du bornier. Retirez la vis et la plaque de terre et conservez-les.
2. **Coupez et jetez le conducteur de terre. Ne jetez aucune vis.**
3. Insérez la vis de terre dans l'anneau de la borne du fil de mise à la terre du cordon d'alimentation, en passant par la plaque de masse puis dans le bâti de la cuisinière.
4. Insérez les 3 vis de la borne (retirées précédemment) dans les bornes inférieures du bornier en passant par chacun des anneaux de la borne du cordon d'alimentation. Assurez-vous que le fil central (blanc/neutre) est relié à l'emplacement central inférieur du bornier. Serrez fermement les vis sur le bornier.
5. Reportez-vous à l'étape 5 en page 6 pour poursuivre l'installation.

Étape 4 : installation de la gaine



Retirez la plaque de raccordement de la gaine et tournez-la comme indiqué ci-dessous.

Le trou de la gaine (1 1/8") doit être utilisé.



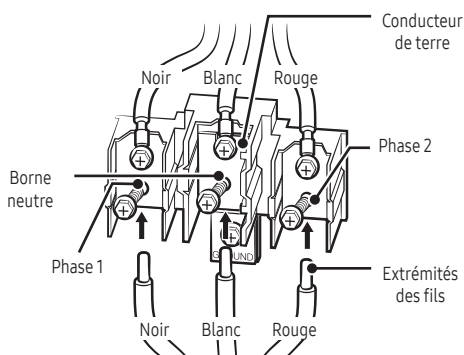
1. Préparez le cordon de la gaine comme le montre la figure 1.
2. Installez le cordon de la gaine comme le montre la figure 2. Pour l'installation de la gaine, insérez le réducteur de tension (non fourni) dans le trou de la gaine (1 1/8"). Faites ensuite passer le cordon de la gaine dans le réducteur de tension, puis serrez l'anneau de serrage. Réinstallez le support.

⚠ ATTENTION

Vous devez vérifier la tension après avoir branché le cordon d'alimentation.

Phase 1 - Neutre	120 V
Phase 2 - Neutre	120 V
Phase 1 - Phase 2	208 V / 240 V

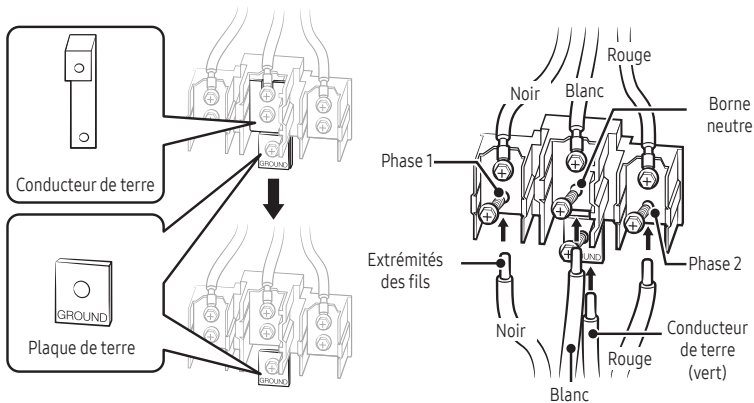
Installation d'une gaine à 3 fils



- Un fil de bâtiment en aluminium peut être utilisé mais il devra être doté de l'intensité et de la tension nominales correctes. Raccordez les fils comme décrit ci-dessous.
- Le fil utilisé, l'emplacement, les boîtiers d'épissures, etc. doivent être conformes aux bonnes pratiques de câblage et aux codes locaux.

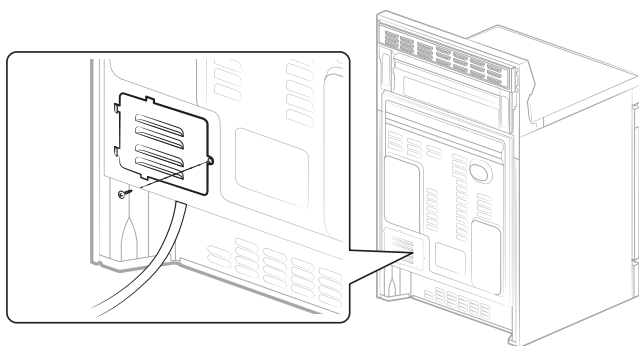
1. Desserrez les 3 vis des bornes inférieures du bornier.
2. Insérez l'extrémité du fil dénudé (blanc/neutre) central dans l'ouverture inférieure centrale du bornier. Sur certains modèles, le fil devra être inséré dans l'ouverture du conducteur de terre puis dans l'ouverture inférieure centrale du bornier.
3. Insérez les deux extrémités dénudées des fils de chaque côté dans les ouvertures inférieure gauche et inférieure droite du bornier.
4. Serrez les vis jusqu'à fixation complète du fil (35 à 50 pouces-livres). Ne serrez pas excessivement les vis sous peine d'endommager les fils.
5. Reportez-vous à l'étape 5 en page 6 pour poursuivre l'installation.

Installation d'une gaine à 4 fils



- Un fil de bâtiment en aluminium peut être utilisé mais il devra être doté de l'intensité et de la tension nominales correctes permettant d'effectuer le raccordement. Raccordez les fils comme décrit ci-dessous.
 - Le fil utilisé, l'emplacement, les boîtiers d'épaisseurs, etc. doivent être conformes aux bonnes pratiques de câblage et aux codes locaux.
1. Desserrez les 3 vis des bornes inférieures du bornier. Retirez la vis et la plaque de terre et conservez-les.
 2. **Coupez et jetez le conducteur de terre. Ne jetez aucune vis.**
 3. Insérez l'extrémité du fil de terre dénudée entre le bâti de la cuisinière et la plaque de terre (retirée précédemment) et fixez-la à l'aide de la vis de terre (retirée précédemment).
 4. Insérez l'extrémité dénudée du fil (blanc/neutre) dans l'ouverture inférieure centrale du bornier.
 5. Insérez les deux extrémités dénudées des fils de chaque côté dans les ouvertures inférieure gauche et inférieure droite du bornier.
 6. Serrez les vis jusqu'à fixation complète du fil (35 à 50 pouces-livres). Ne serrez pas excessivement les vis sous peine d'endommager les fils.
 7. Reportez-vous à l'étape 5 en page 6 pour poursuivre l'installation.

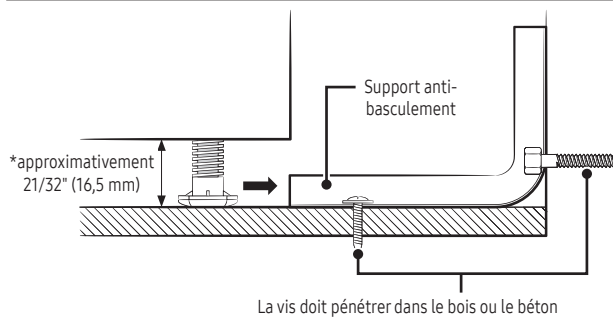
Étape 5 : remise en place du panneau d'accès



Pour remettre en place le panneau d'accès situé à l'arrière de la cuisinière, insérez les deux languettes du côté gauche du panneau dans les orifices situés à gauche de l'ouverture, puis insérez et serrez la vis du panneau d'accès situé à l'arrière.

Installation de la cuisinière

Installation du dispositif anti-basculement



⚠ AVERTISSEMENT

Pour réduire le risque de basculement, vous devez fixer l'appareil en installant convenablement le dispositif anti-basculement fourni avec l'appareil.

- Reportez-vous aux consignes d'installation fournies avec le support.
- Si le dispositif anti-basculement n'est pas installé correctement, un enfant ou un adulte montant ou s'asseyant sur la porte peut faire basculer la cuisinière et souffrir de graves blessures suite au renversement de liquides chauds ou de la cuisinière elle-même.

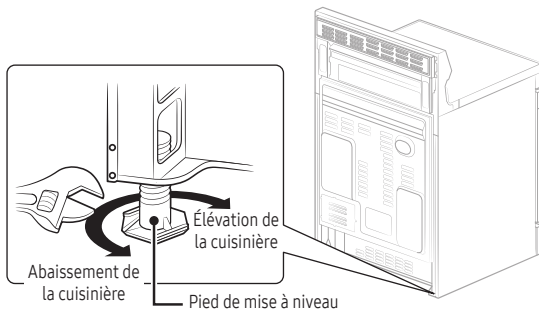
📖 REMARQUE

Soulevez le pied de mise à niveau pour installer le support antibasculement. Un dégagement d'au moins $21/32$ " (16,5 mm) est nécessaire entre le dessous de la cuisinière et le sol de la cuisine.

1. Installation du support à l'aide du modèle

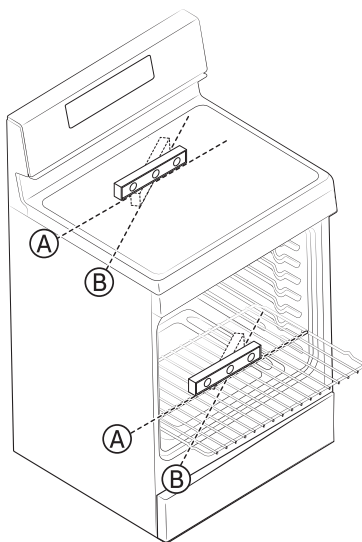
Le support anti-basculement s'accompagne d'un modèle. Les consignes comportent les informations nécessaires à l'exécution de l'installation. Lisez et suivez les consignes figurant sur la fiche (modèle) pour l'installation de la cuisinière.

2. Mise à niveau de la cuisinière



Mettez la cuisinière de niveau en ajustant les pieds de mise à niveau à l'aide d'une clé.

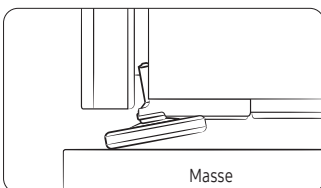
3. Vérification des réglages



Utilisez un niveau pour vérifier vos réglages. Placez le niveau en diagonale sur la grille du four ou la table de cuisson et vérifiez le niveau dans les deux directions indiquées ci-dessous.

- A. Vérifiez la direction 1.
- B. Vérifiez la direction 2.

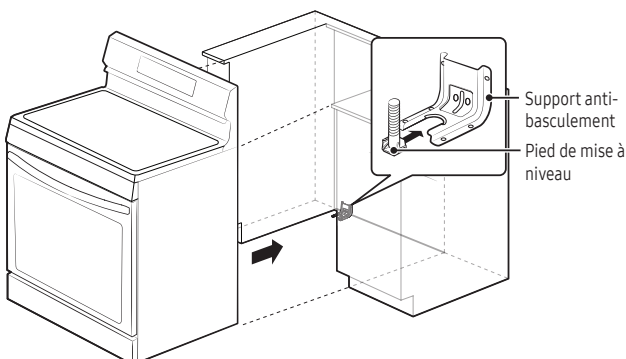
Si le niveau à bulle indique que la cuisinière n'est pas de niveau, ajustez les pieds de mise à niveau à l'aide d'une clé.



⚠ ATTENTION

Pour votre sécurité, n'essayez pas de modifier ou de redresser les pieds avant. Les pieds de mise à niveau avant de la cuisinière sont conçus pour être inclinés afin d'éviter un basculement accidentel.

Finalisation de l'installation



- Placez la cuisinière suffisamment près de l'ouverture pour permettre le branchement de la prise.
- Positionnez la cuisinière en vous assurant que le pied arrière gauche (ou arrière droit) se glisse sous le support anti-basculement.
- Inclinez avec précaution la cuisinière vers l'avant afin de vous assurer que le support anti-basculement s'emboîte correctement et que la cuisinière ne bascule pas.
- Mettez l'appareil sous tension. Vérifiez que la cuisinière fonctionne correctement comme indiqué dans le manuel d'utilisation.