

DV22K6800EW

SAMSUNG

Samsung 4.0 cu. ft. Capacity Electric Dryer with Sensor Dry



Features

- Smart Care
- Sensor Dry
- 12 Preset Drying Cycles
- 8 Options
- Stainless Steel Drum
- 5 Temperature Settings
- 5 Timed Dry Settings
- 4-Way Venting
- Internal Drum Light
- Reversible Door

Convenience

- Child Lock
- Filter Check Indicator

Rating

260 kWh/yr

Electrical Requirements

120 V / 240 V / 60 Hz
30 Amps

Available Color



White

12 Preset Drying Cycles:

Normal, Heavy Duty, Towels, Permanent Press, Active Wear, Delicates, Wool, Sanitize, Time Dry, Air Fluff, Quick Dry, Wrinkle Release

8 Options:

Mixed Load Bell, Wrinkle Prevent, My Cycle, Adjust Time, Sound, Child Lock, Smart Care, Drum Light

5 Temperature Settings:

High, Medium, Medium Low, Low, Extra Low

5 Dry Levels:

Very Dry, More Dry, Normal Dry, Less Dry, Damp Dry

Warranty

One (1) Year Parts and Labor

Product Dimensions & Weight (WxHxD)

Dimensions: 23⁵/₈" x 33¹/₂" x 25¹³/₁₆"

Weight: 88 lbs

Shipping Dimensions & Weight (WxHxD)

Dimensions: 26¹/₄" x 35" x 27¹/₂"

Weight: 93 lbs

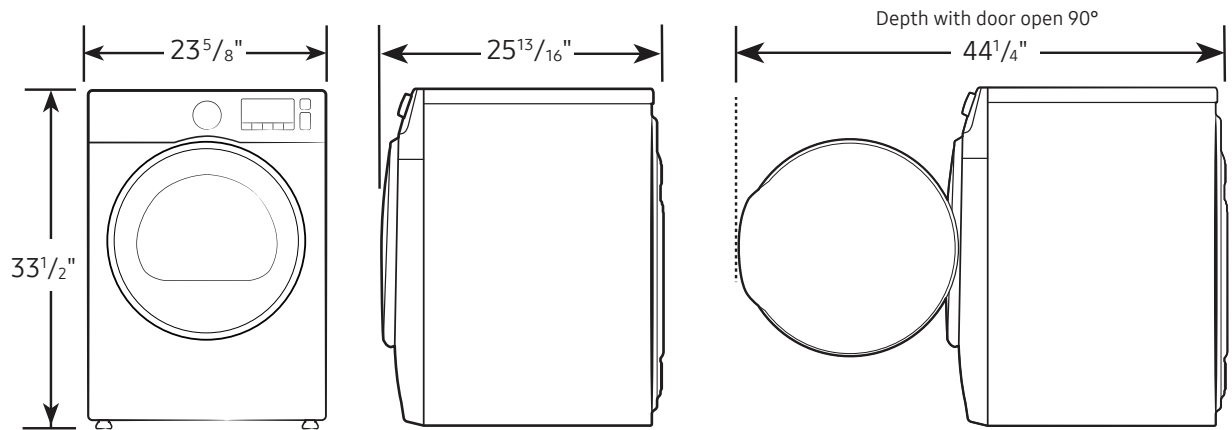
Electric Dryer	Model #	UPC Code
White	DV22K6800EW	887276124537
Heat Pump Dryer		
White	DV22N6800HW	887276292458
Matching Washer		
White	WW22K6800AW	887276126876
Optional Accessories		
Stacking Kit	SK-DH	887276151052
Side Vent Kit	DV-2A/XAA	887276146416

DV22K6800EW

SAMSUNG

Samsung 4.0 cu. ft. Capacity Electric Dryer with Sensor Dry

Dimensions

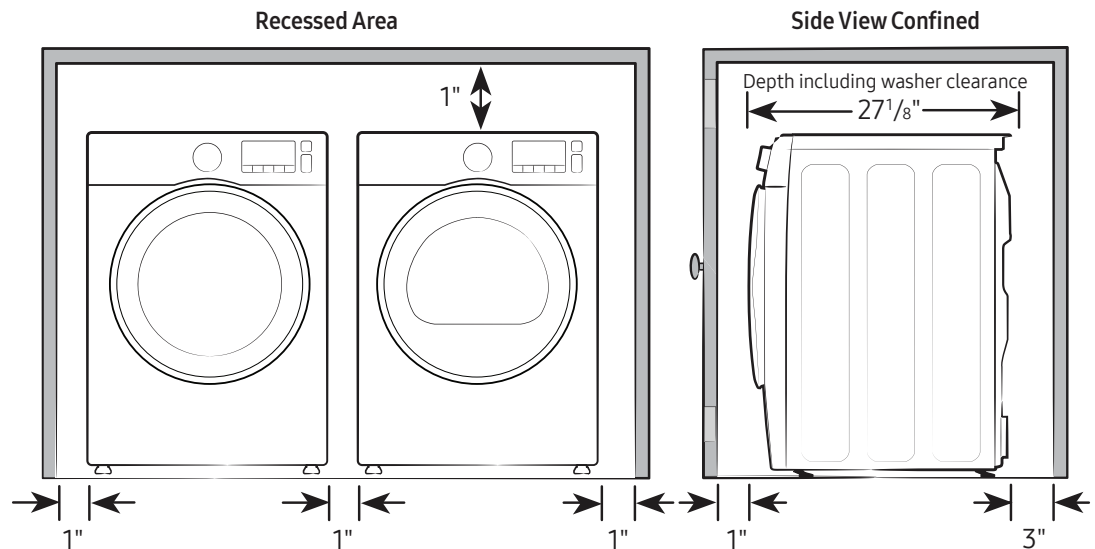


Installation Specifications – Side-by-Side or Stand-Alone

If the washer and dryer are installed together or the dryer alone, the closet front must have two unobstructed air openings for a combined minimum total area of 72-inch². Your washer alone does not require a specific air opening.

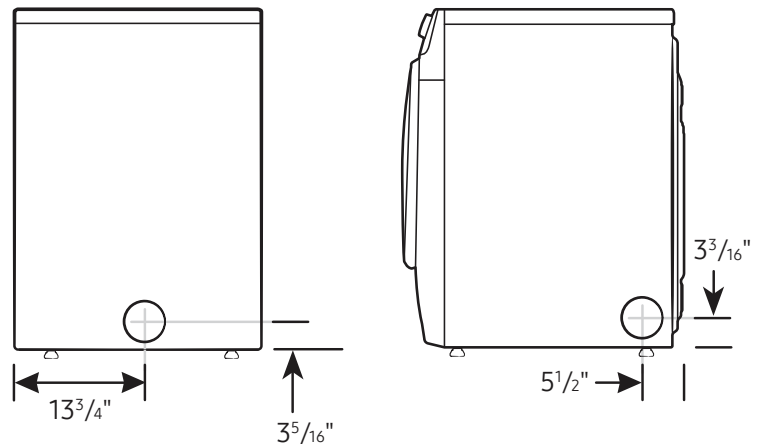
Alcove or closet installation

Minimum clearances for closet and alcove installations:



Connection Dimensions

Back and side view of dryer



Actual color may vary. Design, specifications, and color availability are subject to change without notice. Non-metric weights and measurements are approximate.

©2021 Samsung Electronics America, Inc., 85 Challenger Road, Ridgefield Park, NJ 07660. Tel: 800-SAMSUNG.samsung.com. Samsung is a registered trademark of Samsung Electronics Co., Ltd.

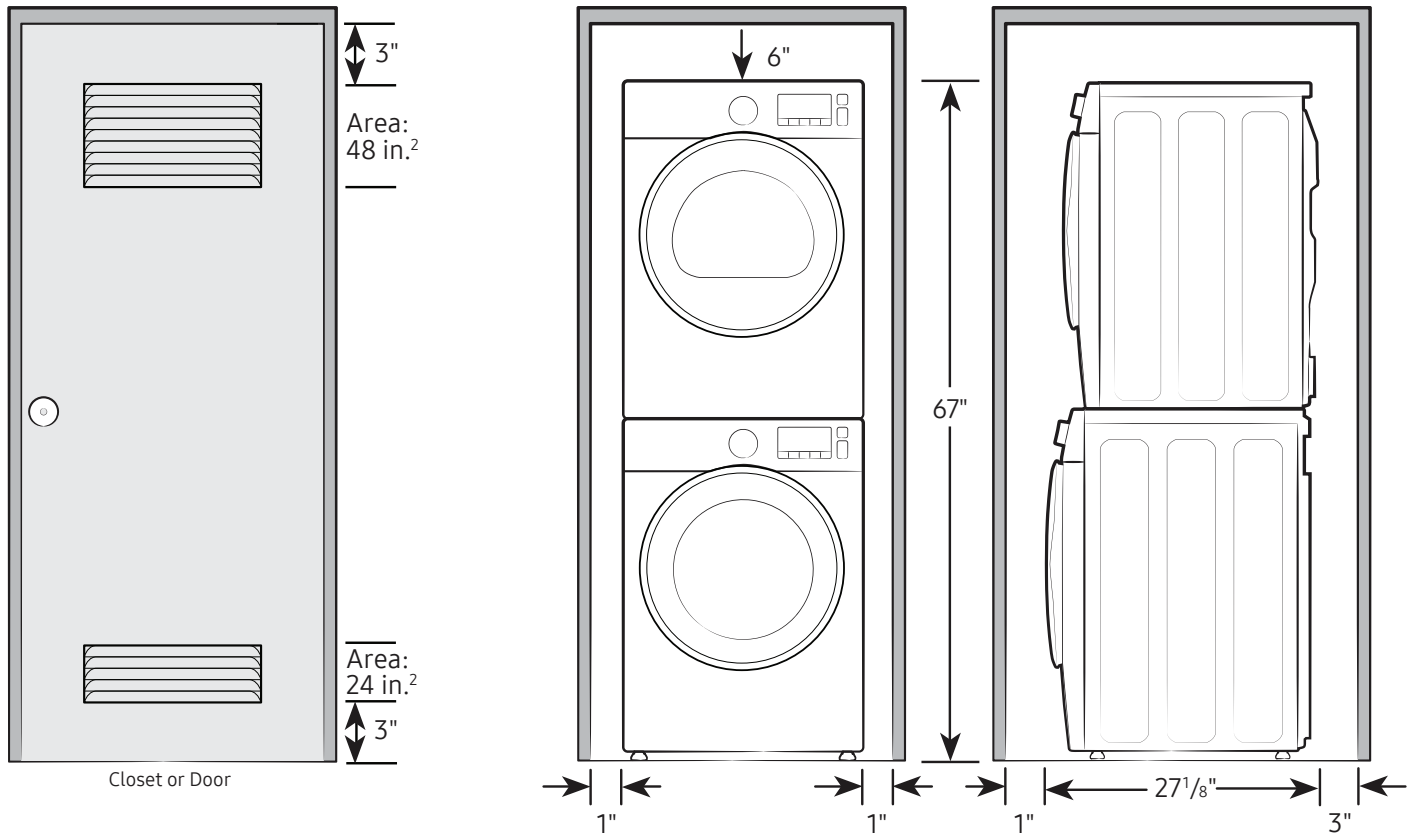
DV22K6800EW

SAMSUNG

Samsung 4.0 cu. ft. Capacity Electric Dryer with Sensor Dry

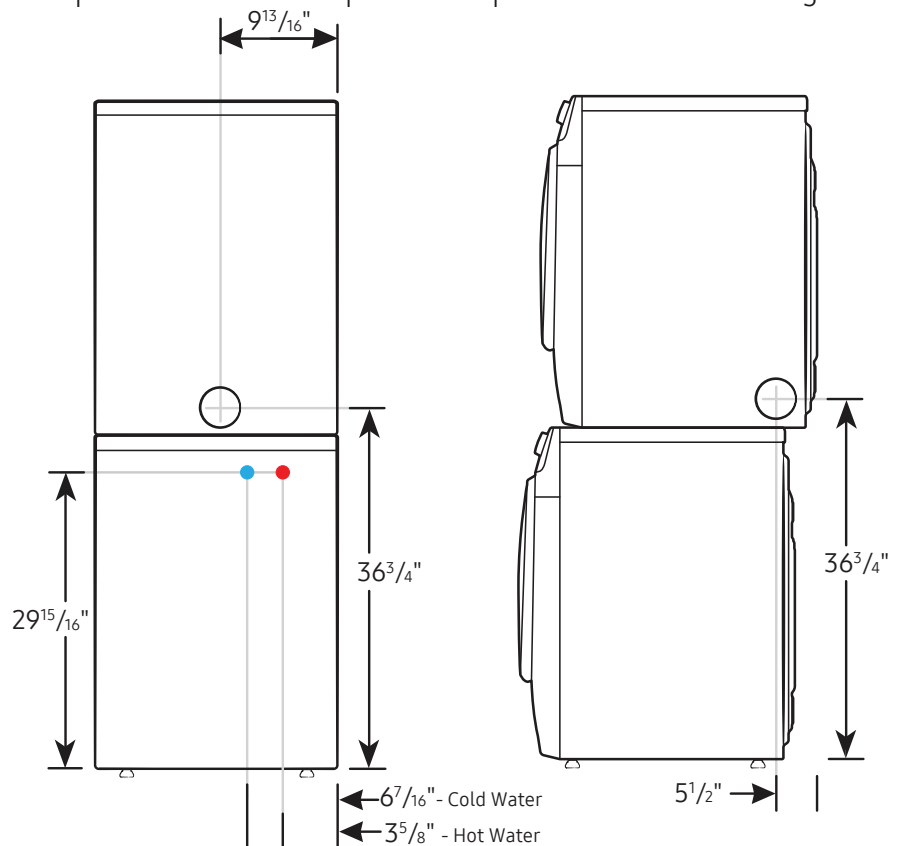
Installation Specifications – Stacked Pair

Clearances indicated are for stacked pairs. The closet front must have two unobstructed air openings for a combined minimum total area of 72-inch².



Connection Dimensions

Back and side views of stacked pair



LEGEND:

- Cold Water Connection
- Hot Water Connection

Actual color may vary. Design, specifications, and color availability are subject to change without notice. Non-metric weights and measurements are approximate.

©2021 Samsung Electronics America, Inc., 85 Challenger Road, Ridgefield Park, NJ 07660. Tel: 800-SAMSUNG. samsung.com. Samsung is a registered trademark of Samsung Electronics Co., Ltd.