



Color Variants

RF411700
fully integrated
Niche width 18" (45.7 cm), Niche height 84" (213.4 cm)

Included accessories

1 x ice cube scoop.

Optional accessories

RA450000
Mechanical particle filter
RA450010
Activated charcoal filter for water filter system including saturation indicator

Product Variants

RF461700
Freezer column 400 series
fully integrated
Niche width 24" (61 cm), Niche height 84" (213.4 cm)
RF471700
Freezer column 400 series
fully integrated
Niche width 30" (76.2 cm), Niche height 84" (213.4 cm)

RF411700
Freezer column 400 series
fully integrated
Niche width 18" (45.7 cm), Niche height 84" (213.4 cm)

- Stainless steel interior
- Solid aluminum door bins
- Net volume 8.5 cu. ft. (237 liters)
- Integrated ice maker with fixed water connection
- Energy Star® qualified

Operation

Electronic precision temperature control with digital temperature display.

Technical features

Dynamic cool air distribution.
Automatic defrosting with defrost water evaporation.
Energy-saving vacation mode.
Open-door and malfunction warning system.
Integrated, with fixed water connection.

Freezer compartment

No-frost technology with fast freezing.
Temperature adjustable from 7 °F to -9 °F (-14 °C to -25 °C).
Four solid metal shelves, three of which are manually adjustable.
Two fully extendable drawers with transparent front, one of which is large, one is regular.
Interior lighting with two spot lights.
Four height-adjustable door bins, one of which is a gallon door bin.
One door bin with transparent front flap.

Ice dispenser

Ice maker can be switched off independently.
Integrated water filter with saturation indicator integrated in toe kick.
Removable ice storage bin with approx. 8.8 lb (3.9 kg) capacity.
Ice cube production approx. 3.1 lb (1.4 kg)/24 h.

Consumption data

Energy consumption 1.014 kwh/24 h.

Planning notes

Flat hinge.
Door hinge left, reversible.
Door opening angle of 115°, optional 90° door stop.
Water connections.
Water pressure 29 to 116 psi.
Plan the power outlet and water connection behind the appliance per installation instructions.
Supply hose 118" with 3/4" connection.
Connecting cable 78 3/4" with plug.

Rating

120 V / 60 Hz
Total Amps: 15 A

Product Features

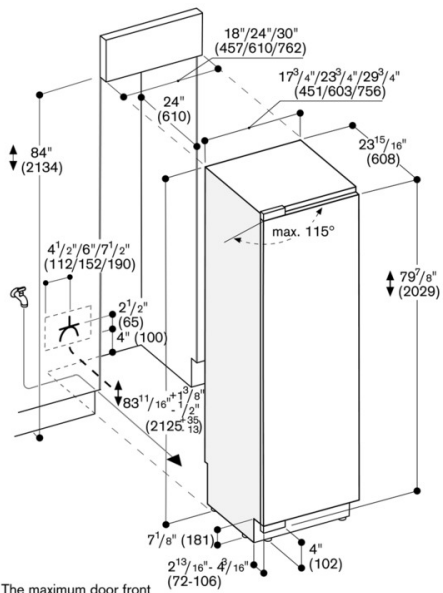
Multi-Flow Air Tower
Yes
Number of compressors
1
Number of independent cooling systems
1
Eco Mode
Yes
SUPERFREEZE
Yes
Number of Door Bins - Freezer
5
Adjustable Door Bins - Freezer
Yes
Tilt-Out Door Bins - Freezer
Yes
Number of Shelves - Freezer
3
Adjustable Door Bins - Freezer
Yes
Shelf Material - Freezer
Metal
Door Hinge
Left reversible
Reversible Door Hinge
Yes

Consumption and connection features

UPC code
825225847786
Variant color
Panel ready
Installation Type
N/A
Silence level (dBA)
39
Watts (W)
367
Current (A)
15
Volts (V)
120
Frequency (Hz)
60
Energy consumption (kWh/yr)
370.11
Energy Star® qualified
Yes
Approval certificates
ETL, ETL C
Power cord length (in)
78 3/4"
Plug type
120V-3 prong
Appliance dimensions (h x w x d) inch
83 3/4 " x 17 3/4" x 24"
Required cutout size (HxWxD) (in)
84" x 18" x 24 3/4"
Appliance Width (in)
17 3/4"
Height (in)
83 3/4 "
Depth (in)
24"
Product packaging dimensions (HxWxD) (in)
89.76 x 21.25 x 29.13
Total unit gross capacity (cu. ft.) - AHAM
8
Net weight (lbs)
302
Gross weight (lbs)
334
2013-04-22
Page 1

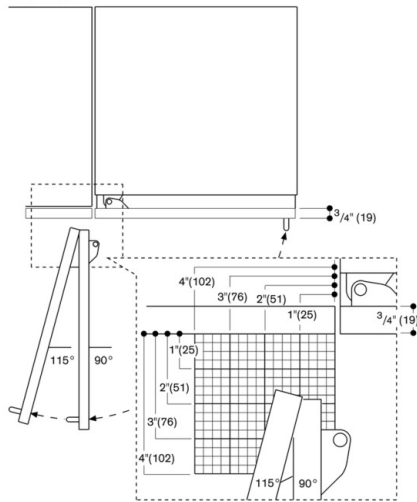
RF411700
 Freezer column 400 series
 fully integrated
 Niche width 18" (45.7 cm), Niche height
 84" (213.4 cm)

2013-04-22
 Page 2



The maximum door front measurements are designed for a gap measurement of 3 mm.

Door opening angle



The space required for the hinge and the consequential distance to the adjacent unit and its handle can be seen in the above drawing, depending on the thickness. The drawing assumes a panel thickness of 19 mm.

