

# Bosch Vision™ Series Laundry Pedestal



**BOSCH**

Invented for life



en Installation Instructions  
fr Notice d'installation  
es Instrucciones para la instalación

Installation Instructions

# Important Safety Information

Please read and follow these **Installation Instructions** along with all other information enclosed with the pedestal.

## Definitions

### WARNING

**WARNING** – This indicates that death or serious injuries may occur as a result of non-observance of this warning.

### CAUTION

**CAUTION**– This indicates that minor or moderate injury may occur as a result of non-observance of this warning.

### NOTICE

**NOTICE** – This indicates that damage may occur as a result of non-observance of this warning.

**i** This symbol is used to draw the user’s attention to important matters.

## Tools and Parts

Confirm receipt of the following parts and tools in the pedestal drawer:

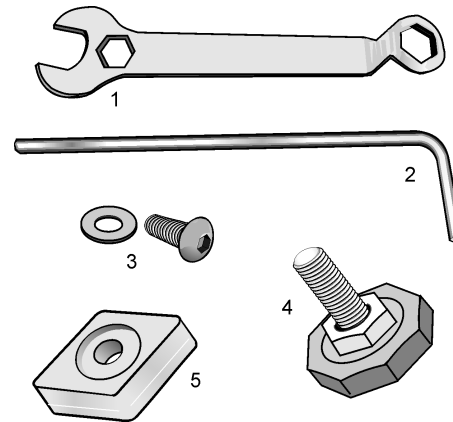


Figure 1

1. 17 mm open end wrench
2. 6 mm Allen (Hex) wrench
3. (4) Socket Head Cap Screws and (4) Flat Washers
4. (4) Height Adjustable Feet
5. (4) Spacers
6. Warranty Card (not pictured)

## Before You Start

**i** **Important:** If your appliance is already installed, it **MUST** be uninstalled before continuing.

If you need to uninstall your appliance, refer to the “**Operating, Care and Installation Instructions**” provided with your appliance for tools and information required.

### CAUTION

#### Excessive Weight Hazard

Use two or more people to move and uninstall the appliance. Failure to do so can result in injury.

### CAUTION

**Do not lift the appliance by the door or door opening.**

Keep the door closed at all times during the pedestal installation.

### WARNING

**Appliance must not be mounted on a pedestal in stacked installations.**

# Preparing Your Appliance

**Existing Appliance** – If you are installing the pedestal on an appliance that has already been in use, begin with the “*Preparing Your Existing Appliance*” section immediately below.

**New Appliance** – If you are installing the pedestal on a new washer or dryer, proceed to the “*Preparing Your New Appliance*” section on the page following.

## Preparing Your Existing Appliance

1. Pull the appliance away from the wall so it can be positioned on its left side.

Step 2 below applies to washers. For dryers go directly to step 3.

### NOTICE

Make sure the washer transportation bolts are reinstalled prior to pedestal installation to prevent potential damage to the washer drum.

**i** Your washer was originally shipped with four transportation bolts installed to protect the drum during transit. The washer installation instructions required these bolts to be removed during the original setup. The transportation bolts must now be reinstalled prior to pedestal installation.

2. To reinstall the transportation bolts:
  - ❑ Locate the four transportation bolt assemblies originally shipped with your washer (see Figure 2).

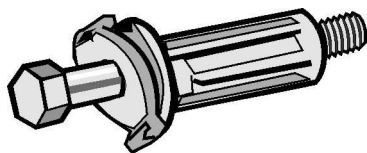


Figure 2

- ❑ Remove the four transportation bolt hole covers on the back of the washer. (1) Push the tab inward with your thumb while (2) sliding the cover in the direction of the two vertical slots in the plastic cover (see Figure 3).

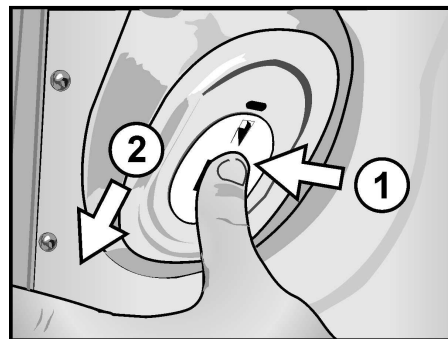
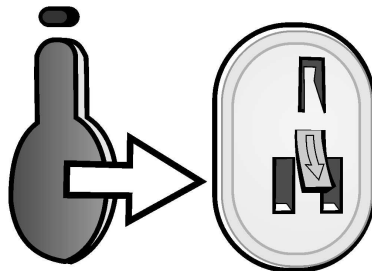


Figure 3

- ❑ Insert the bolt assemblies. Start with the lower left and install all four assemblies going counterclockwise. Align each one into the hole until the plastic bushing is all the way inside the back panel of the washer and the rectangular collar is oriented to fit the slot. This aligns the bolt assembly so the bolt will thread correctly into the drum. Slide the bolt assembly in the direction of the slotted area.
- ❑ When installing the first bolt assembly, it is necessary to push against the drum with the assembly to allow it to slide into place.

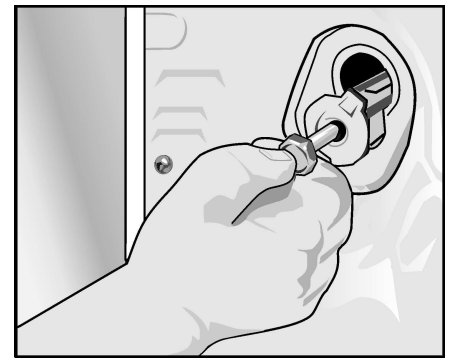


Figure 4

- ❑ Make sure the tab on the transportation bolt washer is inserted in the slot on the washing machine back panel.

**i** Do not thread any of the bolts until all four are in place, then tighten each one.

### NOTICE

Damage to the drum may result if the plastic bushing is removed from the bolt prior to tightening.

3. Protect the floor and the side of the appliance by laying a sufficiently large piece of cardboard (such as the pedestal carton) or other suitable protective covering flat on the floor to the left of the unit.

Support the appliance approximately 1 1/2” to 2” off the floor (see Figure 5).

Helpful Hint: Rolled up towels can be used as support.



### CAUTION

When lifting or lowering the appliance onto its side, avoid sliding it against the floor as this may result in injury or damage.

4. Lay the appliance on its **LEFT** side (see Figure 6).

**Note for Washers:** Slight water spillage may be noticed due to laying washer on its side.

5. Go to the “*Installing the Pedestal*” section of this manual.

# Preparing Your New Appliance

1. Position the original packaged appliance close to the final location. Using a utility knife, cut the two packaging straps.

## NOTICE

If installing the pedestal to a new washer, **do not remove the washer transportation bolts** prior to installing the pedestal.

2. Remove the protective film, four corner supports, and two foam packaging pieces.
3. Protect the floor and the side of the appliance by laying a sufficiently large piece of cardboard (such as the pedestal carton) or other suitable protective covering flat on the floor to the left of the unit.

Support the appliance approximately 1 1/2" to 2" off the floor.

Helpful Hint: Place the two corner supports from your appliance packaging (see **Figure 5**).

If corner supports are not available, items such as rolled up towels can be used.

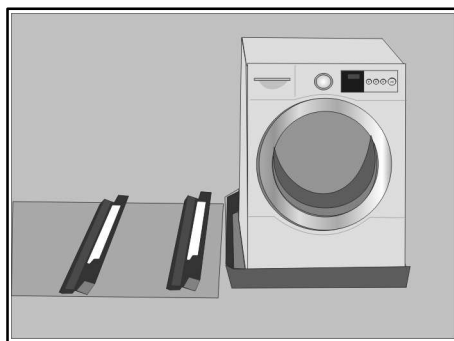


Figure 5

4. Lay the appliance on its **LEFT** side (see **Figure 6**).

**Note for Washers:** Slight water spillage may be noticed due to laying washer on its side.

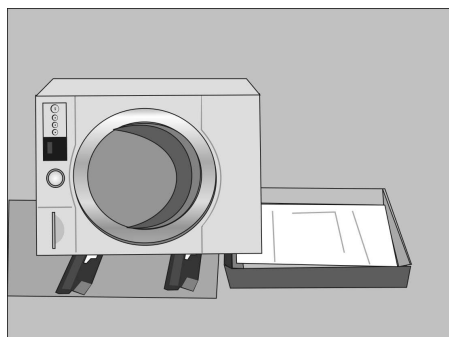


Figure 6

5. Remove the bottom of the packaging.
6. Go to **"Installing the Pedestal"** section of this manual.

## Installing the Pedestal



### CAUTION

Do not place fingers near the bottom of the pedestal while moving the drawer.

Doing so can result in a cut or pinch injury.

1. Remove the feet originally installed in the appliance (see **Figure 7**). **DO NOT** reinstall these feet into the pedestal. Retain the feet in case the appliance needs to be reinstalled later without the pedestal.

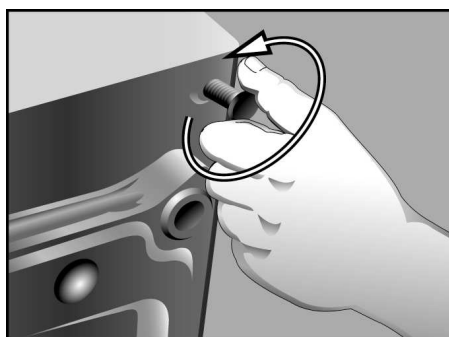


Figure 7

2. Protect the floor and the side of the pedestal by laying a sufficiently large piece of cardboard or other suitable protective covering flat on

the floor under the pedestal.

Remove the drawer from the pedestal by depressing the drawer release levers located in the drawer slide rails. Set the drawer aside.

**Helpful hint:** It is recommended to have an assistant hold the pedestal housing during drawer removal.

Push **up** on the drawer release lever on the **left side** and **down** on the drawer release lever on the **right side** while removing the drawer (see **Figure 8**).

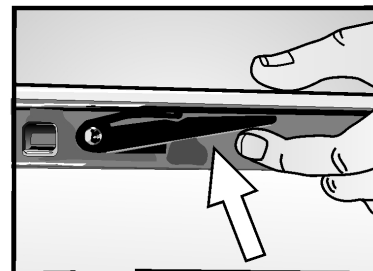


Figure 8



### CAUTION

#### Excessive Weight Hazard

Use two or more people to install the pedestal. Failure to do so can result in injury.

3. Place the top of the pedestal against the appliance bottom. Ensure the pedestal drawer opening and appliance door face the same direction (see **Figure 9**).

**Helpful hint:** Foam packaging may be used to help align the pedestal and the appliance.

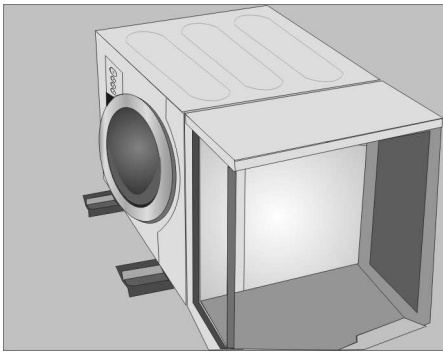


Figure 9

- Using the 6 mm Allen (Hex) wrench, install the socket head cap screws and flat washers (see Figure 10).

Insert the square spacer between the pedestal housing and the appliance housing. Holding the spacer in place, insert the bolt so it passes through the flat washer, pedestal housing, then the spacer, and into the protruding threaded bushing in the appliance base. Repeat for all four bolts.

Make sure the webbed side of each spacer is down toward the base of the pedestal. The spacer should fit up against the appliance housing. Align the outer edges of the spacer with the appliance and pedestal housings. Loosely thread all four bolts with the washers and spacers in place before tightening any of the bolts completely.

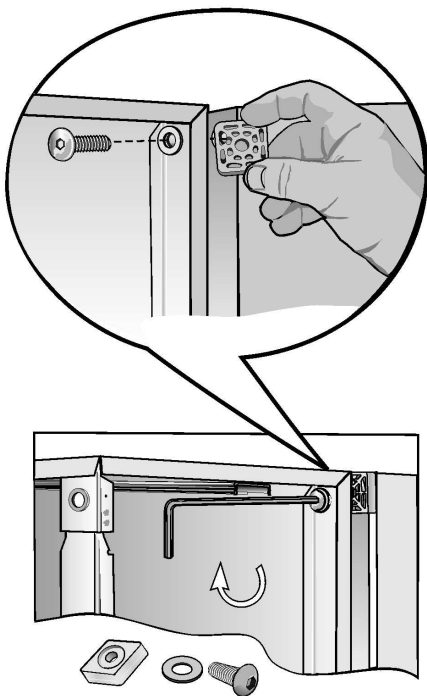


Figure 10

Use the wrench to **HAND TIGHTEN** all screws (see Figure 10).

**Helpful hint:** Do not tighten any screws completely until all are started into their threads.

After all screws are hand tight, use the wrench to tighten an additional 1/3 to 1/2 turn (see Figure 11).

**Note:** Tightening torque for the pedestal screws is a minimum of 10 ft-lb (14 N-m) to 13 ft-lb (18 N-m).

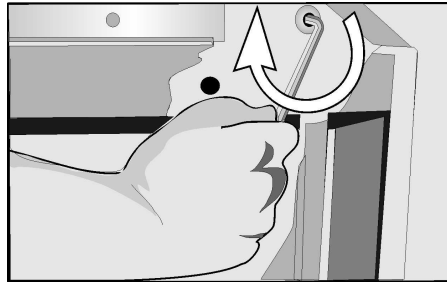


Figure 11

- Install the four new feet that are included with the pedestal. Screw the feet into the threaded corner holes in the base of the pedestal.

## NOTICE

**Use only the feet supplied with the pedestal.** Do not use the feet that originally came with the appliance.

Using the supplied 17 mm open end wrench, tighten only the two rear feet locknuts against the pedestal housing (see Figure 12).

The front two feet should be hand tightened only, so the appliance can be leveled later.

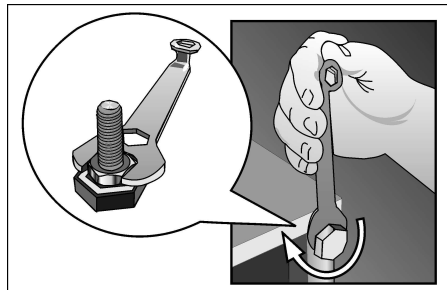


Figure 12

## CAUTION

When lifting the appliance, be careful not to allow it to slide against the floor.

If the appliance slides, it may cause injury or damage.

- Lift the appliance and pedestal assembly back to an upright position (use of an assistant is required) (see Figure 13).

## CAUTION

Avoid holding the appliance by the pedestal when lifting it.

To avoid damaging the pedestal do not use a dolly to lift or move the appliance once the pedestal is installed.

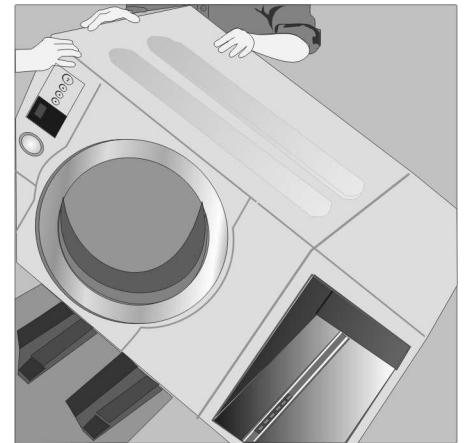


Figure 13

**Step 7 below applies to washers. For dryers go directly to step 8.**

- Remove the transport bolts.

## CAUTION

To avoid possible injury and damage to the appliance and adjacent surfaces, all four transport bolts must be removed before using the appliance. Retain the bolts for use in any future transport (e.g. when moving).

- ❑ Loosen all four bolts before removing any of the bolts all the way from the unit.
- ❑ Remove the bottom two bolts prior to removing the top two bolts.

- ❑ Loosen the bolts using the closed end of the 17mm wrench provided. Loosen them until they can be removed freely.
- ❑ The recessed bottom bolts may be more easily removed using a 1/2" (13 mm) socket wrench.

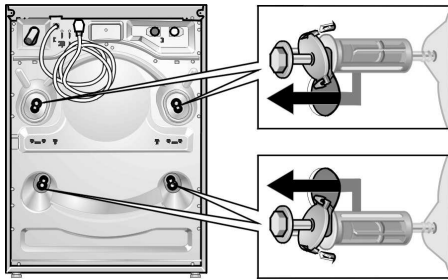


Figure 14

- ❑ Completely remove all 4 transport bolt assemblies (bolt, washer and bushings) by reaching through the open washing machine door and pulling the drum slightly forward to loosen, then pull them out from the back (see **Figure 14**).
- ❑ If the bushings do not come out when removing the bolts, place the bolts back into the bushings and carefully try again. It is important to do this with the bolts, otherwise the bushings will not come out properly.

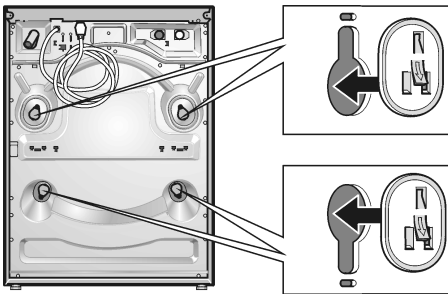


Figure 15

- ❑ Insert the covers until they snap in completely (see **Figure 15**).

### Storing the transport bolts

Always keep the transport bolts for future transportation of the appliance (such as when moving out).

- ❑ Store the transport bolts with the washer and bushing attached.

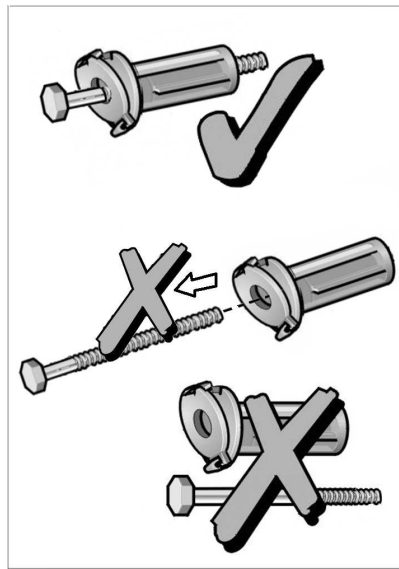


Figure 16

8. Follow the Installation Instructions that came with your appliance to finish installing or reinstalling your appliance (i.e., hoses, vents, etc.)
9. Slide the appliance to its final location.

## Leveling Procedure

1. The appliance should now be in its final position, ready for leveling (moving the appliance after leveling can make it unlevel again.) Each foot of the appliance or pedestal must be placed firmly on the floor to prevent the appliance from wobbling. Start with all four feet screwed in as far as possible, then back individual feet out as necessary to level the appliance. Move the feet as little as possible to help reduce vibration.
2. Use a bubble level (24" or less in length) to check the leveling status of the appliance (be sure the level fits between the edges of the appliance, and is not elevated at one end on a ridge on the surface of the appliance.)
  - ❑ Lay the bubble level across the unit worktop to check the level from side to side and from front to back.
  - ❑ A center-located bubble indicates the unit is leveled. Otherwise, repeat the leveling procedure until the unit is leveled. Tip: if the bubble is closer to one end, it indicates the high side of the unit. To level the unit, either lower the higher side or raise the lower side.
  - ❑ After leveling the unit from side to side, then turn the level so that it lays on the worktop from front to back to check if it is level in that direction.



## CAUTION

To avoid risk of injuries –Take care when using the wrench.

- ❑ Loosen the lock nut (see **Figure 17, item 1**) by turning it clockwise. Use the wrench provided (or a 5/8" – 16mm open end wrench). When you turn the lock nut, the foot (see **Figure 17, item 2**) it is locked against will turn with it. This will extend the height of the foot.

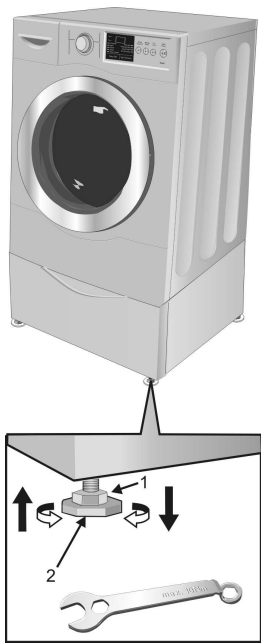


Figure 17

- Turning the foot out (clockwise) will raise the corner of the appliance, turning the foot in (counter-clockwise) will lower the corner of the appliance.

When the corner of the appliance is satisfactorily raised or lowered, lock the height-adjustable feet in place by turning the lock nut counter-clockwise until it locks tightly against the pedestal housing.

**i** It may be necessary to hold the appliance foot with a pair of pliers to keep it from turning while tightening the lock nut. If the foot does turn, it will change the height of the corner.

- After making preliminary adjustments, press down on each corner of the appliance to make sure the unit does not wobble. If it does wobble, lower the foot on that corner until the foot touches the floor firmly.

3. **For Washers:** Fine tune the leveling by placing a small load of laundry in the machine, starting it in spin cycle and then leveling the appliance again.

**i** If the test spin cycle is manually stopped before its completion, then the door may remain locked for 10 seconds.

**Note:** Correct adjustment of feet (equal weight distribution to all feet) is required to minimize vibration and movement of the appliance during operation.

4. Use the supplied 17mm open-end wrench to securely tighten both locknuts for the front feet against the pedestal. **All locknuts must be tightened firmly to prevent the height adjustable feet from moving during appliance use.**
5. Slide the ball bearing rails on the pedestal side to the front (see Figure 18).

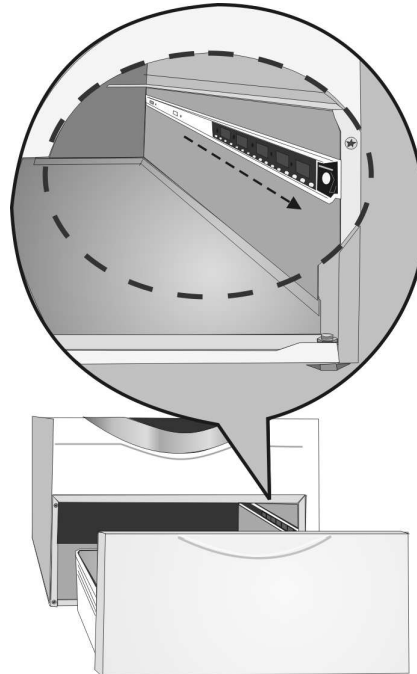


Figure 18

6. Replace the drawer by aligning it to the drawer slides. Ensure slides of pedestal and drawer are aligned correctly (see Figure 19).

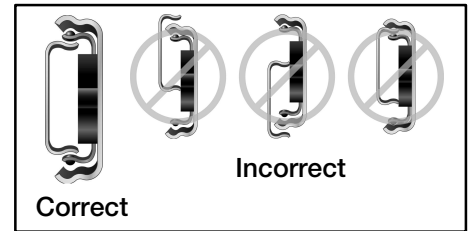


Figure 19

7. Close the drawer.  
Ensure drawer slides are correctly engaged by freely opening and closing the drawer.

**CAUTION**  
Do not use the drawer as a step.

For problems with or service on your pedestal contact **BSH Home Appliances**. Contact information is available in the “Customer Service” section of the appliance manual.

---

# WARRANTY

## Full One-Year Warranty on Mechanical Parts

For one year from the date of purchase, when this pedestal is installed with the listed washer or dryer and operated according to the instructions provided in the washer or dryer **“Operating, Care and Installation Instructions”**, supplier will repair or replace any of its mechanical parts if defective in material or workmanship.

## Warranty Restriction

If the Pedestal is subject to other than private family use and/or used with any other product than those listed in the **Installation Instructions**, the warranty is null and void.

## Warranty Service

Warranty service is available by contacting the retailer where the Pedestal was purchased. If retailer is not available, please refer to the **“Operating, Care and Installation Instructions”** that came with the washer or dryer that is installed with the Pedestal and contact the service department listed there.

This warranty applies only while the Pedestal is in use in the United States or Canada\*. This warranty gives you specific rights and you may also have other rights which vary from state to state or province to province.

\*Warranty terms may vary in Canada.

In the space below, record the purchase date of your pedestal and model and serial number of the appliance on which the pedestal is installed.

Save these instructions and your sales receipt for future reference.

**Purchase Date** \_\_\_\_/\_\_\_\_/\_\_\_\_

**Appliance Model Number** \_\_\_\_\_

**Appliance Serial Number** \_\_\_\_\_

# Renseignements importants sur la sécurité

Lire et suivre les recommandations contenues dans la **notice d'installation** et lire tous les autres documents d'information fournis avec le socle.

## Définitions

### **AVERTISSEMENT**

**Avertissement** – Ce symbole vous prévient d'un danger de mort ou d'un risque de blessures graves si vous ne respectez pas l'avertissement qui l'accompagne.

### **PRUDENCE**

**Prudence** – Ce symbole vous prévient d'un risque de blessures si vous ne respectez pas l'avertissement qui l'accompagne.

### **NOTIFICATION**

**Prudence** – Ce symbole vous prévient d'un risque de dégâts matériels si vous ne respectez pas l'avertissement qui l'accompagne.

**i** Ce symbole est destiné à attirer votre attention sur quelque chose de particulier.

# Outillage et pièces

Vérifiez que les pièces et outils suivants ont bien été livrés avec le tiroir-socle :

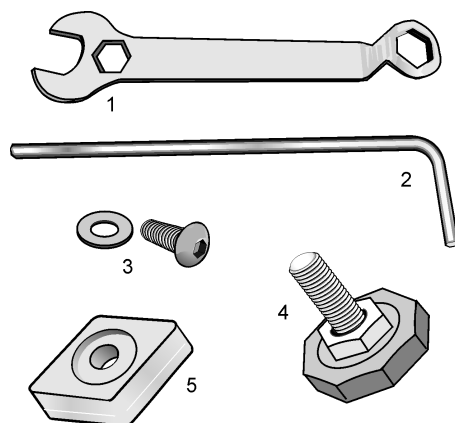


Figure 1

1. Clé à fourche de 17 mm
2. Clé mâle à six pans (hexagonale) de 6 mm
3. (4) Vis à tête cylindrique à six pans creux et (4) rondelles plates
4. (4) Pieds de réglage de la hauteur
5. (4) entretoises
6. Carte de garantie (non illustrée)

# Avant de commencer

**i** **Important: si votre appareil est déjà installé, vous DEVEZ le démonter avant de poursuivre.**

Si vous avez besoin de démonter l'appareil, reportez-vous à la « **Notice d'utilisation, de maintenance et d'installation** » livrée avec l'appareil pour connaître les instructions et les outils requis.

### **PRUDENCE**

#### **Risque de poids excessif**

Le déplacement et le démontage de l'appareil nécessite deux personnes ou plus. Le non-respect de cette consigne peut entraîner des lésions.

### **PRUDENCE**

#### **Ne pas soulever l'appareil par la porte ou son cadre.**

Maintenir la porte fermée à tout moment pendant l'installation du socle.

### **AVERTISSEMENT**

L'appareil ne doit pas être installé sur un socle dans les montages en superposition.

# Préparation de votre appareil

**Appareil existant** – Si vous installez le socle sur un appareil déjà en service, commencez par la section qui vient immédiatement après intitulée « *Préparation de l'appareil existant* ».

**Nouvel appareil** – Si vous installez le socle sur une nouvelle laveuse ou sècheuse, passez à la section de la page suivante intitulée « *Préparation de votre nouvel appareil* ».

## Préparation de votre appareil existant

1. Tirez l'appareil vers l'avant pour l'éloigner du mur afin de pouvoir le coucher sur son côté gauche.

L'étape 2 ci-dessous concerne les laveuses. Pour les sècheuses, passez directement à l'étape 3.

### NOTIFICATION

Veillez à remonter les boulons de transport de la laveuse avant d'installer le socle pour éviter d'endommager éventuellement le tambour de la laveuse.

- i** Votre laveuse a été expédiée à l'origine avec quatre boulons de transport installés pour protéger le tambour au cours du transport. Conformément à la notice d'installation de la laveuse, il a été nécessaire d'enlever ces boulons lors de l'installation initiale. Les boulons de transport doivent maintenant être remis en place avant l'installation du socle.

2. Pour remonter les boulons de transport :
  - ❑ Recherchez les quatre boulons de transport livrés à l'origine avec la laveuse (voir la **Figure 2**).

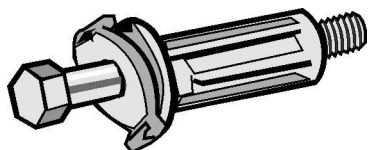


Figure 2

- ❑ Retirez les quatre caches des trous des boulons de transport à l'arrière de la laveuse. (1) Enfoncez la patte vers l'intérieur avec le pouce tout en (2) faisant glisser le cache dans la direction des deux fentes verticales du cache plastique. (Voir la **Figure 3**).

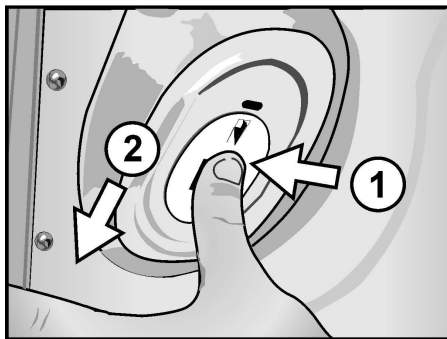
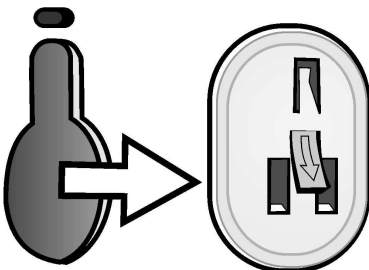


Figure 3

- ❑ Insérez les assemblages de boulons. Commencez par la partie inférieure gauche de l'appareil et installez les quatre assemblages de boulons en sens contraire des aiguilles d'une montre. Alignez chacun d'eux avec les trous jusqu'à ce que la bague en plastique rentre complètement à l'intérieur du panneau arrière de la laveuse et que le collier rectangulaire soit orienté de telle façon qu'il puisse s'emboîter dans la fente. Ceci permet d'aligner l'assemblage de boulon de façon à ce que le boulon puisse se visser correctement dans le tambour. Faites glisser l'assemblage de boulon dans la direction de la zone à fentes.
- ❑ Durant le montage du premier assemblage de boulon, il est nécessaire de pousser sur le tambour avec l'assemblage pour qu'il puisse glisser en position.

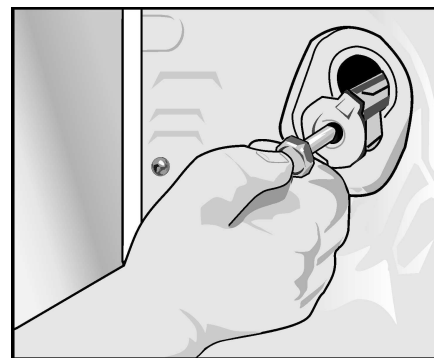


Figure 4

- ❑ Assurez-vous que la patte de la rondelle du boulon de transport est insérée dans la fente sur le panneau arrière de la laveuse.

- i** Ne serrez aucun boulon avant que les quatre boulons soient en place, puis serrez-les l'un après l'autre.

### NOTIFICATION

Il y a un risque d'endommager le tambour si l'on enlève la bague en plastique du boulon avant le serrage.

3. Protégez le sol et le côté de l'appareil avec un morceau de carton suffisamment grand (tel que l'emballage en carton du socle) ou tout autre matériau de protection approprié que vous mettrez à plat sur le sol à gauche de l'appareil.

Glissez un support sous l'appareil afin de l'élever à environ 1 1/2 à 2 po du sol (voir la **Figure 5**).

Conseil pratique : vous pouvez utiliser des serviettes roulées en guise de support.

### PRUDENCE

Évitez de faire glisser l'appareil sur le sol en le soulevant ou en l'abaissant pour le coucher sur le côté, car ceci est susceptible d'occasionner des lésions ou dommages.

- Couchez l'appareil sur son côté **GAUCHE** (voir la **Figure 6**).

**Remarques à propos des laveuses :** une fois que la laveuse repose sur son côté, il est possible que vous remarquiez un petit déversement d'eau.

- Reportez-vous à la section « **Installation du socle** » de ce manuel.

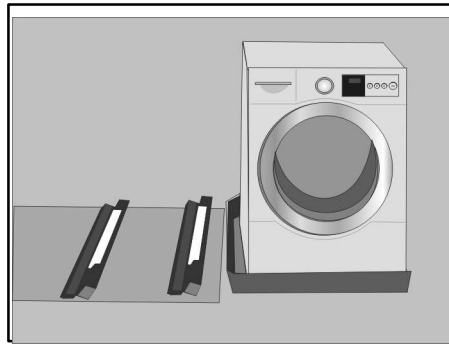


Figure 5

- Couchez l'appareil sur son côté **GAUCHE** (voir la **Figure 6**).

**Remarques à propos des laveuses :** une fois que la laveuse repose sur son côté, il est possible que vous remarquiez un petit déversement d'eau.

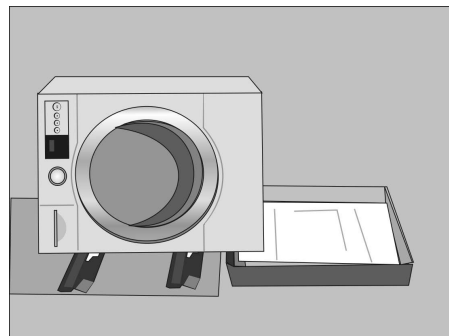


Figure 6

- Retirer le dessous de l'emballage.
- Reportez-vous à la section « **Installation du socle** » de ce manuel.

## Installation du socle



### PRUDENCE

Ne pas mettre les doigts près de la partie inférieure du socle tout en déplaçant le tiroir.

Le non-respect de cette consigne peut entraîner des coupures ou des pincements.

- Enlevez les pieds installés à l'origine sur l'appareil (voir la **Figure 7**). **NE PAS** réinstaller ces pieds sur le socle. Conservez les pieds de l'appareil au cas où celui-ci doit être réinstallé plus tard sans le socle.

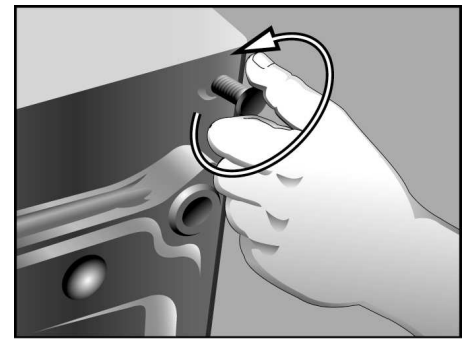


Figure 7

- Protégez le sol et le côté du socle avec un morceau de carton suffisamment grand ou tout autre matériau de protection approprié que vous mettrez à plat sur le sol sous le socle.

Enlevez le tiroir du socle en exerçant une pression sur les leviers de dégagement situés au niveau des glissières du tiroir. Mettez le tiroir de côté.

**Conseil pratique :** il est recommandé de demander à quelqu'un de vous aider à tenir le bâti du socle pendant que vous enlevez le tiroir.

**Levez** le levier de dégagement du tiroir du **côté gauche** et **abaissez** le levier de dégagement **droit** tout en enlevant le tiroir (voir la **Figure 8**).

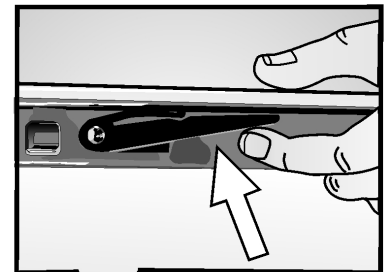


Figure 8

## NOTIFICATION

Si vous installez le socle sur une nouvelle laveuse, **ne pas enlever les boulons de transport de la laveuse** avant d'installer le socle.

- Enlevez le film protecteur, les quatre protecteurs de coins, et les deux pièces d'emballage en mousse.
- Protégez le sol et le côté de l'appareil avec un morceau de carton suffisamment grand (tel que l'emballage du socle) ou tout autre matériau de protection approprié que vous mettrez à plat sur le sol à gauche de l'appareil.

Glissez un support sous l'appareil afin de l'élever à environ 1 1/2 à 2 po du sol.

**Conseil pratique :** placez les deux protecteurs de coins de l'appareil se trouvant dans l'emballage (voir la **Figure 5**)

S'il n'y a pas de protecteurs de coins, vous pouvez utiliser des serviettes roulées.

## PRUDENCE

### Risque de poids excessif

L'installation du socle nécessite deux personnes ou plus. Le non-respect de cette consigne peut entraîner des lésions.

3. Placez le dessus du socle contre la partie inférieure de l'appareil.

S'assurez que l'ouverture du tiroir du socle et la porte de l'appareil sont orientés dans le même sens (voir la **Figure 9**).

**Conseil pratique** : vous pouvez utiliser l'emballage en mousse pour faciliter l'alignement du socle et de l'appareil.

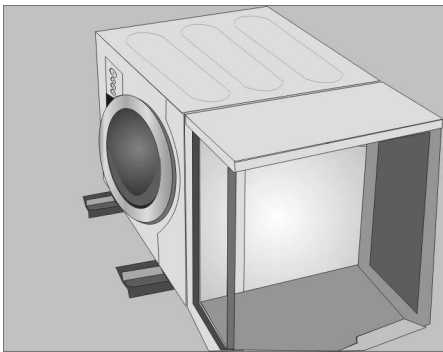


Figure 9

4. À l'aide de la clé mâle à six pans (hexagonale) de 6 mm, installez les vis à tête cylindrique à six pans creux et les rondelles plates (voir la **Figure 10**).

Insérer l'entretoise carrée entre le boîtier du socle et celui de l'appareil. Tenir en place l'entretoise et faire passer le boulon à travers la rondelle plate, le boîtier du socle et l'entretoise pour l'introduire dans la douille fileté saillante à la base de l'appareil. Répéter cette procédure pour les quatre boulons.

S'assurer que le côté palmé de chaque entretoise pointe vers le bas du socle. L'entretoise devrait entrer en contact avec le boîtier de l'appareil. Aligner le bord extérieur de l'entretoise avec les boîtiers de l'appareil et du socle. Une fois que toutes les entretoises et rondelles auront été mises en place, serrer les quatre boulons à la main avant de les serrer à l'aide de la clé.

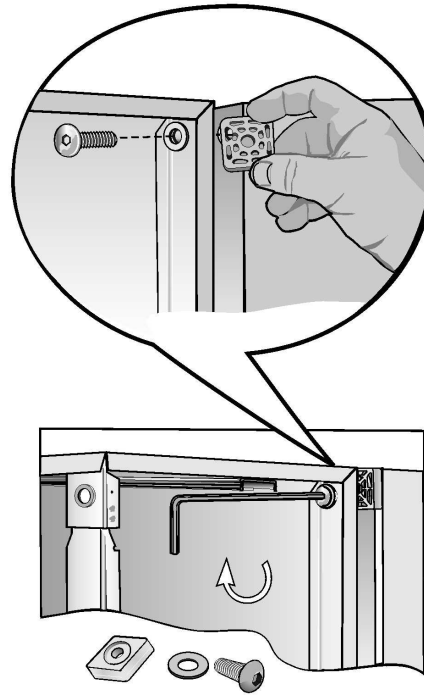


Figure 10

À l'aide de la clé, **SERREZ À LA MAIN** toutes les vis (voir la **Figure 10**).

**Conseil pratique** : ne pas serrer les vis complètement tant que tous les filets ne sont pas engagés.

Une fois que toutes les vis auront été serrées à la main, utilisez la clé pour les serrer encore d'un tiers ou d'un demi tour (voir la **Figure 11**).

**Remarque** : le couple de vissage des vis du socle est compris entre 10 pi-lb (14 N-m) et 13 pi-lb (18 N-m) minimum.

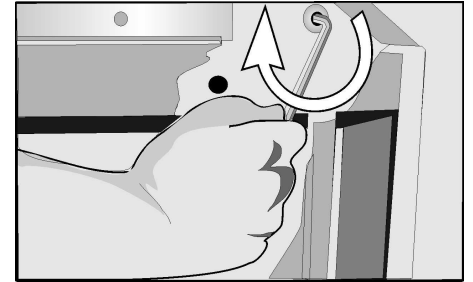


Figure 11

5. Installez les quatre nouveaux pieds inclus avec le socle. Vissez chaque pied dans les trous d'angle filetés dans la partie inférieure du socle.

## NOTIFICATION

**Utilisez uniquement les pieds fournis avec le socle.** Ne pas utiliser les pieds originaux livrés avec la laveuse.

À l'aide de la clé à fourche de 17 mm, ne serrez que les deux contre-écrous des pieds arrière sur le bâti du socle (voir la **Figure 12**).

Les deux pieds avant doivent être serrés uniquement à la main, afin de pouvoir mettre l'appareil de niveau ultérieurement.

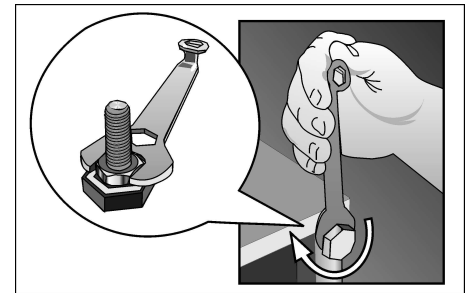


Figure 12

## PRUDENCE

Soulevez l'appareil avec prudence afin qu'il ne glisse pas sur le sol.

L'appareil en glissant est susceptible d'occasionner des lésions ou dommages.

6. Soulevez l'assemblage appareil/socle pour les remettre en position verticale (obtenir l'aide d'une personne, voir la **Figure 13**).

## PRUDENCE

Évitez de tenir l'appareil par le socle en le soulevant.

Pour éviter d'endommager le socle, ne pas utiliser de diable pour soulever ou déplacer l'appareil une fois le socle installé.

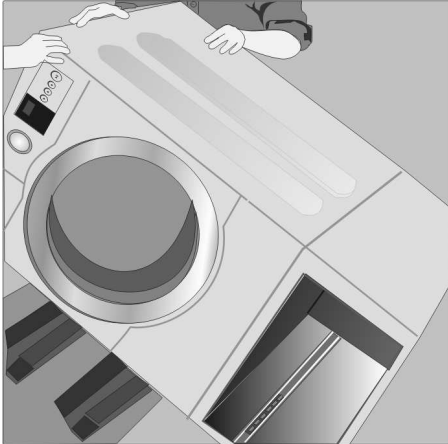


Figure 13

L'étape 7 ci-dessous concerne les laveuses. Pour les sècheuses, passez directement à l'étape 8.

7. Enlevez les boulons de transport.

## PRUDENCE

Ne mettez pas l'appareil en service pour la première fois tant que vous n'avez pas retiré ses cales de transport. Conservez ces cales en vue d'un déplacement ultérieur (déménagement par ex) de l'appareil.

- Desserrez les 4 boulons avant de dévisser complètement l'un des quatre boulons.
- Enlevez les deux boulons du bas avant ceux du haut.
- Desserrez les boulons en vous servant de l'extrémité fermée de la clé 1/2" livrée d'origine.

Desserrez les boulons jusqu'à pouvoir les retirer librement.

- Les boulons du fond en retrait seront peut-être plus faciles à enlever à l'aide d'une clé à pipe de 1/2" (13 mm).

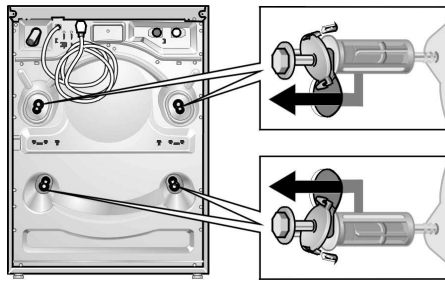


Figure 14

- Enlevez complètement chaque boulon de transport (boulon, ressort, rondelle et douilles). Pour ce faire, introduisez la main par le hublot ouvert et tirez légèrement le tambour en avant (voir Figure 14).
- Si les douilles ne sortent pas lorsque vous retirez les vis, remplacez ces dernières dans les douilles puis essayez à nouveau avec précaution. Il est important que vous vous serviez des vis, sinon les douilles ne sortiront pas correctement.

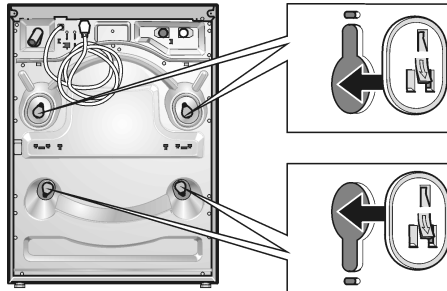


Figure 15

- Insérez les caches jusqu'à ce qu'ils encliquent à fond (see Figure 15).

## Rangement des cales de transport

Ne jetez pas les cales de transport. Vous en aurez besoin lors d'un déplacement futur de l'appareil (par ex. lors d'un déménagement).

- Rangez les cales de transport chacune équipée de sa rondelle et de sa douille.

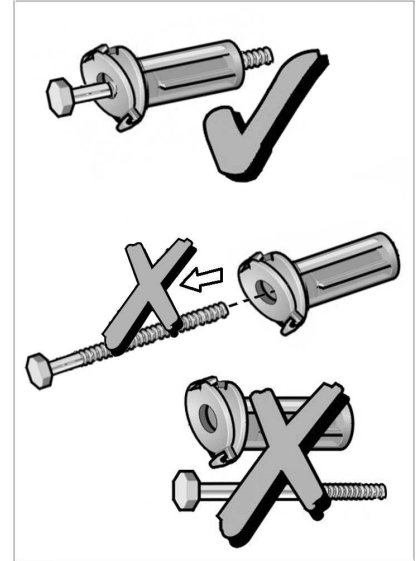


Figure 16

8. Suivez la notice d'installation livrée avec l'appareil pour terminer l'installation ou la réinstallation de l'appareil (c.-à-d. conduits, événements, etc.)
9. Faites glisser l'appareil jusqu'à son emplacement final.

## Ajustage horizontal

1. L'appareil doit maintenant se trouver à sa place définitive, prêt à être mis à niveau (si vous déplacez l'appareil après l'avoir mis à niveau, il faudra refaire la mise à niveau)

Placez tous les pieds du socle bien d'aplomb sur le sol pour assurer sa stabilité.

Procédez après avoir vissé les quatre pieds le plus possible, puis vous mettez à niveau l'appareil en dévissant chaque pied. Déplacez les pieds le moins possible pour réduire les vibrations.

2. Utilisez le niveau à bulle (longueur de 24 pouces maximum) pour mettre à niveau l'avant et l'arrière l'appareil, puis les côtés (vérifiez que le niveau à bulle s'encastre entre les bords du lave-linge, la moulure à la surface de l'appareil ne doit pas surélever une de ses extrémités).

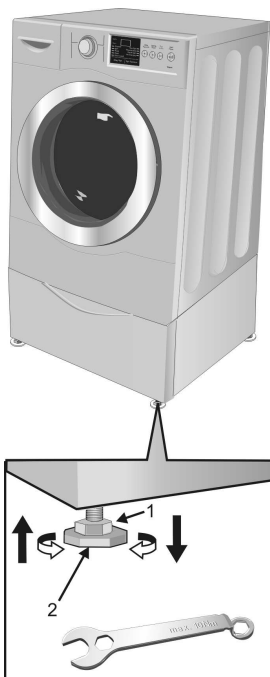
- Posez le niveau à bulle sur le dessus de l'appareil pour vérifier le niveau d'un côté à l'autre et de l'avant vers l'arrière.
- Si la bulle se situe au centre, cela signifie que l'appareil est bien nivelé. Si ce n'est pas le cas, répétez la procédure de nivellement jusqu'à ce qu'il soit bien nivelé. Un conseil: si la bulle est proche d'une extrémité, ceci signifie que cette extrémité est plus élevée que l'autre. Pour niveler l'appareil, abaissez l'extrémité trop haute ou relevez l'extrémité trop basse.
- Après avoir nivelé l'appareil d'un côté à l'autre, tournez le niveau à bulle pour qu'il repose, sur le dessus, de l'avant à l'arrière de l'appareil, et vérifiez aussi le nivellement dans ce sens-là.



### PRUDENCE

POUR EVITER RISQUE DE BLESSURES – Soyez prudent pendant que vous utilisez la clé.

- Dévissez le contre-écrou (voir la **Figure 17, repère 1**) en tournant dans le sens des aiguilles d'une montre. Utilisez la clé fournie (ou une clé à fourche de 5/8 po (16 mm)). Lorsque vous tournez le contre-écrou, le pied (voir la **Figure 17, repère 2**) contre lequel il est bloqué tournera avec lui. Ceci aura pour effet d'allonger la hauteur du pied.



- Faire sortir le pied (tourner en sens horaire) soulève le coin du lave-linge. Faire rentrer le pied (tourner dans le sens anti-horaire) abaisse le coin du lave-linge.

Une fois le coin levé ou abaissé au niveau approprié, immobilisez le pied réglable en tournant l'écrou de blocage dans le sens anti-horaire jusqu'à ce qu'il se bloque contre le capôt du socle.

- i** Vous devrez éventuellement utiliser une paire de pinces pour maintenir le pied et l'empêcher de tourner avec l'écrou que vous serrez. Si le pied tourne, ce dernier va modifier la hauteur du coin.

- Lorsque le coin de l'appareil a été soulevé ou abaissé à satisfaction, verrouillez le pied de réglage de la hauteur en tournant le contre-verrou en sens inverse des aiguilles d'une montre jusqu'à ce qu'il soit fermement verrouillé contre le bâti du socle.

3. **Pour les laveuses :** pour un réglage de précision, placez une petite quantité de linge dans la machine, démarrez un cycle d'essorage, puis réglez de nouveau la hauteur.

- i** Si vous stoppez le cycle d'essorage manuel avant son achèvement, le hublot reste fermé pendant 10 secondes.

**Remarque :** le réglage correct des pieds (répartition égale du poids sur les quatre pieds) est nécessaire pour minimiser les vibrations et le déplacement de l'appareil pendant le fonctionnement.

4. Utilisez la clé à fourche de 17 mm pour serrer à fond les deux contre-écrous des pieds avant sur le socle. **Tous les contre-écrous doivent être serrés à fond pour éviter que les pieds de réglage de la hauteur ne se déplacent pendant l'utilisation de l'appareil.**
5. Faites glisser les glissières à roulements à billes vers l'avant, côté socle (voir la **Figure 18**).

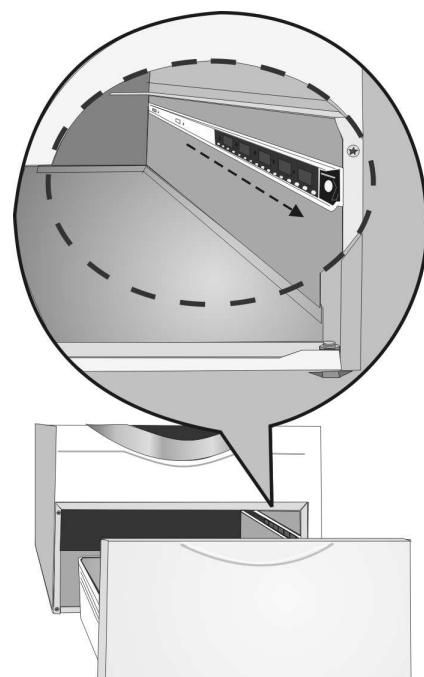
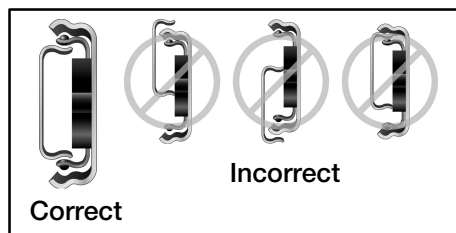


Figure 18

6. Remettez le tiroir en place en l'alignant sur les glissières. S'assurer que les glissières du socle et du tiroir sont correctement alignées (voir la **Figure 19**).



**Figure 19**

7. Fermer le tiroir.

S'assurer que les glissières du tiroir sont bien engagées de sorte que le tiroir puisse s'ouvrir et se fermer aisément.

**⚠ PRUDENCE**

Ne pas se servir du tiroir comme d'une marche.

Si vous avez des problèmes avec votre socle ou s'il a besoin d'entretien, communiquez avec **BSH Home Appliances**. Vous trouverez les coordonnées des personnes-ressources dans la section « Service à la clientèle » du manuel de l'appareil.

---

# GARANTIE

## Garantie complète d'un an sur les pièces mécaniques

Le fournisseur s'engage à réparer ou remplacer toutes les pièces mécaniques défectueuses en raison d'un défaut de matériau ou de fabrication pendant une période d'un an à partir de la date d'achat, si ce socle est installé sous une laveuse ou une sécheuse qui figure sur la liste, et s'il est utilisé selon les **instructions relatives à l'installation, à l'entretien et au fonctionnement** fournies avec l'appareil.

## Restriction de la garantie

Si le socle est utilisé à des fins autres que l'utilisation familiale privée ou s'il est installé sous un produit autre que ceux cités dans la **Notice d'installation**, la garantie est nulle et résiliée.

## Garantie de services

On peut obtenir une garantie de services en communiquant avec le détaillant où le socle a été acheté. S'il n'y a pas de détaillant, consulter les **instructions relatives à l'installation, à l'entretien et au fonctionnement** fournies avec la laveuse ou la sécheuse sous laquelle le socle est installé, pour trouver les coordonnées du service à la clientèle avec lequel on peut communiquer.

Cette garantie ne s'applique que si le socle est utilisé aux États-Unis ou au Canada\*. Cette garantie donne à l'acheteur des droits particuliers qui peuvent être assortis d'autres droits selon l'état ou la province de résidence.

\* Les conditions de la garantie peuvent différer au Canada.

Dans les espaces ci-dessous, inscrire la date d'achat du socle ainsi que les numéros de modèle et de série de l'appareil sous lequel le socle est installé.

Conserver ces instructions ainsi que la facture ou reçu de vente pour consultation future.

Date d'achat : \_\_\_\_/\_\_\_\_/\_\_\_\_

Numéro de modèle de l'appareil : \_\_\_\_\_

Numéro de série de de l'appareil : \_\_\_\_\_

# Información Importante sobre Seguridad

Por favor lea atentamente estas **Instrucciones de Instalación** junto con toda la información adicional incluida con el pedestal.

## Definiciones

### ADVERTENCIA

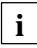
**ADVERTENCIA** – Esto significa que puede resultar la muerte o lesiones graves debido a la inobservancia de esta advertencia.

### CUIDADO

**CUIDADO** – Esto significa que pueden resultar lesiones debido a la inobservancia de esta advertencia.

### AVISO

**AVISO** – Esto significa que pueden resultar daños debido a la inobservancia de esta advertencia.

 Este símbolo se utiliza para llamar la atención del usuario respecto de algo en particular.

## Herramientas y piezas

Verifique que haya recibido las siguientes piezas y herramientas en el cajón del pedestal:

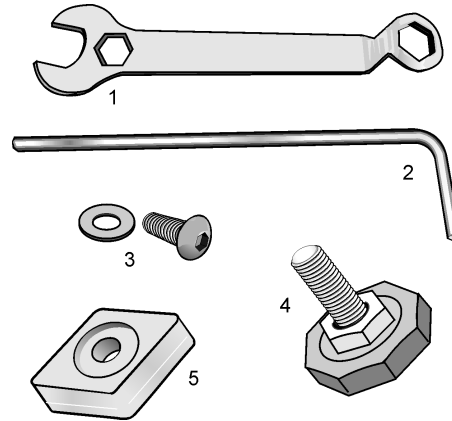
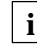


Figure 1

1. Llave de boca de 17 mm
2. Llave Allen (hexagonal) de 6 mm
3. ((4) Tornillos de cabeza hueca y (4) arandelas planas
4. (4) Patas de altura ajustable
5. (4) Separadores
6. Tarjeta de garantía (no se muestra)

## Antes de comenzar

 **Importante:** Si su electrodoméstico ya está instalado, el mismo **DEBE** ser desinstalado antes de continuar.

Si necesita desinstalar su electrodoméstico, consulte las “**Instrucciones de Funcionamiento, Cuidado e Instalación**” provistas con su electrodoméstico para verificar las herramientas y la información requeridas.

### CUIDADO

#### Peligro de Peso Excesivo

Use dos o más personas para mover y desinstalar el electrodoméstico. De lo contrario, se puede ocasionar una lesión.

### CUIDADO

**No levante el electrodoméstico junto a la puerta ni a la abertura de la puerta.**

Mantenga la puerta cerrada en todo momento durante la instalación del pedestal.

### ADVERTENCIA

El electrodoméstico no debe montarse sobre un pedestal en instalaciones apiladas.

# Preparación de su electrodoméstico

**Electrodoméstico ya instalado:** Si instala el pedestal en un electrodoméstico que ya se ha usado, comience por la sección **“Preparación de su electrodoméstico ya instalado”** que se encuentra a continuación.

**Electrodoméstico nuevo:** Si instala el pedestal en una lavadora o secadora nueva, continúe con la sección **“Preparación de su electrodoméstico nuevo”** que se encuentra en la página siguiente.

## Preparación de su electrodoméstico ya instalado

1. Retire el electrodoméstico de la pared de modo que pueda ser colocado sobre su costado izquierdo.

El paso 2 que se encuentra a continuación se aplica a las lavadoras. Para las secadoras, pase directamente al paso 3.

### AVISO

Asegúrese de que los pernos de transporte de la lavadora se hayan reinstalado antes de la instalación del pedestal para prevenir daños potenciales al tambor de la lavadora.

- i** La arandela se envió originalmente con cuatro pernos de transporte instalados para proteger el tambor durante el traslado. En las instrucciones de instalación de la arandela, se indicaba que se debían retirar estos pernos durante el montaje original. Ahora los pernos de transporte se deben reinstalar antes de la instalación del pedestal.
2. Para reinstalar los pernos de transporte:

- Ubique los cuatro conjuntos de pernos de transporte enviados originalmente con la arandela (ver **Figura 2**)

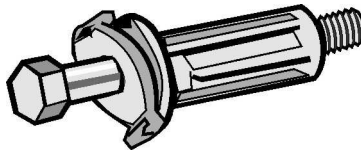


Figure 2

- Retire las cuatro cubiertas de los orificios de los pernos de transporte que se encuentran en la parte posterior de la arandela. (1) Empuje la lengüeta hacia adentro con el pulgar mientras (2) deslice la cubierta en la dirección de las dos ranuras verticales que se encuentra en la cubierta de plástico (ver **Figura 3**).

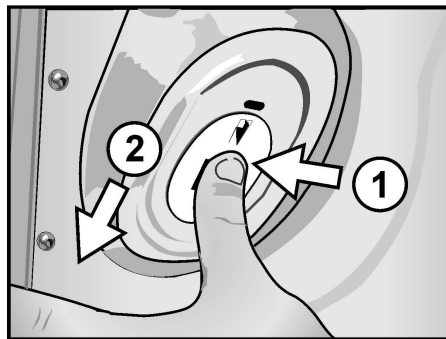
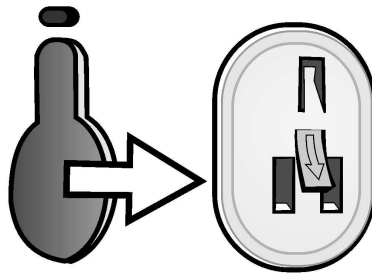


Figure 3

- Introduzca los conjuntos de pernos. Comience con la parte inferior del costado izquierdo e instale los cuatro conjuntos en sentido antihorario. Alinee cada uno de los conjuntos en el orificio hasta que el buje de plástico haya ingresado completamente en el panel posterior de la arandela y el collar rectangular esté orientado para calzar en la ranura. Esto alinea el conjunto del perno de modo

que el perno se enroscará correctamente en el tambor. Deslice el conjunto del perno en la dirección del área ranurada.

- Al instalar el primer conjunto del perno, es necesario empujar contra el tambor con el conjunto para permitir que se deslice hasta que quede en su lugar.

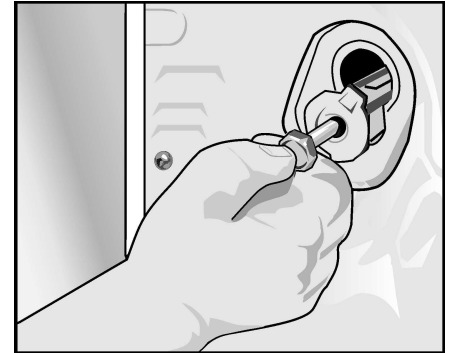


Figure 4

- Asegúrese de que la lengüeta de la arandela del perno de transporte esté introducida en la ranura que se encuentra en el panel posterior de la lavadora.

- i** No enrosque ninguno de los pernos hasta que los cuatro estén en su lugar, luego apriételes.

### AVISO

Si el buje de plástico se retira del perno antes de apretarlo, se pueden ocasionar daños al tambor.

3. Proteja el piso y el costado del electrodoméstico colocando un pedazo suficientemente grande de cartón (como la caja de cartón del pedestal) u otra cubierta protectora que resulte adecuada de modo que quede plano en el piso, a la izquierda de la unidad.

Sostenga el electrodoméstico a una distancia de entre aproximadamente 1 1/2" y 2" del piso (ver **Figura 5**).

Sugerencia útil: Pueden usarse toallas enrolladas como soporte.

## **⚠ CUIDADO**

Al levantar o bajar el electrodoméstico sobre su costado, evite deslizarlo contra el piso, ya que esto puede ocasionar una lesión o daños.

4. Coloque el electrodoméstico sobre su costado **IZQUIERDO** (ver **Figura 6**).

**Nota para las lavadoras:** Se puede observar un leve derrame de agua debido a que la lavadora está de costado.

5. Pase a la sección **“Instalación del pedestal”** de este manual.

## Preparación de su electrodoméstico nuevo

1. Coloque el electrodoméstico original empacado cerca del lugar designado para la instalación. Usando un cuchillo multiuso, corte los dos flejes de empaque.

## **AVISO**

Si se instala el pedestal en una lavadora nueva, **no retire los pernos de transporte de la arandela** antes de instalar el pedestal.

2. Retire la película de protección, los cuatro soportes esquineros y los dos pedazos de espuma del empaque.
3. Proteja el piso y el costado del electrodoméstico colocando un pedazo suficientemente grande de cartón (como la caja de cartón del pedestal) u otra cubierta protectora que resulte adecuada de modo que quede plano en el piso, a la izquierda de la unidad.

Sostenga el electrodoméstico a una distancia de entre aproximadamente 1 1/2” y 2” del piso.

**Sugerencia útil:** Coloque los dos soportes esquineros del empaque de su electrodoméstico (ver **Figura 5**).

Si no se dispone de soportes esquineros, se pueden usar otros artículos, tal como toallas enrolladas.

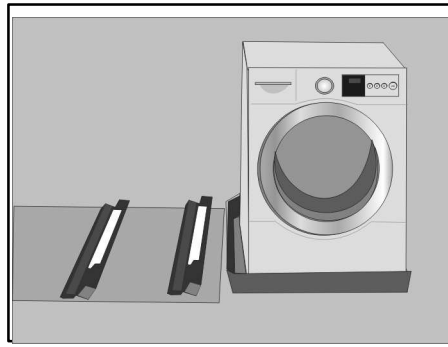


Figure 5

4. Coloque el electrodoméstico sobre su costado **IZQUIERDO** (ver **Figura 6**).

**Nota para las lavadoras:** Se puede observar un leve derrame de agua debido a que la lavadora está de costado.

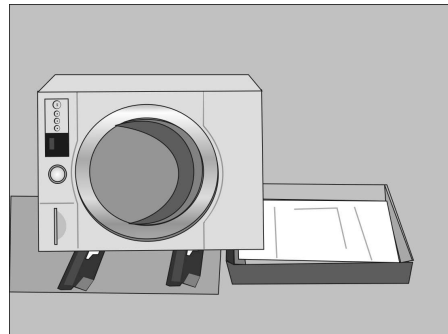


Figure 6

5. Retire la parte inferior del empaque.
6. Pase a la sección **“Instalación del pedestal”** de este manual.

## Instalación del pedestal

### **⚠ CUIDADO**

No coloque los dedos cerca de la parte inferior del pedestal cuando mueva el cajón.

Si lo hace, puede apretarse los dedos o sufrir una cortadura.

1. Retire las patas instaladas originalmente en el electrodoméstico (ver **Figura 7**). **NO** vuelva a instalar estas patas en el pedestal. Conserve las patas en caso de que después sea necesario volver a instalar el electrodoméstico sin el pedestal.

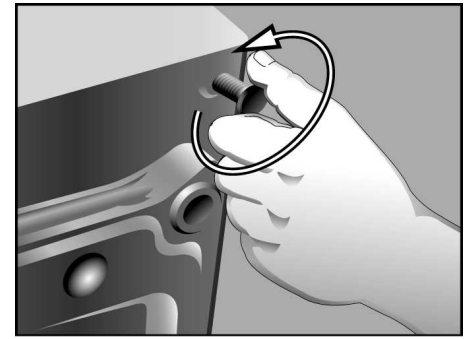


Figure 7

2. Proteja el piso y el costado del electrodoméstico colocando un pedazo suficientemente grande de cartón u otra cubierta protectora que resulte adecuada de modo que quede plano en el piso, debajo del pedestal.

Retire el cajón del pedestal presionando las palancas de liberación ubicadas en los rieles de deslizamiento del cajón. Coloque el cajón a un lado.

**Sugerencia útil:** Se recomienda tener un ayudante que sostenga la carcasa del pedestal durante la extracción del cajón.

Empuje hacia **arriba** la palanca de liberación del costado **izquierdo** y hacia **abajo** la palanca de liberación del costado **derecho** mientras retira el cajón (ver **Figura 8**).

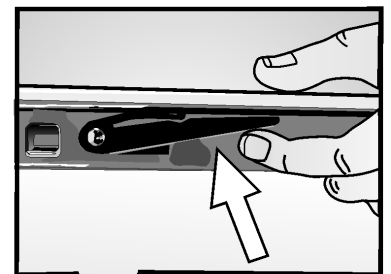


Figure 8

## CUIDADO

### Peligro de Peso Excesivo

Use dos o más personas para instalar el pedestal. De lo contrario, se puede ocasionar una lesión.

3. Coloque la parte superior del pedestal contra la parte inferior del electrodoméstico..

Asegúrese de que la abertura del cajón del pedestal y la puerta del electrodoméstico queden en la misma dirección (ver **Figura 9**).

**Sugerencia útil:** El empaque de espuma puede usarse para ayudar a alinear el pedestal con el electrodoméstico.

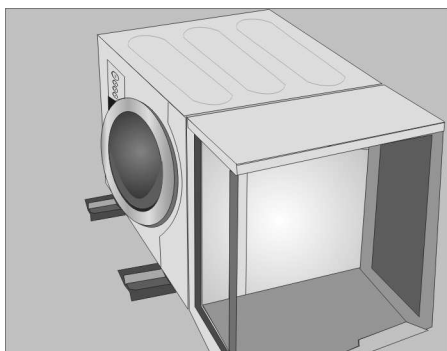


Figure 9

4. Usando la llave Allen (hexagonal) de 6 mm, instale los tornillos de cabeza hueca y las arandelas planas (ver **Figura 10**).

Inserte el separador cuadrado entre el alojamiento del pedestal y el alojamiento del electrodoméstico. Sosteniendo el separador en su lugar, inserte un perno de modo que pase por la arandela plana, el alojamiento del pedestal y luego el separador, hasta que llegue al manguito roscado que sobresale en la base del electrodoméstico. Repita el procedimiento con los cuatro pernos.

Asegúrese de que el lado tramado de cada separador apunte hacia abajo, en dirección a la base del pedestal. El separador debe calzar contra el alojamiento del electrodoméstico. Alinee los bordes externos del separador con el electrodoméstico y los alojamientos del pedestal.

Enrosque sin ajustar demasiado los cuatro pernos con las arandelas y los separadores en su lugar, antes de apretar completamente cualquiera de los pernos.

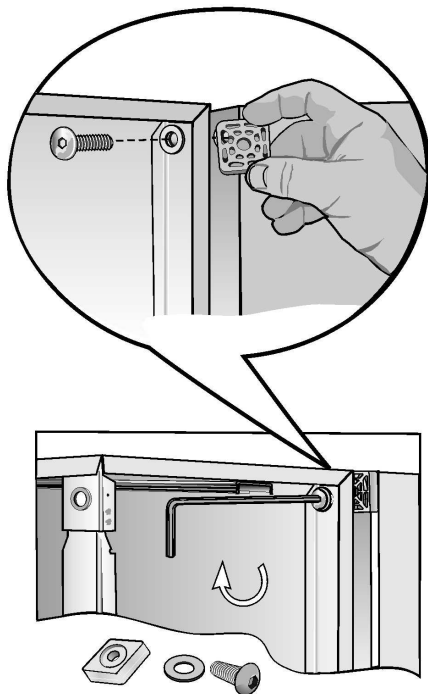


Figure 10

Use la llave para **APRETAR A MANO** todos los tornillos. (Ver **Figura 10**).

**Sugerencia útil:** No apriete completamente ningún tornillo hasta que no hayan sido colocados todos los tornillos en sus roscas.

Después de apretar a mano todos los tornillos, use la llave para apretarlos de 1/3 a 1/2 vuelta más (ver **Figura 11**).

**Nota:** El par de apriete para los tornillos del pedestal es de 10 pie-libra (14 Nm) a 13 pie-libra (18 Nm) como mínimo.

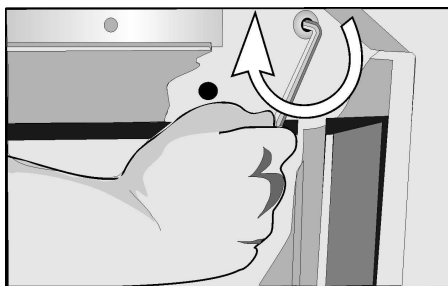


Figure 11

5. Instale las cuatro patas nuevas incluidas con el pedestal. Atornille las patas a los orificios roscados de las esquinas en la base del pedestal.

## AVISO

**Use solamente las patas provistas con el pedestal.** No use las patas incluidas originalmente con el electrodoméstico.

Usando la llave de boca de 17 mm provista, apriete solamente las dos contratuercas de las patas traseras contra la carcasa del pedestal (ver **Figura 12**).

Deben apretarse a mano solamente las dos patas delanteras para poder nivelar después el electrodoméstico.

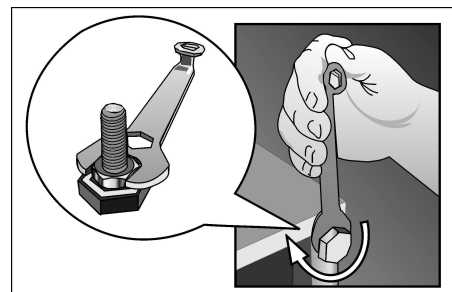


Figure 12

## CUIDADO

Al levantar el electrodoméstico, tenga cuidado de no permitir que se deslice contra el piso.

Si el electrodoméstico se desliza, puede ocasionar una lesión o daños.

6. Coloque el conjunto del electrodoméstico y el pedestal en posición vertical (se necesita un ayudante, ver **Figura 13**).

## **⚠ CUIDADO**

Evite sujetar el electrodoméstico por el pedestal al levantarlo.

Para evitar dañar el pedestal, no use una carretilla de mano para levantar o mover el electrodoméstico una vez que se ha instalado el pedestal.

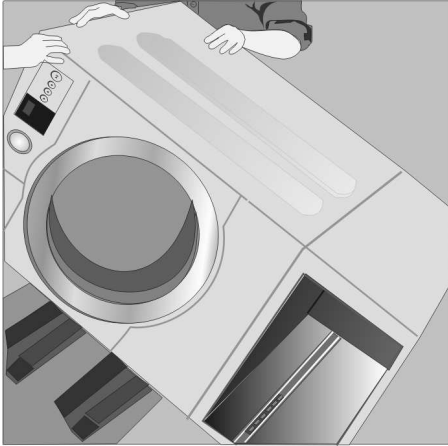


Figure 13

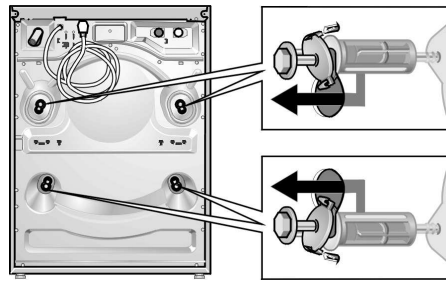
**El paso 7 que se encuentra a continuación se aplica a las lavadoras. Para las secadoras, pase directamente al paso 8.**

7. Retire los pernos de transporte.

## **⚠ CUIDADO**

Deben sacarse todos los tornillos de transporte antes de utilizar la lavadora por primera vez, guardándoselos para un transporte posterior (p. ej. en caso de mudanza).

- ❑ Aflojar los cuatro tornillos antes de retirar los demás tornillos del aparato.
- ❑ Retirar primero los dos tornillos inferiores y a continuación los dos tornillos superiores.
- ❑ Aflojar los tornillos con la boca en estrella de la llave de 1/2" suministrada con el aparato. Aflojarlos hasta poder retirarlos libremente.
- ❑ Los tornillos inferiores empotrados se pueden aflojar con más facilidad utilizando una llave de vaso de 1/2" (boca de 13 mm).



- ❑ Afloje los tornillos usando la llave de 1/2" provista, hasta que se puedan mover libremente.
- ❑ Quite completamente los pernos (perno, resorte, arandela, y los bujes) introduciendo la mano a través de la puerta de la máquina de lavar y triando el tambor ligeramente hacia delante.
- ❑ Si los bujes no salen al quitar los tornillos, vuelva a introducir los mismos nuevamente en los bujes, intentando luego nuevamente con cuidado. Es importante efectuar esta operación con los tornillos, de lo contrario los bujes no salen adecuadamente.

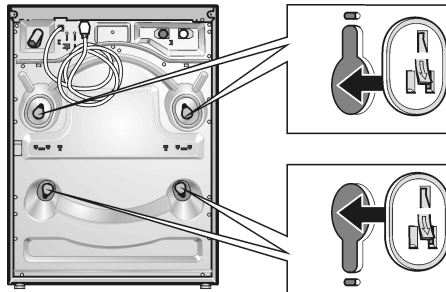


Figure 15

- ❑ Inserte las coberturas hasta que queden trabadas con un sonido audible.

### **Almacenamiento de los pernos de transporte**

Guarde siempre los pernos de transporte, para disponer de ellos en caso de transportes posteriores (p. ej. en caso de mudanza).

- ❑ Guarde los pernos de transporte conjuntamente con las arandelas y los bujes colocados.

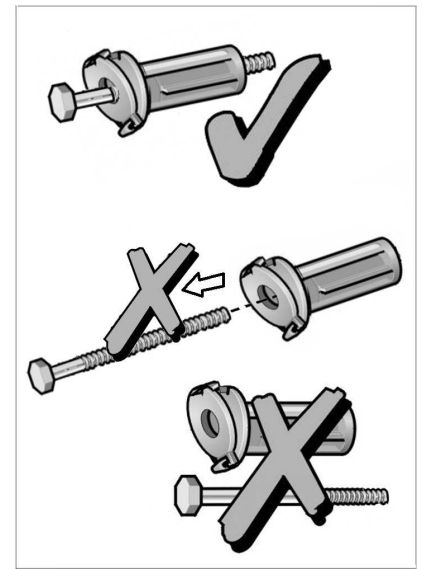


Figure 16

8. Siga las instrucciones de instalación provistas con su electrodoméstico para terminar de instalar o reinstalar su electrodoméstico (es decir, mangueras, respiraderos, etc.)
9. Deslice el electrodoméstico al lugar designado para la instalación.

## Procedimiento de nivelación

1. El electrodoméstico debe encontrarse ahora en su posición definitiva, preparado para ser nivelado (moverlo después de su nivelación, puede dejarlo nuevamente desnivelado.)

Cada pata de la lavadora o de la base debe encontrarse firmemente apoyado en el suelo, a fin de prevenir el tambaleo.

Comenzar con las cuatro patas enroscadas tanto como sea posible, volviendo a desenroscarlas la cantidad necesaria a fin de nivelar la lavadora. Mueva las patas lo menos posible para ayudar a reducir la vibración.

2. Utilizar el nivel para nivelar el frente respecto de la parte posterior y un lado respecto del otro de la lavadora (asegurarse que el nivel asiente sobre las esquinas de la lavadora y no se encuentra elevado en un extremo respecto del otro en una depresión de la superficie de la lavadora.)

- ❑ Colocar el nivel de burbujas en diagonal sobre el aparato y verificar si está nivelado.
- ❑ Si la burbuja se encuentra en el centro del nivel, el aparato está nivelado. De lo contrario habrá que modificar el ajuste en altura del soporte afectado, tal como se ha explicado anteriormente, hasta que el aparato esté nivelado. Un consejo práctico: Si la burbuja se encontrara más cerca de un lado que del otro, esto significa que dicho lado está más alto. Para nivelar el aparato, bajar el lado más alto o elevar el lado opuesto.
- ❑ Tras realizar la nivelación del aparato de un lateral al otro, girar el nivel de burbujas en 90° y repetir la operación.

- ❑ Afloje la contratuerca (ver **Figura 17, elemento 1**) girándola en sentido horario. Use la llave provista (o una llave de boca de 5/8" – 16 mm). Cuando gire la contratuerca, la pata (ver **Figura 17, elemento 2**) contra la que está bloqueada girará con ella. Esto extenderá la altura de la pata.

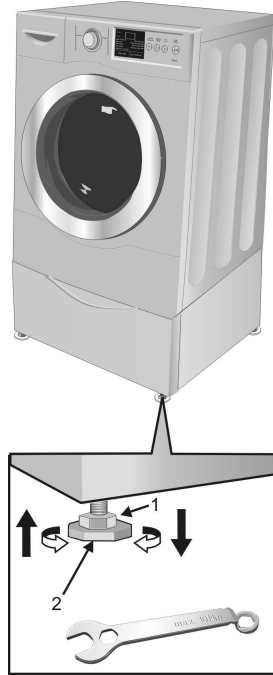


Figure 17

- ❑ Desenroscando la pata (sentido horario), se elevará la esquina de la lavadora, enroscándola (sentido antihorario), la esquina correspondiente descenderá.

Si la esquina se encuentra a la altura adecuada, ajustar la pata en esa posición, girando la contratuerca en sentido antihorario, hasta que quede correctamente ajustada contra la carcasa de la lavadora.

- i** Puede ser necesario sujetar la pata de la lavadora con unas tenazas a fin de evitar que gire mientras se ajusta la contratuerca. Si la pata puede girar, la esquina modificará su altura.

- ❑ Una vez efectuados los ajustes preliminares, presionar sobre cada esquina de la lavadora, a fin de asegurarse que no tambalee. Si tambalea, bajar la pata de la esquina en cuestión, hasta que toca el suelo firmemente.

3. **Para las lavadoras:** Ajuste la nivelación colocando una pequeña carga de ropa en la máquina, comenzando con el ciclo de centrifugado y luego volviendo a nivelar el electrodoméstico.

- i** En caso de interrumpir manualmente el ciclo de centrifugado de ensayo antes de su conclusión, la puerta de carga puede permanecer bloqueada durante 10 segundos.

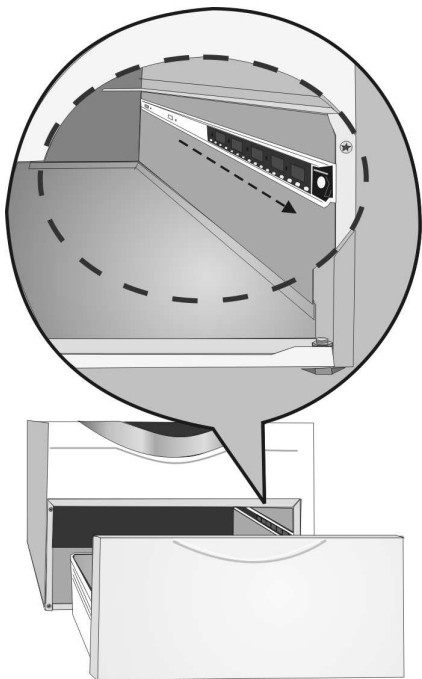
**Nota:** Es necesario un ajuste correcto de las patas (distribución igual del peso en todas las patas) para minimizar la vibración y el movimiento del electrodoméstico durante el funcionamiento.

4. Use la llave de boca de 17 mm provista para apretar firmemente contra el pedestal ambas contratuercas de las patas delanteras. **Es necesario apretar firmemente todas las contratuercas de las patas delanteras para evitar que las patas de ajuste de altura se muevan durante el uso del electrodoméstico.**
5. Deslice los rieles de rodamientos de bolas que se encuentran en el costado del pedestal hacia adelante (ver **Figura 18**).



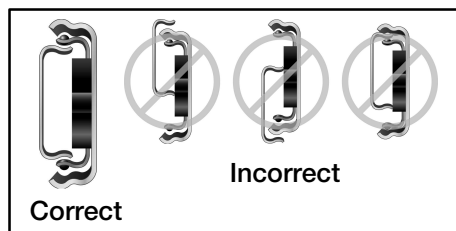
### CUIDADO

PARA EVITAR RIESGO DE LESIONES – Tenga cuidado mientras usa la llave.



**Figure 18**

6. Vuelva a colocar el cajón alineándolo con las correderas del cajón. Asegúrese de que las correderas del pedestal y del cajón estén correctamente alineadas (ver **Figura 19**).



**Figure 19**

7. Coloque el cajón en las correderas.

Cierre el cajón. Asegúrese de que las correderas estén correctamente enganchadas de modo que el cajón pueda abrirse y cerrarse libremente.

**⚠ CUIDADO**

No use el cajón como un peldaño.

Si tiene problemas con el pedestal o si necesita servicio, póngase en contacto con **BSH Home Appliances**. La información de contacto se encuentra en la sección "Servicio a los Clientes" del manual del electrodoméstico.

---

# GARANTÍA

## Garantía completa de un año para las piezas mecánicas

Durante un año a partir de la fecha de compra, cuando este pedestal sea instalado con la lavadora o secadora indicadas y usado de acuerdo con las instrucciones provistas en las **Instrucciones de Instalación, Cuidado y Funcionamiento**, el proveedor reparará o reemplazará cualquiera de sus piezas mecánicas que presente defectos de material o de fabricación.

## Restricción de la Garantía

Si el pedestal se utiliza para otros fines que no sea uso doméstico normal y/o se utilice con cualquier otro producto no indicado en las **Instrucciones de Instalación**, la garantía queda nula e inválida.

## Reparación bajo la Garantía

La reparación bajo la garantía está disponible poniéndose en contacto con el vendedor minorista donde compró el pedestal. Si el vendedor minorista no está disponible, por favor consulte las **Instrucciones de Funcionamiento, Cuidado e Instalación** incluidas con la lavadora o secadora en la cual se instaló el pedestal y póngase en contacto con el departamento de servicio que allí se indica.

Esta garantía es válida solamente para aquellos pedestales que se usen en Estados Unidos y Canadá\*. Esta garantía le otorga derechos específicos y usted también puede tener otros derechos que varían de un estado a otro o de una provincia a otra.

\*Los términos de la garantía pueden variar en Canadá.

Anote en el espacio provisto a continuación la fecha de compra del pedestal y el número de modelo y de serie del electrodoméstico en el cual se encuentra instalado el pedestal.

Conserve estas instrucciones y su recibo de compra para referencia futura.

Fecha de Compra \_\_\_\_/\_\_\_\_/\_\_\_\_

Número de Modelo del Electrodoméstico \_\_\_\_\_

Número de Serie del Electrodoméstico \_\_\_\_\_