

SPECIFICATIONS

DESCRIPTION

- 1/2" female NPT inlet **FLOW**
- 10 GPM/38 LPM at 60 PSI

STANDARDS

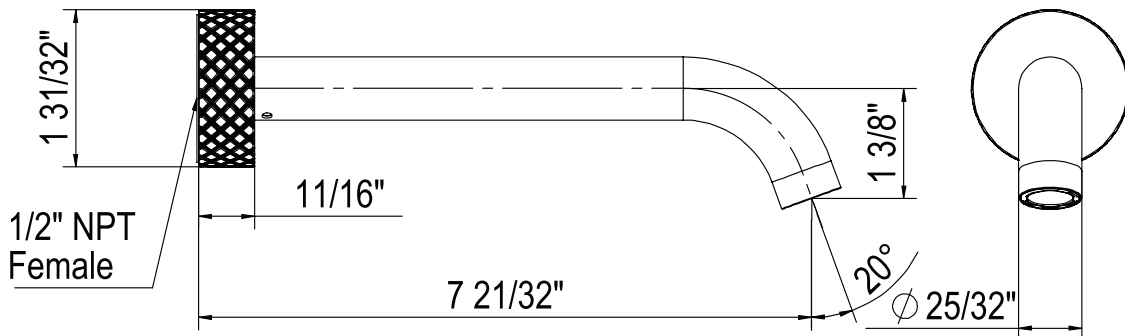
- ASME A112.18.1/CSA B125.1



Tenerife™
Wall Mount Tub Spout

MODEL: TE16W1

cUPC®



For warranty or additional information, contact:

U.S.A.
houseofrohl.com/support
1-800-777-9762

QUEBEC / MARITIMES / WESTERN CANADA
QUÉBEC / MARITIMES / OUEST CANADIEN
QUEBEC / MARITIMOS / CANADA OCCIDENTAL
houseofrohl.ca/support
1-866-473-8442

ONTARIO
houseofrohl.ca/support
1-800-287-5354

SPÉCIFICATIONS

DESCRIPTION

- Entrée d'eau 1/2" femelle

NPT DÉBITS DISPONIBLES

- 10 GPM/38 LPM à 60 PSI

CERTIFICATION

- ASME A112.18.1/CSA B125.1

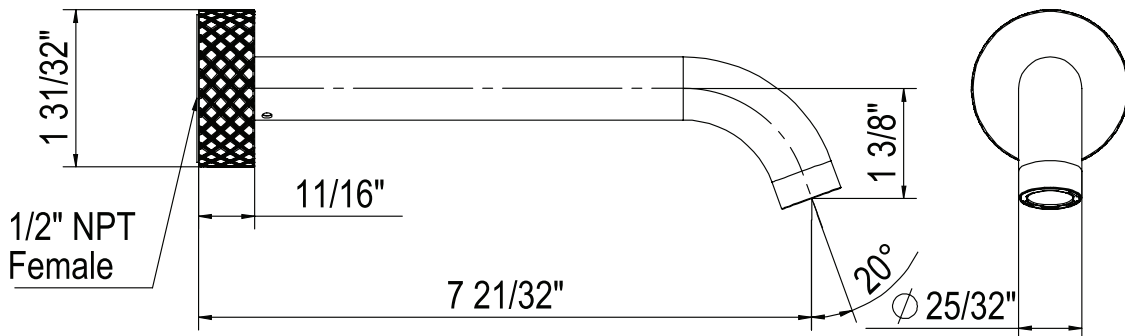


Tenerife™

Bec de bain mura

MODÈLES: TE16W1

cUPC®



For warranty or additional information, contact:

U.S.A.
houseofrohl.com/support
1-800-777-9762

QUEBEC / MARITIMES / WESTERN CANADA
QUÉBEC / MARITIMES / OUEST CANADIEN
QUEBEC / MARITIMOS / CANADA OCCIDENTAL
houseofrohl.ca/support
1-866-473-8442

ONTARIO
houseofrohl.ca/support
1-800-287-5354

ESPECIFICACIONES

DESCRIPCIÓN

- Entrada de agua 1/2" hembra NPT

FLUIR

- 10 GPM/38 LPM a 60 PSI

NORMAS

- ASME A112.18.1/CSA B125.1

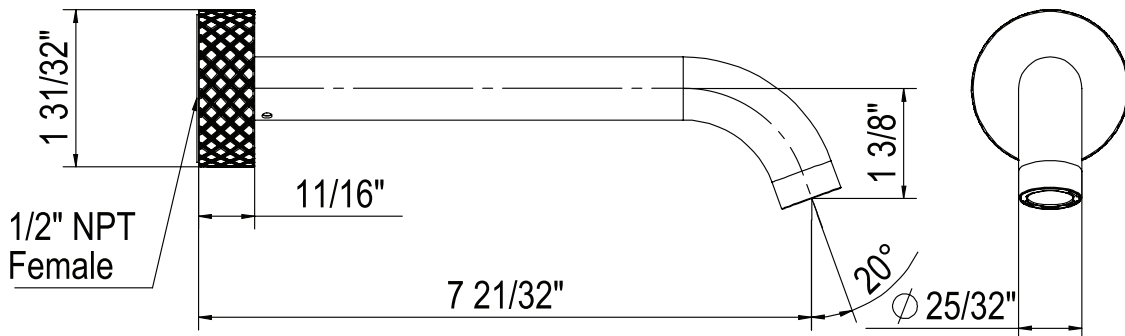


Tenerife™

Caño de bañera de pared

MODELOS: TE16W1

cUPC®



For warranty or additional information, contact:

U.S.A.
houseofrohl.com/support
1-800-777-9762

QUEBEC / MARITIMES / WESTERN CANADA
QUÉBEC / MARITIMES / OUEST CANADIEN
QUEBEC / MARITIMOS / CANADA OCCIDENTAL
houseofrohl.ca/support
1-866-473-8442

ONTARIO
houseofrohl.ca/support
1-800-287-5354