

### FEATURES

- Electronic elongated bidet seat
- Gentle aerated, warm water, dual-action spray with oscillating and pulsating features
- Adjustable water temperature and volume settings
- Warm air drying with three variable temperature settings
- Automatic air deodorizer
- SoftClose® seat
- Multifunction remote control with 4-users personalized memory settings
- Docking station for easy cleaning and installation
- Heated seat with temperature control
- Water PREMIST® of bowl before each use

### MODELS

- T1SW2491

### COLORS/FINISHES

- #01 Cotton

### PRODUCT SPECIFICATION

Seat shall have gentle aerated, warm water, dual action spray with cycling movement and massage feature. Seat shall have adjustable water temperature and volume. Seat shall have warm air drying with three variable temperature settings. Seat shall have automatic air deodorizer. Seat shall include convenient wireless remote control. Seat shall be solid plastic with closed front seat and cover. Seat shall include power cord, and water supply hoses. Seat shall be model T1SW2491#\_\_\_\_\_.



### CODES/STANDARDS

- Meets and exceeds standards ASME A112.4.2/CSA B45.16, ASME A112.18.1/CSA B125.1, UL 1431, CSA C22.2#68
- Certifications: IAPMO(cUPC), State of Massachusetts, City of Los Angeles and others
- Code Compliance: UPC, IPC, NSPC, NPC Canada, and others
- Complies with CA Prop 65 warning requirements
- Backflow protection is integral to the device and meets backflow testing per ASSE 1001 and CSA B64.1.1



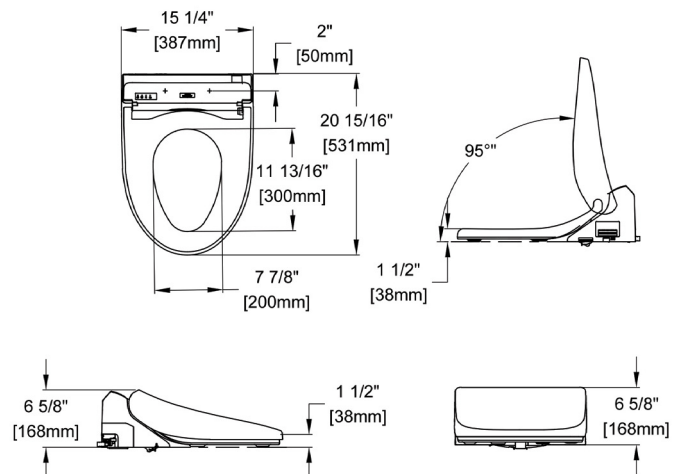
### SPECIFICATIONS

<b>Power Rating</b>	AC 120 V 60 Hz
<b>Power Consumption</b>	404W
<b>Max Power Consumption</b>	514W
<b>Power Cord Length</b>	3.9 ft (1.2 m)
<b>Spray Volume</b>	Rear Cleansing: 0.07 – 0.11 gal/min  Front Cleansing: 0.08 – 0.11 gal/min
<b>Spray Features</b>	Adjustable Surface Temp: 95 – 104 °F (35 – 40 °C)  Safety Device: Temperature Fuse
<b>Warm Air Dryer Features</b>	Adjustable Air Temp: 95 – 140 °F (35 – 60 °C)  Airflow Volume: 8.83 ft <sup>3</sup> /min (0.25 m <sup>3</sup> /min)  Safety Device: Temperature Fuse
<b>Heated Seat Features</b>	Adjustable Surface Temp: 82 – 97 °F (28 – 36 °C)  Safety Device: Temperature Fuse
<b>Water Supply Pressure</b>	Minimum: 7.25 PSI (Dynamic)  Maximum: 108.78 PSI (Static)
<b>Ambient Temp.</b>	32 – 104 °F (0 – 40 °C)
<b>Warranty</b>	One Year Limited Warranty
<b>Shipping Weight</b>	T1SW2491 17lbs
<b>Shipping Dimensions</b>	T1SW2491 24-1/2" L x 19-1/4" W x 8-1/2" H

### INSTALLATION NOTES

- WASHLET may not fit certain toilet bowl designs
- If you have general questions or are uncertain if the Washlet will fit your toilet, please contact our TOTO Customer Service/Tech Services, or consult the Washlet fit guide or Toto website for more information.
- For use with potable water only. Do not use with recycled water.
- It is highly recommended to use a surge protector to prevent damage in the event of a power surge.
- The following factors may affect IR signal strength and top unit operation: product and remote control location, room size, shape, construction materials, and degree of darkness (color) of ceiling and walls.
- Consult local electric code for GFCI location and installation requirements.

### DIMENSIONS



GFCI outlet of 120V, 15amps.  
Power cord is 3.9' long with 3 prongs.