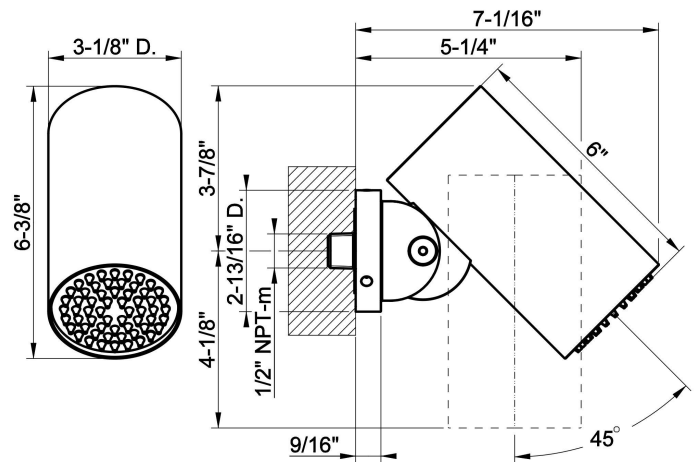


Wall-mounted adjustable showerhead TRAME. Rain function



#### TECHNICAL FEATURES

- Presence of water supply connections: Si
- Connection hoses: No
- Water supply connections: 1/2" NPT-M
- Height: 161 mm
- Width: 79 mm
- Depth: 180 mm
- Electronics: No
- Customizable product: No
- Number of water outlets: 1
- Simultaneous outlets: Non-simultaneous and non-independent outlets
- Showerhead presence: Showerhead included
- Shower arm presence: Shower arm included
- Showerhead shape: Round
- Showerhead size: Ø79
- Showerhead type: Single-jet
- Showerhead jet type: RAINFALL
- Lighting presence: No
- Adjustable product: Adjustable product
- Orientation angle: 45°



#### CERTIFICATIONS

- MASS, CSA recognized
- Product with water/energy saving system in accordance with CEC rules

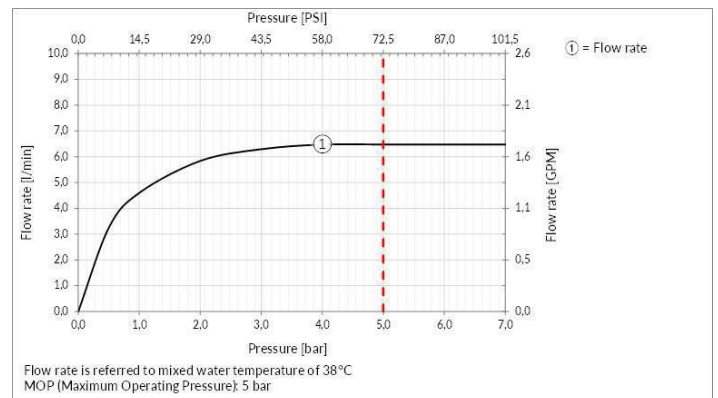
Production managed by a certified Quality System compliant with ISO 9001:2015 For additional approved contact Gessi S.P.A.

#### TECHNICAL PRESCRIPTION

- Test watertight and cleaning of the pipes before installing the tap.
- In order to guarantee a long duration of the product and its total functionality install a filter.
- Working maximum pressure value 72,5 PSI - in case of higher pressure, to use a pressure reducer.
- Working pressure for an optimal installation: 43,5 PSI.
- In any case please refer to the instruction manual and warranty provided with the product.
- Supply the product with mains water with a maximum temperature of 70°C and for short periods of use.

#### INDICATIONS FOR CLEANING

Clean only with a new microfiber cloth and soapy water and dry with a dry cloth. Detergents, solvents, alcohol, abrasive sponges, wire, wool, alcohol, etc., should not be used as these could irreparably damage product surfaces compromising its aesthetics and brilliance.





## ACCESSORIES AND FITTINGS

For additional matching bathroom accessories and fittings available, see official Gessi price list.

## FINISHES CHARACTERISTICS

### CHROME

Gessi products have a Chromium Plating finish. This is a high-quality coating composed of a first layer of nickel, a second layer of chromium, a very shiny appearance, high resistance to corrosion and abrasion.

### LAQUERED

Gessi products have an industrial lacquer finish. This coating is obtained by means of a special industrial process that involves spraying the lacquer onto the product with a subsequent firing process at a high temperature. The lacquer used is of the highest quality and ensures maximum resistance and durability. The different lacquer types depend on the product type.

### PVD COLORS

Gessi products have a PVD finish. This coating is obtained through the PVD (Physical Vapour Deposition) process, which is a state-of-the-art coating process that is highly resistant to abrasion and corrosion. The process is carried out in a vacuum chamber, where the material to be deposited is heated and vaporized, and then condensed onto the product to be coated. The result is a thin, uniform, and highly resistant film.

### STAINLESS STEEL

Gessi products have a solid Stainless Steel finish. This is a very high-quality finish, with a very high resistance to corrosion and abrasion. The finish is obtained by means of a special brushing process, which gives the product a very elegant and modern appearance. The finish is also very easy to clean and maintain.

For additional finishes contact Gessi S.P.A.