

KALLISTA®

Per Se® by KALLISTA
Single-control sink faucet
P26625-00

Features

- High-quality solid-brass construction for durability and reliability
- Spout reach is 4-7/8" (124 mm)
- Spout height is 6-1/2" (165 mm)
- Includes metal pop-up drain with 1-1/4" metal tailpiece
- Single-hole installation
- 1.2 gpm (4.5 lpm) maximum flow rate
- A selection of products within this collection is in stock and ready to ship. Please visit kallista.com/readytoship for the complete list of Ready-to-Ship products and finishes



Recommended Products/Accessories

- P34706-00 Hook
- P24669-00 Towel ring
- P34700-00 Towel Bar
- P34702-00 Towel Bar, 12"
- P34701-00 Towel Bar, 18"
- P34708-00 Toilet Paper Holder



ADA **CSA B651** **OBC**

Codes/Standards

ASME A112.18.1/CSA B125.1
NSF/ANSI/CAN 61
NSF/ANSI/CAN 372
All applicable US Federal and State material regulations
DOE - Energy Policy Act 1992
EPA WaterSense®
California Energy Commission (CEC)
ADA
ICC/ANSI A117.1
CSA B651
OBC
IAPMO Certification

KALLISTA® Five-Year Limited Warranty

See website for detailed warranty information.

Available Colors/Finishes

Color tiles intended for reference only.

Color	Code	Description
	CP	Polished Chrome
	BAF	Brushed French Gold
	AF	French Gold
	SN	Polished Nickel
	BN	Vibrant® Brushed Nickel

1-888-4-KALLISTA (1-888-452-5547)

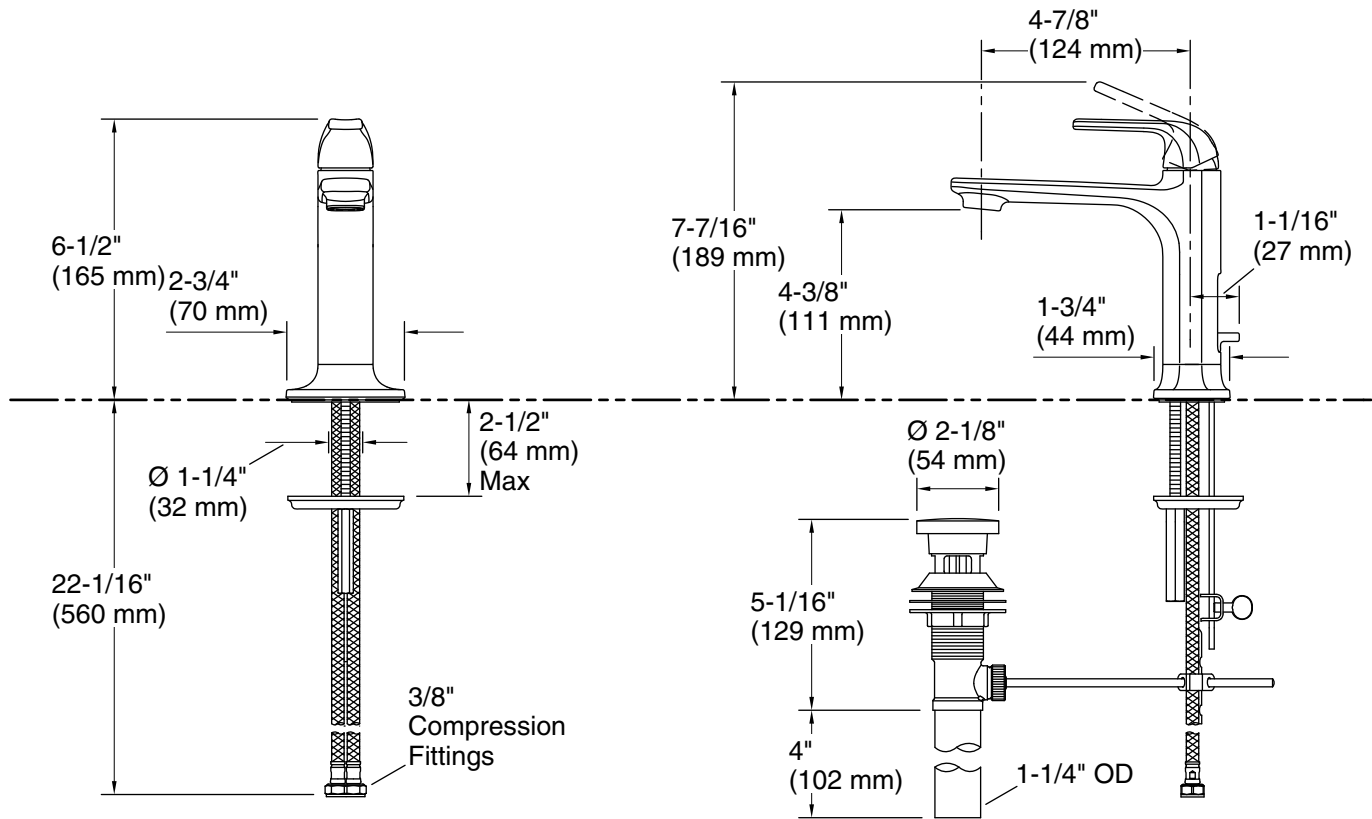
Kallista reserves the right to make revisions without notice to product specifications.

For the most current Specification Sheet, go to www.kallista.com.

2-25-2024 22:26 - US

KALLISTA

Per Se® by KALLISTA
Single-control sink faucet
P26625-00



Technical Information

All product dimensions are nominal.

Faucet:

Flow rate: 1.2 gal/min (4.5 l/min)

Pressure: 60 psi (4.1 bar)

Drain included: Yes

Drain with
overflow: Yes

Spout:

Spout reach: 4-7/8" (123 mm)

Notes

ADA, OBC, CSA B651 compliant when installed to the specific requirements of these regulations.